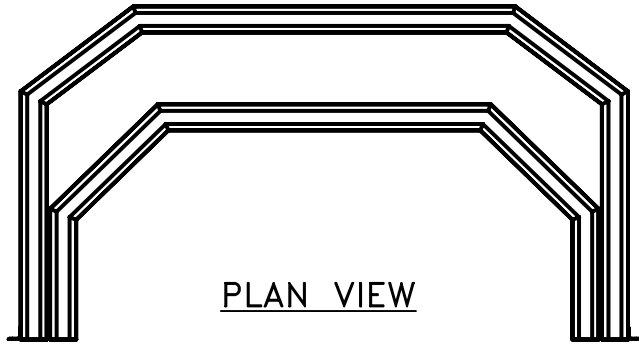
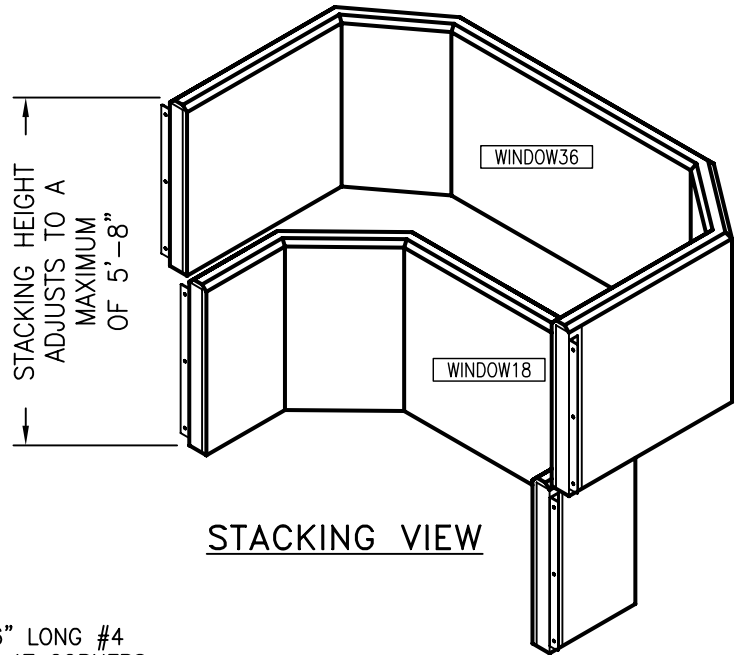


| PART NO.   | DESCRIPTION                               | QTY. |
|------------|---|------|
| STEELA214  | 2 1/2"x2 1/2" x 1/4" x 2'-10" STEEL ANGLE | 4    |
| COILSLC034 | B-16 3/4"x6" STRAIGHT COIL LOOP INSERT    | 4    |

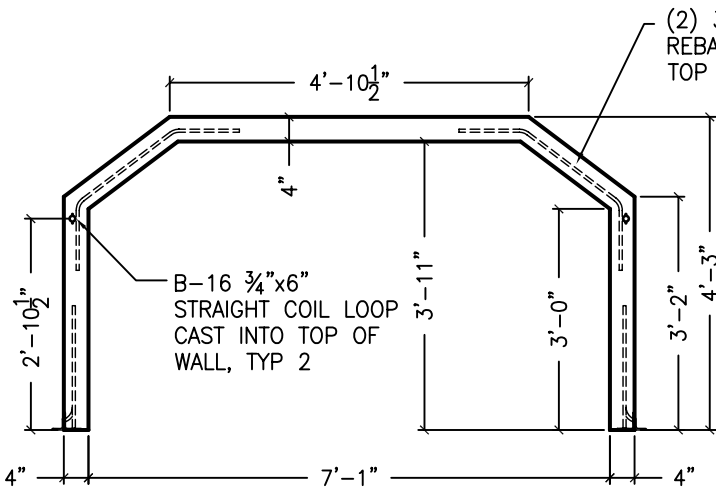


PLAN VIEW

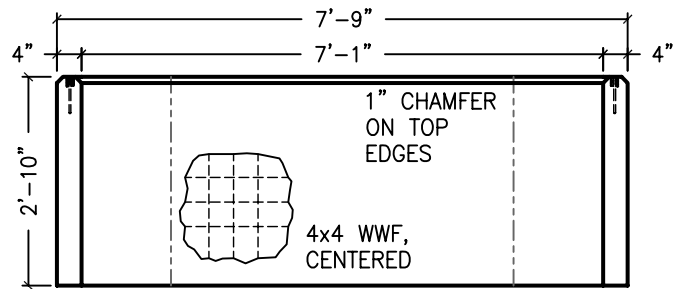


STACKING VIEW

STACKING HEIGHT  
ADJUSTS TO A  
MAXIMUM  
OF 5'-8"

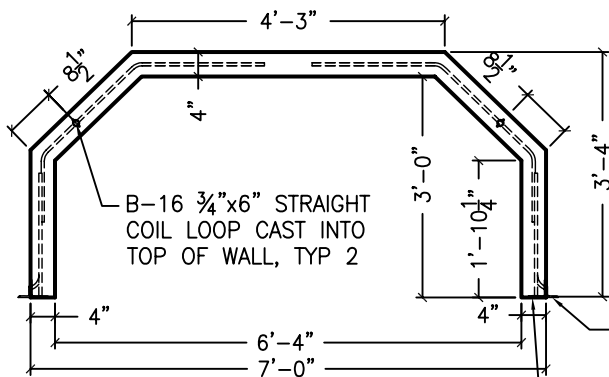


PLAN VIEW



INSIDE VIEW

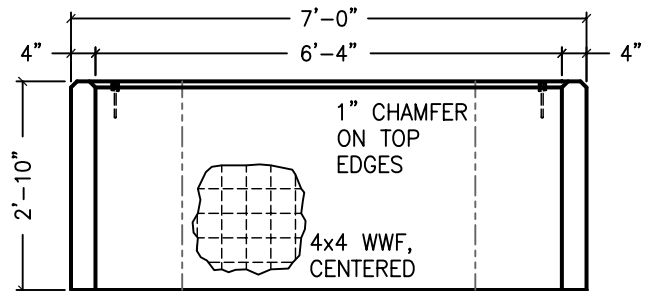
LARGE WINDOW WELL (TOP)



PLAN VIEW

2 1/2"x2 1/2"x1/4" STEEL ANGLE WELDED ON FOR BOLTING TO HOUSE, TYP 2

3"x3"x1/4" STEEL ANGLE WITH (5) 20" #4 REBAR ATTACHED, TYP 2



INSIDE VIEW

SMALL WINDOW WELL (BOTTOM)

COLOR: STANDARD GREY CONCRETE (OR COLORED CONCRETE MADE TO ORDER)  
FINISH: SMOOTH FORM FINISH  
04/10/09

WEIGHT/CONCRETE:  
LARGE: 2,019 LBS/0.50 CY  
SMALL: 1,681 LBS/0.38 CY

COLORADO PRECAST CONCRETE, Inc.  
1820 E. HIGHWAY 402, LOVELAND, CO 80537  
(970) 669-0535 FAX (970) 669-0674  
www.coloprecast.com



ITEM NAME:

SET OF TWO WINDOW WELLS