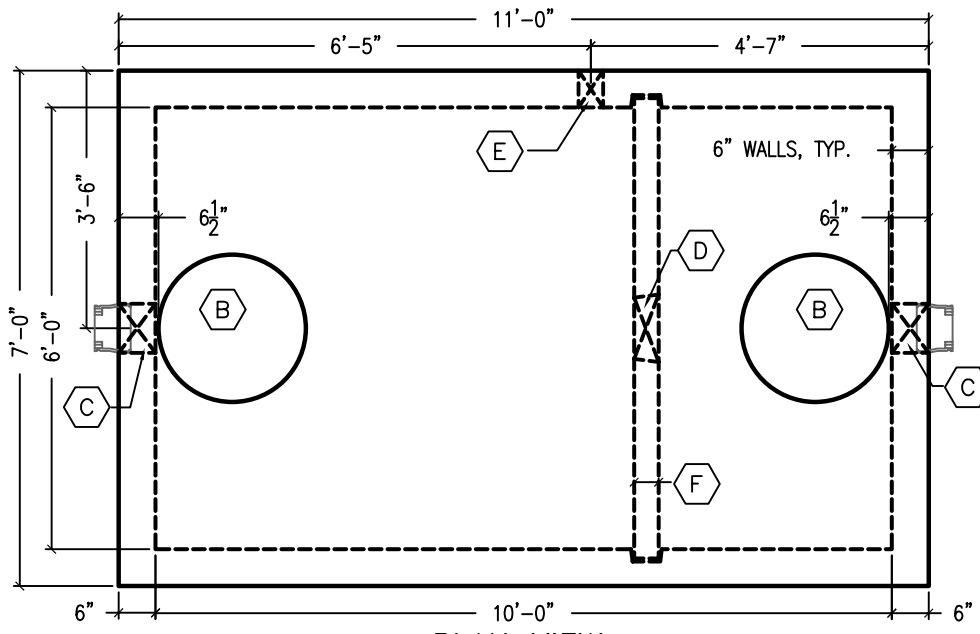
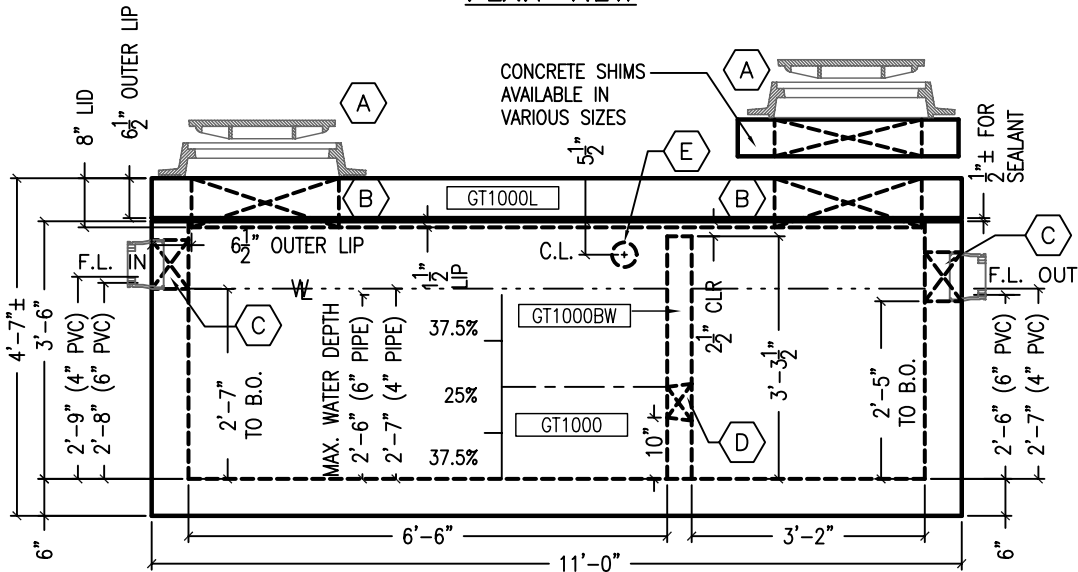


PART NO.	DESCRIPTION	QTY.
KOR02	KOR-N-SEAL S106-8SWP (4.2-5.5-6.4)	2
4PVC40C	4" SCH 40 COUPLING	1
RUB15ROLL	1 1/2" BUTYL MASTIC SEALANT ROLL	3
ANCHU4	4-TON UTILITY ANCHOR #6UA444	8
LIFTWRLL14	1/4"x8 1/2" GALV. WIRE ROPE LIFT	2
CIA1043RC	D&L A-1043 RING	2
CIA1161CG	D&L A-1161 XH COVER STAMPED "GREASE INTERCEPTOR"	2



**PLAN VIEW**



**SIDE VIEW**

1. SECONDARY COMPARTMENT HAS VOLUME EQUAL TO APPROXIMATELY 1/3 OF THE TOTAL CAPACITY.
2. JOINT BETWEEN LID AND VAULT TO BE SEALED WITH 1 ROW 1-1/2" BUTYL MASTIC SEALANT PROVIDED BY C.P.C.
3. BAFFLE WALL TO BE A SEPARATE POUR AND INSTALLED BY C.P.C. BEFORE DELIVERY.

- (A) D&L 24"Ø CAST IRON RING & COVER
- (B) 24"Ø BLOCKOUT IN LID
- (C) 8"Ø B/O FOR S106-8SWP (4.2"-6.4" OD) KOR-N-SEAL BOOT FOR 4" OR 6" PVC
- (D) 10" WIDE x 5" HIGH BLOCKOUT IN BAFFLE WALL
- (E) 4"Ø SCH 40 PVC COUPLER CAST INTO VAULT WALL
- (F) 4" THICK BAFFLE WALL

GREASE INTERCEPTOR MEETS  
ASTM C 1613 06 SPECIFICATIONS

LOAD RATINGS:  
AASHTO HS20-44 RATED TO  
1'-6" MAX. BURY

DESIGN PROPERTIES:  
CONCRETE STRENGTH: 4,000 PSI  
CONCRETE WEIGHT: 150 PCF  
STEEL STRENGTH: 60,000 PSI  
(GRADE 60)

DESIGN MANUALS  
ACI 318-05  
AISC LRFD 3RD EDITION  
AASHTO 17th EDITON 2002

	4" PVC	6" PVC
ACTUAL CAPACITY	1197 GAL	1153 GAL

	WEIGHT/CONCRETE	
LID	6,728 LBS	1.66 CY
BAFFLE	1,029 LBS	0.25 CY
VAULT	14,631 LBS	3.61 CY
TOTAL	22,387 LBS	5.53 CY

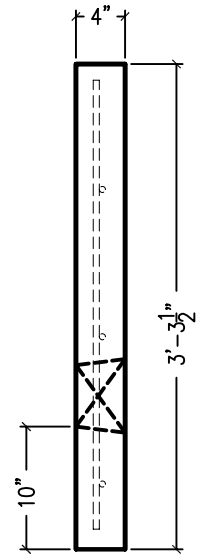
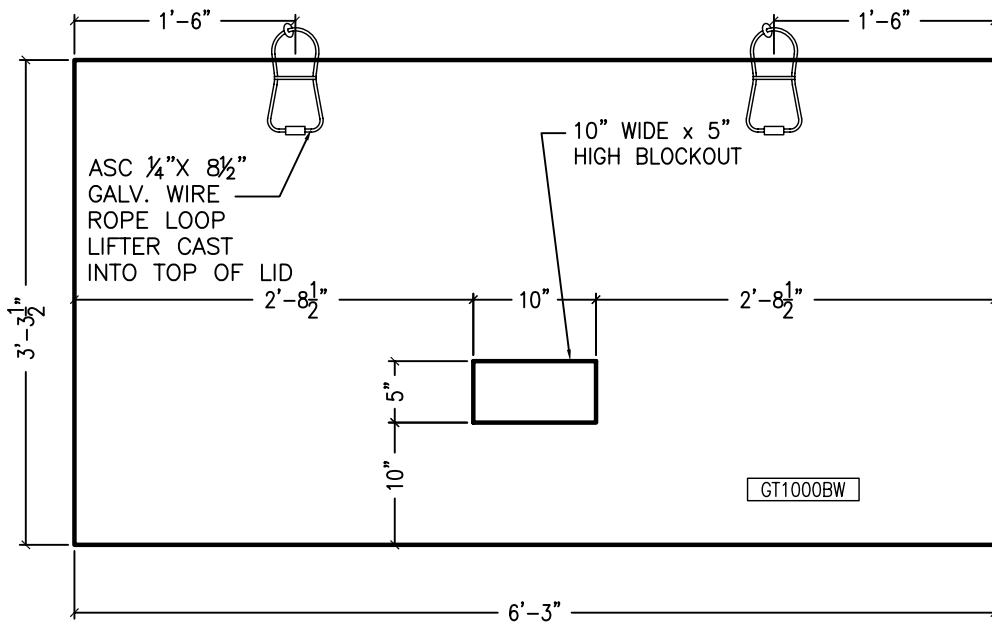
09/21/09

**COLORADO PRECAST CONCRETE, Inc.**  
1820 E. HIGHWAY 402, LOVELAND, CO 80537  
(970) 669-0535 FAX (970) 669-0674  
www.coloprecast.com



ITEM NAME:

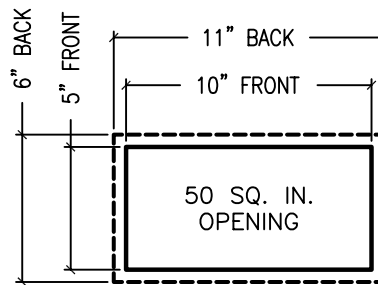
**1 000 GALLON GREASE INTERCEPTOR**



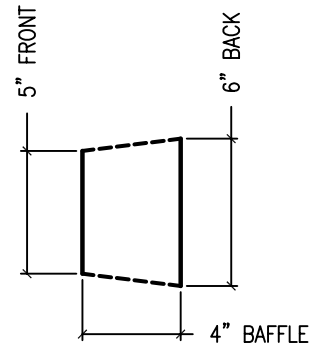
SECTION

BAFFLE IS POURED SEPARATELY AND PLACED IN VAULT PRIOR TO DELIVERY

REINFORCEMENT:  
#4 REBAR @ 12"  
O.C.E.W., CENTERED



FRONT VIEW



SECTION VIEW

BLOCKOUT DETAIL

WEIGHT/CONCRETE:  
1,029 LBS/0.25 CY

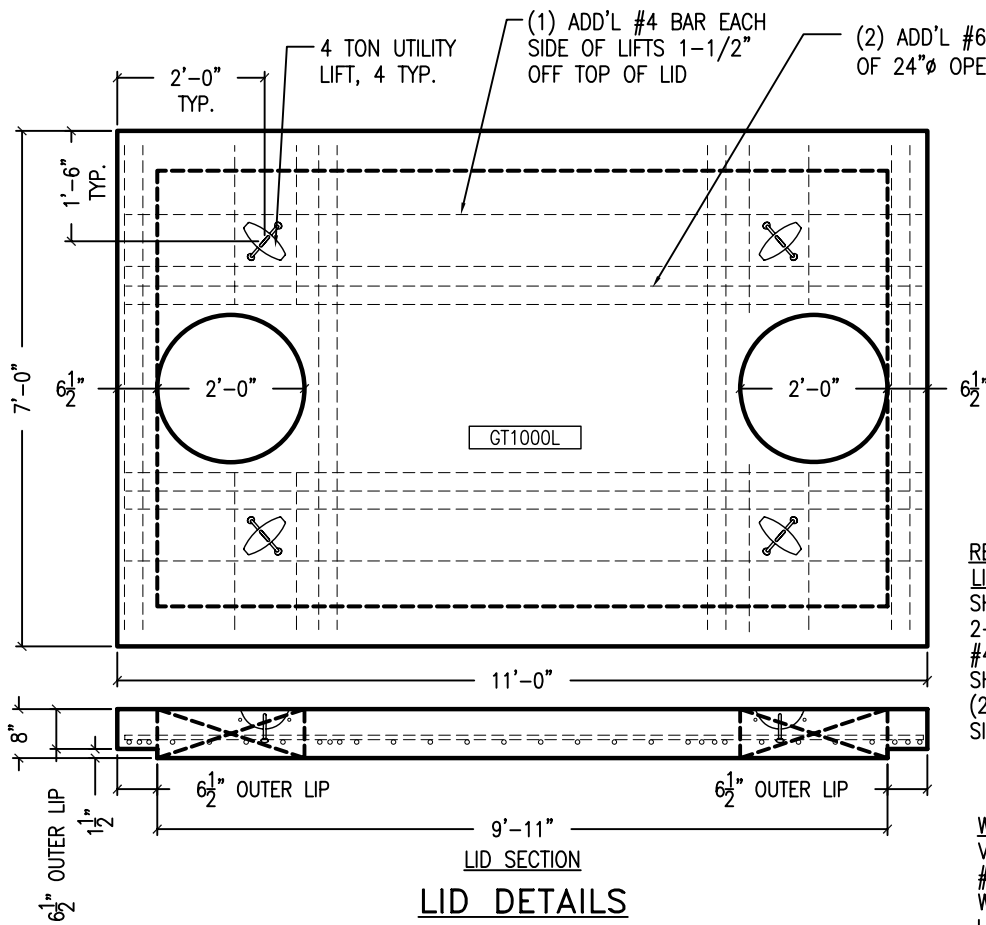
09/21/09

COLORADO PRECAST CONCRETE, Inc.  
1820 E. HIGHWAY 402, LOVELAND, CO 80537  
(970) 669-0535 FAX (970) 669-0674  
www.coloprecast.com



ITEM NAME:

1000 GALLON GREASE INTERCEPTOR  
BAFFLE DETAILS



**LID DETAILS**

**REINFORCEMENT:**

**LID:**

SHORT BARS: #6 REBAR @ 6" O.C.,  
 2-1/4" OFF BOTTOM. LONG BARS:  
 #4 REBAR @ 12" O.C. ON TOP OF  
 SHORT BARS  
 (2) ADD'L #6 REBAR EACH  
 SIDE OF ACCESS HOLES

**WALLS:**

**VERTICAL:**

#4 U-BAR AT 12" O.C., 1/2" OFF INSIDE OF  
 WALL

**HORIZONTAL:**

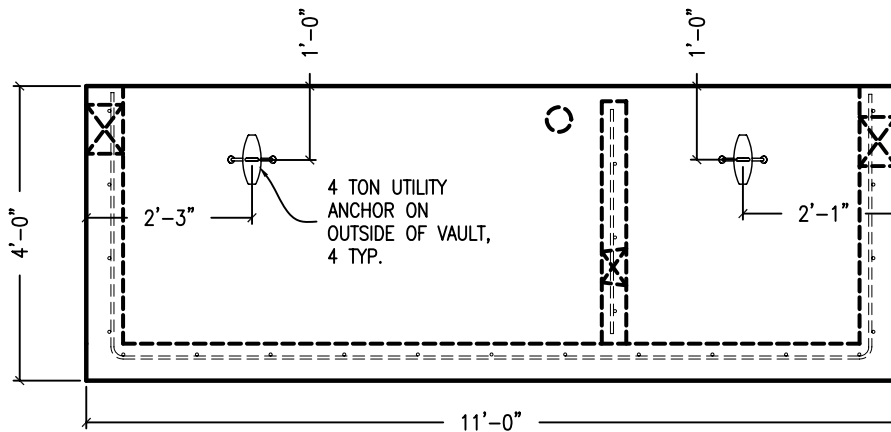
#4 U-BAR @ 12" O.C., OUTSIDE  
 OF VERTICAL BAR, 20" MIN OVERLAP

**BAFFLE:**

#4 REBAR @ 12" O.C.E.W.,  
 CENTERED

**FLOOR:**

#4 U-BAR AT 12" O.C.E.W.,  
 SHORT BARS @ 1-1/2" OFF  
 TOP OF FLOOR, LONG BARS  
 BELOW SHORT BARS  
 U-BARS EXTEND INTO WALLS



**VAULT LIFT LOCATION**

09/21/09

**COLORADO PRECAST CONCRETE, Inc.**  
 1820 E. HIGHWAY 402, LOVELAND, CO 80537  
 (970) 669-0535 FAX (970) 669-0674  
 www.coloprecast.com



ITEM NAME:

**1000 GALLON GREASE INTERCEPTOR  
 DETAILS**