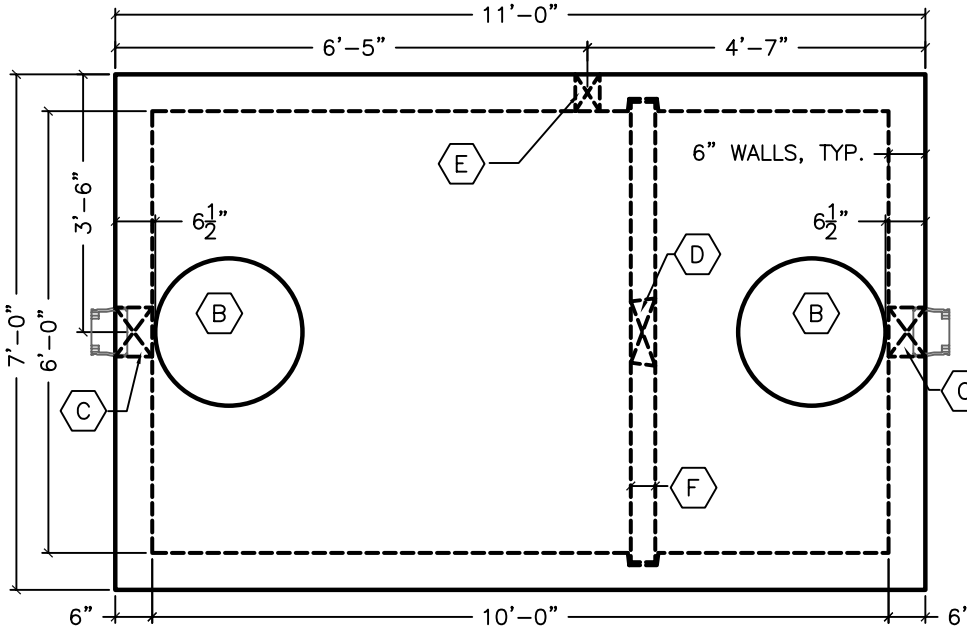
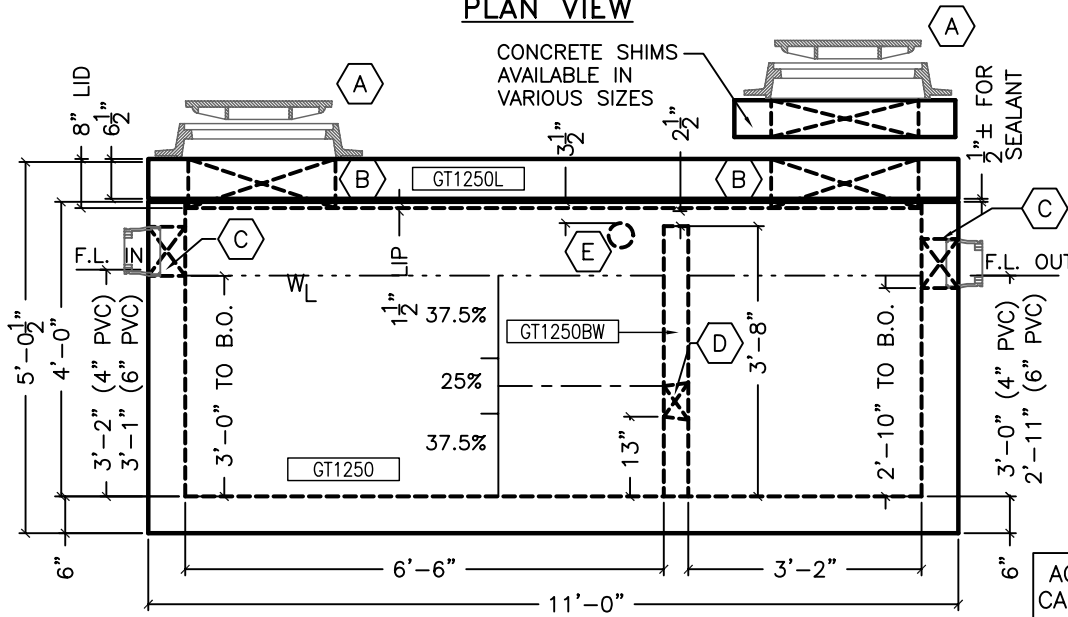


PART NO.	DESCRIPTION	QTY.
KOR02	KOR-N-SEAL S106-8SWP (4.2-5.5-6.4)	2
4PVC40C	4" SCH 40 COUPLING	1
RUB15ROLL	1 1/2" BUTYL MASTIC SEALANT ROLL	3
ANCU4	4-TON UTILITY ANCHOR #6UA444	8
LIFTWRLL14	1/4"x8 1/2" GALV. WIRE ROPE LIFT	2
CIA1043RC	D&L A-1043 RING	2
CIA1161CG	D&L A-1161 XH COVER STAMPED "GREASE INTERCEPTOR"	2



PLAN VIEW



SIDE VIEW

- A D&L 24"Ø CAST IRON RING & COVER
- B 24"Ø BLOCKOUT IN LID
- C 8"Ø B/O FOR S106-8SWP (4.2"-6.4" OD) KOR-N-SEAL BOOT FOR 4" OR 6" PVC
- D 10" WIDE x 5" HIGH BLOCKOUT IN BAFFLE WALL
- E 4"Ø SCH 40 PVC COUPLER CAST INTO VAULT WALL
- F 4" THICK BAFFLE WALL

GREASE INTERCEPTOR MEETS ASTM C 1613 06 SPECIFICATIONS

LOAD RATINGS:
AASHTO HS20-44 RATED TO 1'-6" MAX. BURY

DESIGN PROPERTIES:
CONCRETE STRENGTH: 4,000 PSI
CONCRETE WEIGHT: 150 PCF
STEEL STRENGTH: 60,000 PSI (GRADE 60)

DESIGN MANUALS
ACI 318-05
AISC LRFD 3RD EDITION
AASHTO 17th EDITON 2002

	4" PVC	6" PVC
ACTUAL CAPACITY	1302 GAL	1265 GAL

- SECONDARY COMPARTMENT HAS VOLUME EQUAL TO APPROXIMATELY 1/3 OF THE TOTAL CAPACITY.
- JOINT BETWEEN LID AND VAULT TO BE SEALED WITH 1 ROW 1-1/2" BUTYL MASTIC SEALANT PROVIDED BY C.P.C.
- BAFFLE WALL TO BE A SEPARATE POUR AND INSTALLED BY C.P.C. BEFORE DELIVERY.

05/08/09

COLORADO PRECAST CONCRETE, Inc.

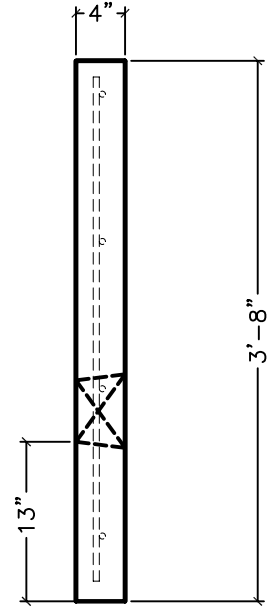
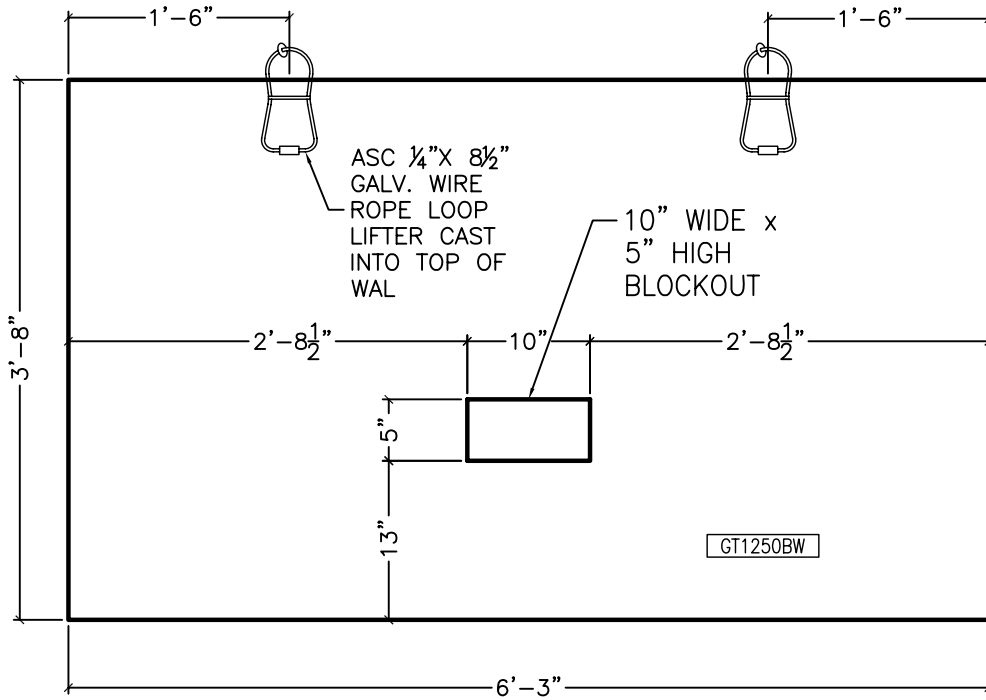
1820 E. HIGHWAY 402, LOVELAND, CO 80537
(970) 669-0535 FAX (970) 669-0674
www.coloprecast.com



ITEM NAME:

1250 GALLON GREASE INTERCEPTOR

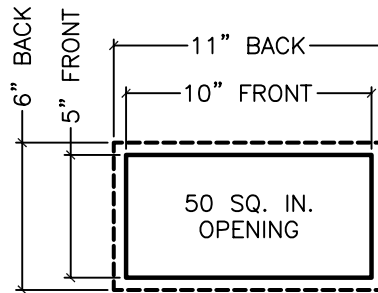
	WEIGHT/CONCRETE	
LID	6,723 LBS	1.66 CY
BAFFLE	1,134 LBS	0.28 CY
VAULT	15,876 LBS	3.92 CY
TOTAL	23,733 LBS	5.86 CY



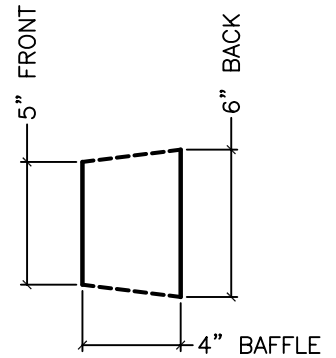
SECTION

BAFFLE IS POURED SEPARATELY AND PLACED IN VAULT PRIOR TO DELIVERY

REINFORCEMENT:
#4 REBAR @ 12"
O.C.E.W., CENTERED



FRONT VIEW



SECTION VIEW

BLOCKOUT DETAIL

WEIGHT/CONCRETE:
1,134 LBS/0.28 CY

05/08/09

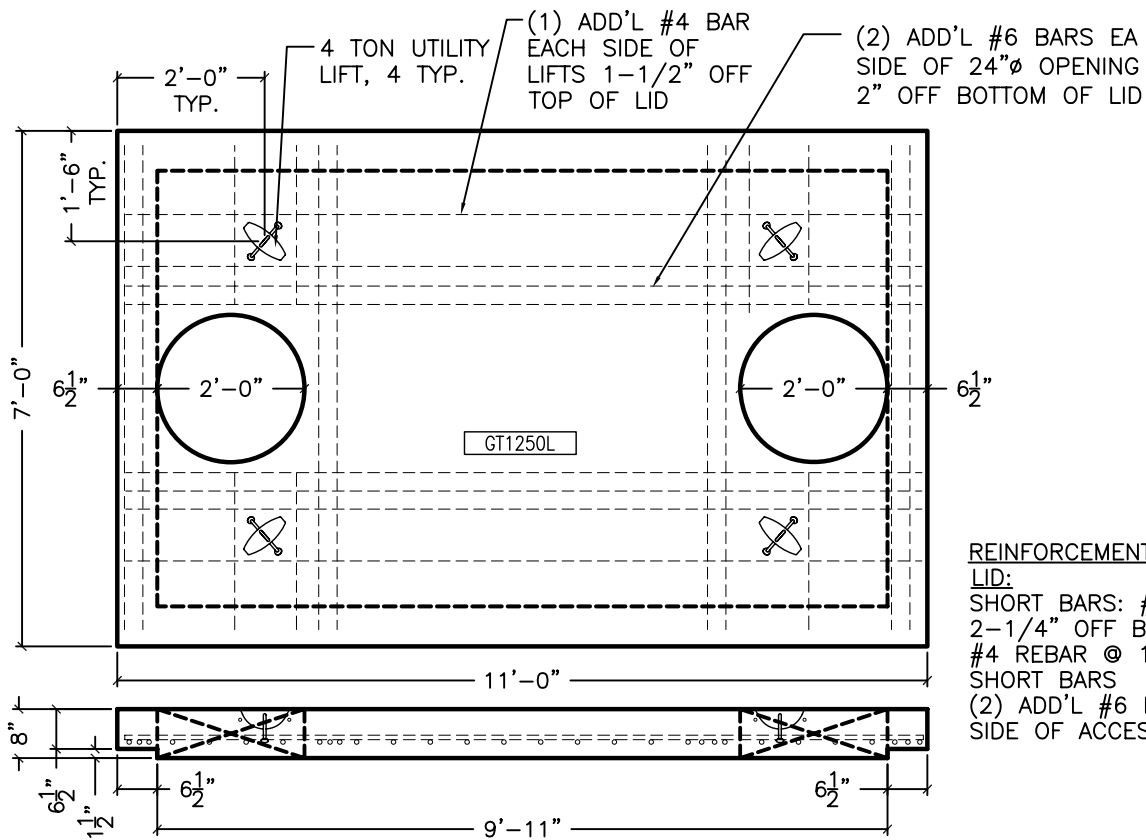
COLORADO PRECAST CONCRETE, Inc.

1820 E. HIGHWAY 402, LOVELAND, CO 80537
(970) 669-0535 FAX (970) 669-0674
www.coloprecast.com



ITEM NAME:

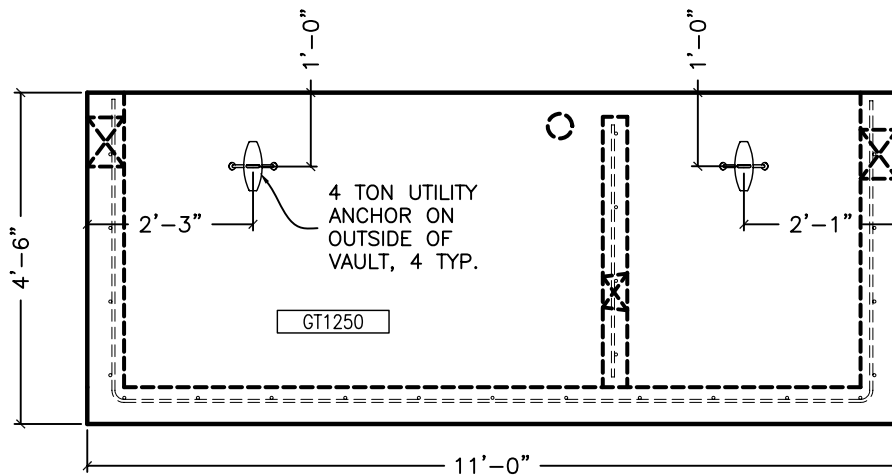
1250 GALLON GREASE INTERCEPTOR



LID SECTION
LID DETAILS

REINFORCEMENT:

LID:
SHORT BARS: #6 REBAR @ 6" O.C., 2-1/4" OFF BOTTOM. LONG BARS: #4 REBAR @ 12" O.C. ON TOP OF SHORT BARS
(2) ADD'L #6 REBAR EACH SIDE OF ACCESS HOLES



VAULT LIFT LOCATION

WALLS:

VERTICAL:
#4 U-BAR AT 12" O.C., 1-1/2" OFF INSIDE OF WALL
HORIZONTAL:
#4 U-BAR @ 12" O.C., OUTSIDE OF VERTICAL BAR

BAFFLE:

#4 REBAR @ 12" O.C.E.W., CENTERED

FLOOR:

#4 U-BAR AT 12" O.C.E.W., SHORT BARS @ 1-1/2" OFF TOP OF FLOOR, LONG BARS BELOW SHORT BARS
U-BARS EXTEND INTO WALLS

05/08/09

COLORADO PRECAST CONCRETE, Inc.
1820 E. HIGHWAY 402, LOVELAND, CO 80537
(970) 669-0535 FAX (970) 669-0674
www.coloprecast.com



ITEM NAME:

1250 GALLON GREASE INTERCEPTOR
DETAILS