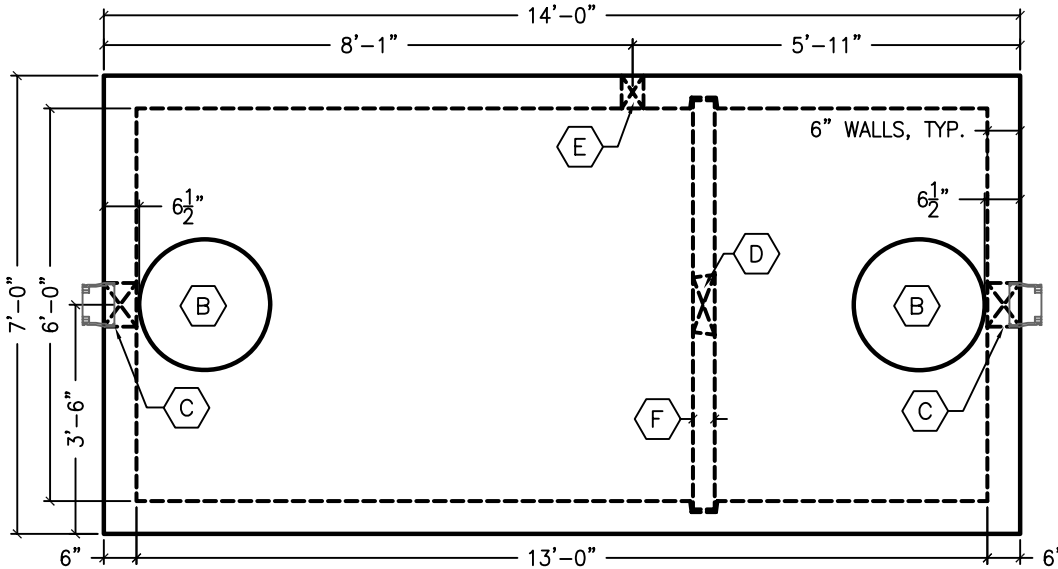


PART NO.	DESCRIPTION	QTY.
KOR02	KOR-N-SEAL S106-8SWP (4.2-5.5-6.4)	2
4PVC40C	4" SCH 40 COUPLING	1
RUB15ROLL	1 1/2" BUTYL MASTIC SEALANT ROLL	3
ANCU4	4-TON UTILITY ANCHOR #6UA444	8
LIFTWRLL14	1/4"x8 1/2" GALV. WIRE ROPE LIFT	2
CIA1043RC	D&L A-1043 RING	2
CIA1161CG	D&L A-1161 XH COVER STAMPED "GREASE INTERCEPTOR"	2



**PLAN VIEW**

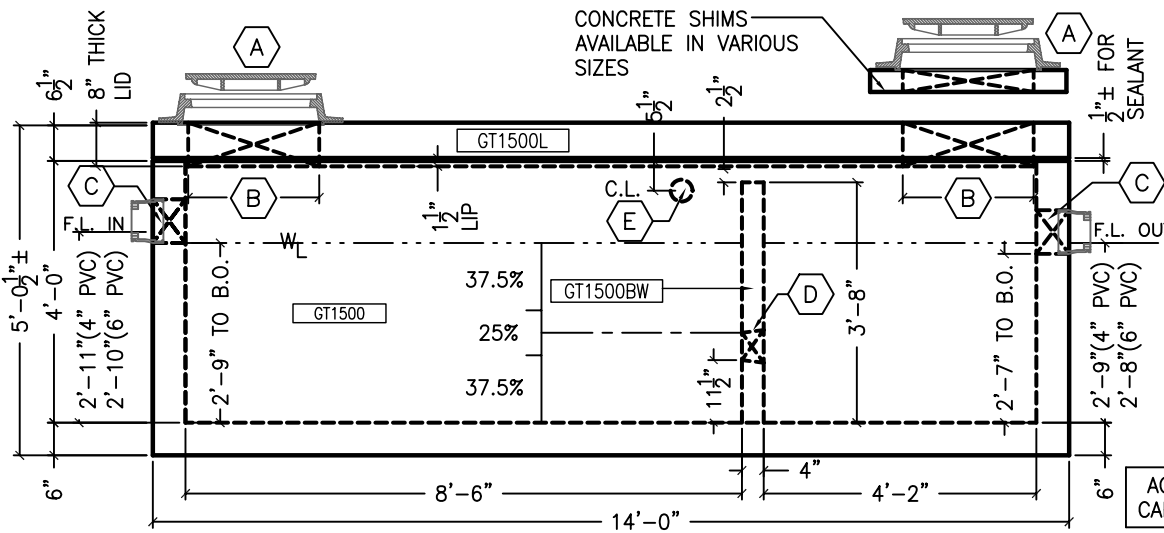
- (A) D&L 24"Ø CAST IRON RING & COVER
- (B) 24"Ø BLOCKOUT IN LID
- (C) 8"Ø B/O FOR S106-8SWP (4.2"-6.4" OD) KOR-N-SEAL BOOT FOR 4" OR 6" PVC
- (D) 10" WIDE X 5" HIGH BLOCKOUT IN BAFFLE WALL
- (E) 4" SCH 40 PVC COUPLER CAST INTO VAULT WALL
- (F) 4" THICK BAFFLE WALL

GREASE INTERCEPTOR MEETS ASTM C 1613 06 SPECIFICATIONS

LOAD RATINGS:  
AASHTO HS20-44 RATED TO 1'-6" MAX. BURY.

DESIGN PROPERTIES:  
CONCRETE STRENGTH=4,000 PSI  
CONCRETE WEIGHT=150 PCF  
STEEL STRENGTH=60,000 PSI (GRADE 60)

DESIGN MANUALS  
ACI 318-05  
AISC LRFD 3RD EDITION  
AASHTO 17th EDITON 2002



	4" PVC	6" PVC
ACTUAL CAPACITY	1563 GAL	1516 GAL

- SECONDARY COMPARTMENT HAS VOLUME EQUAL TO APPROXIMATELY 1/3 OF TOTAL CAPACITY.
- JOINT BETWEEN LID AND VAULT TO BE SEALED WITH 1 ROW 1-1/2" BUTYL MASTIC SEALANT PROVIDED BY C.P.C.
- BAFFLE WALL TO BE A SEPARATE POUR AND INSTALLED BY C.P.C. BEFORE DELIVERY.

	WEIGHT/CONCRETE	
LID	8,789 LBS	2.17 CY
BAFFLE	1,134 LBS	0.28 CY
VAULT	19,238 LBS	4.75 CY
TOTAL	29,160 LBS	7.20 CY

05/08/09

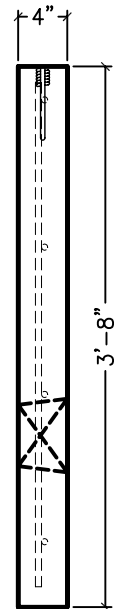
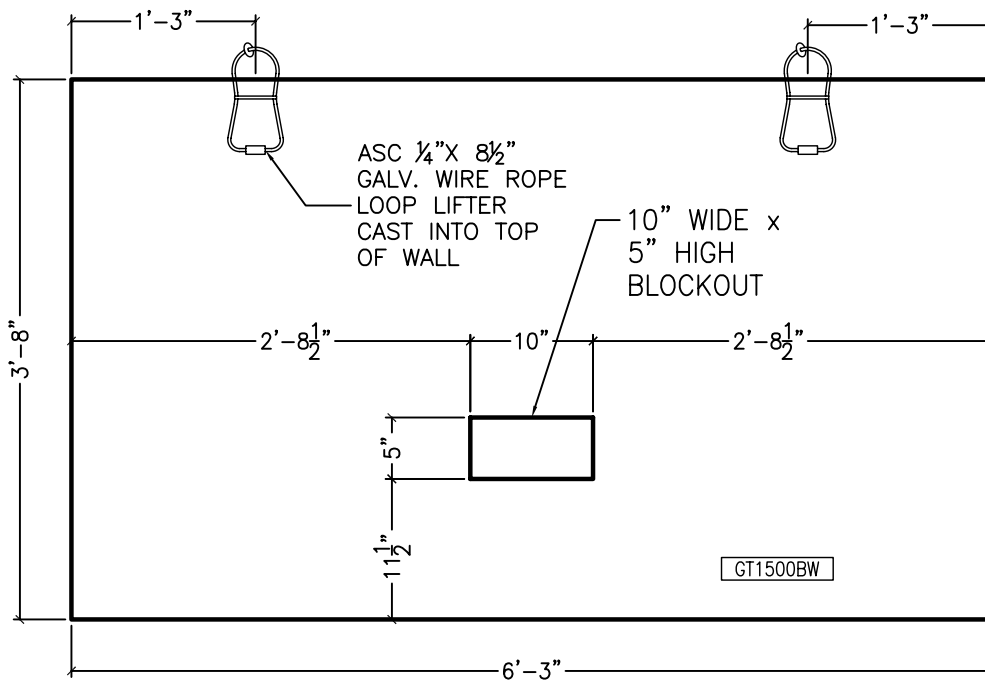
**COLORADO PRECAST CONCRETE, Inc.**

1820 E. HIGHWAY 402, LOVELAND, CO 80537  
(970) 669-0535 FAX (970) 669-0674  
www.coloprecast.com



ITEM NAME:

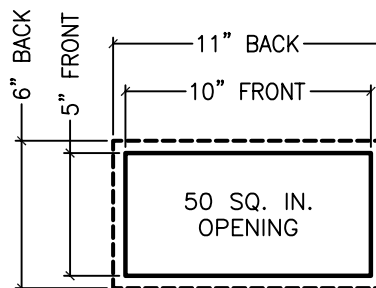
**1500 GALLON GREASE INTERCEPTOR**



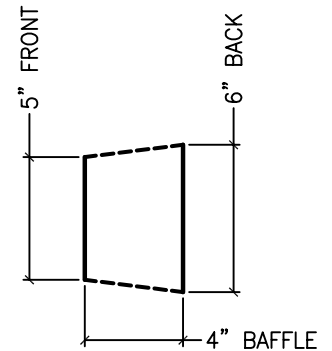
SIDE VIEW

BAFFLE IS POURED SEPARATELY AND PLACED IN VAULT PRIOR TO DELIVERY

REINFORCEMENT:  
#4 REBAR @ 12" O.C.E.W.,  
CENTERED



FRONT VIEW



SECTION VIEW

BLOCKOUT DETAIL

WEIGHT/CONCRETE:  
1,134 LBS/0.28 CY

05/08/09

COLORADO PRECAST CONCRETE, Inc.  
1820 E. HIGHWAY 402, LOVELAND, CO 80537  
(970) 669-0535 FAX (970) 669-0674  
www.coloprecast.com



ITEM NAME:

**1500 GALLON GREASE INTERCEPTOR  
BAFFLE WALL**

