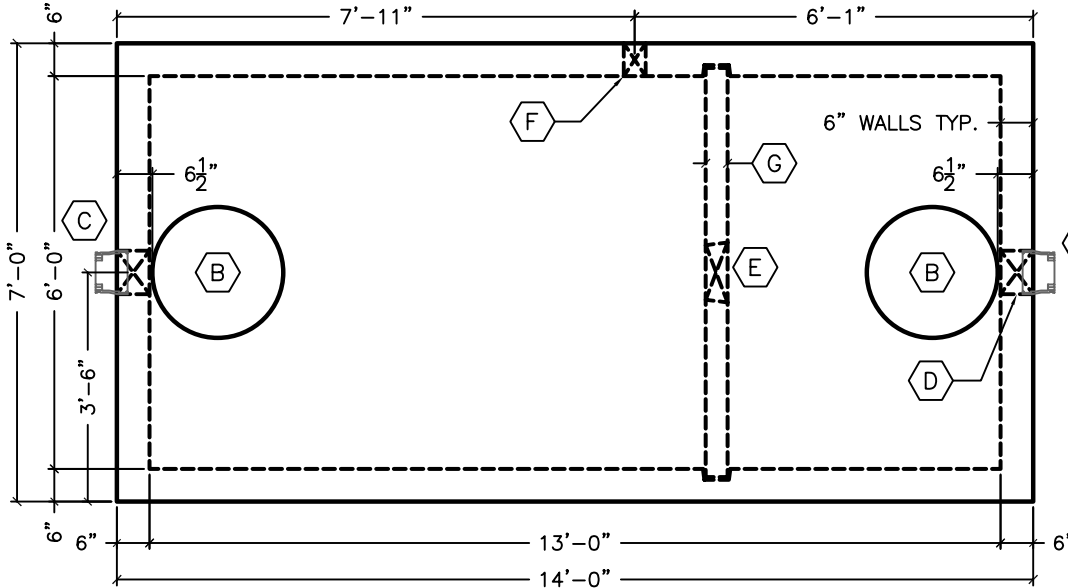
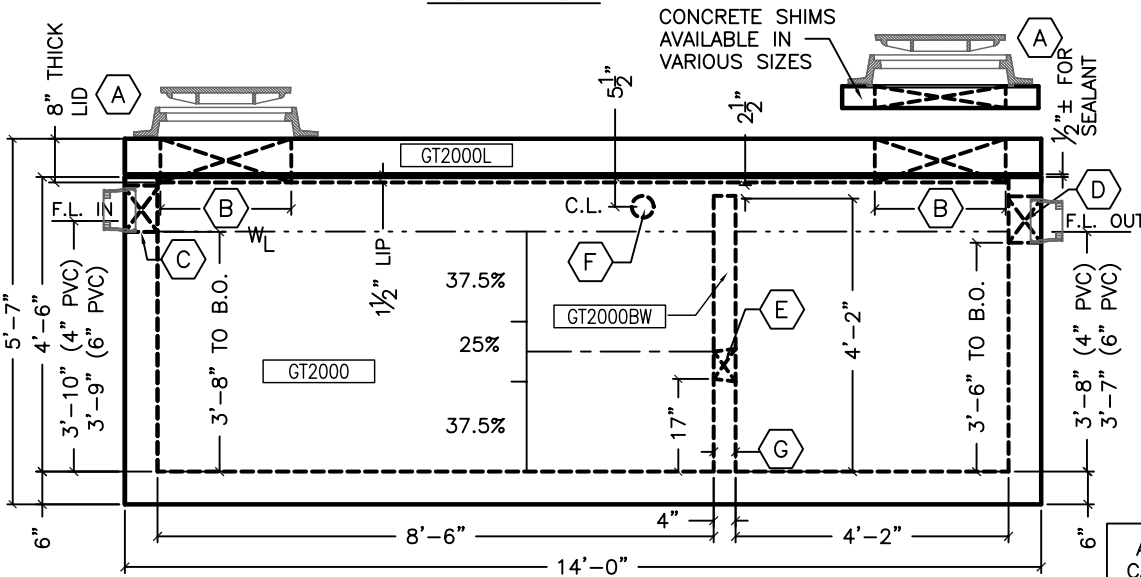


PART NO.	DESCRIPTION	QTY.
KOR02	KOR-N-SEAL S106-8SWP (4.2-5.5-6.4)	2
4PVC40C	4" SCH 40 COUPLING	1
RUB15ROLL	1 1/2" BUTYL MASTIC SEALANT ROLL X 10'	5
ANCHU4	4-TON UTILITY ANCHOR #6UA444	8
LIFTWRLL14	1/4"x8 1/2" GALV. WIRE ROPE LIFT	2
CIA1043RC	D&L A-1043 RING	2
CIA1161CG	D&L A-1161 XH COVER STAMPED "GREASE INTERCEPTOR"	2



PLAN VIEW

- A** D&L 24"Ø CAST IRON RING & COVER
- B** 24"Ø BLOCKOUT IN LID
- C** 8"Ø B/O FOR S106-8SWP (4.2"-6.4" OD) KOR-N-SEAL BOOT FOR 4" OR 6" PVC
- D** 8"Ø B/O FOR S106-8SWP (4.2"-6.4" OD) KOR-N-SEAL BOOT FOR 4" OR 6" PVC
- E** 10" WIDE X 5" HIGH BLOCKOUT IN BAFFLE WALL
- F** 4"Ø SCH 40 PVC COUPLER CAST INTO VAULT WALL
- G** 4" THICK BAFFLE WALL



GREASE INTERCEPTOR MEETS ASTM C 1613 06 SPECIFICATIONS

LOAD RATINGS:
AASHTO HS20-44 RATED TO 1'-6" MAXIMUM BURY

DESIGN PROPERTIES:
CONCRETE STRENGTH: 4,000 PSI
CONCRETE WEIGHT: 150 PCF
STEEL STRENGTH: 60,000 PSI (GRADE 60)

DESIGN MANUALS
ACI 318-05
AISC LRFD 3RD EDITION
AASHTO 17th EDITION 2002

	4" PVC	6" PVC
ACTUAL CAPACITY	2084 GAL	2037 GAL

- SECONDARY COMPARTMENT HAS VOLUME EQUAL TO APPROXIMATELY 1/3 OF TOTAL CAPACITY.
- JOINT BETWEEN LID AND VAULT TO BE SEALED WITH 1 ROW 1-1/2" BUTYL MASTIC SEALANT PROVIDED BY C.P.C.
- BAFFLE WALL TO BE A SEPARATE POUR AND INSTALLED BY C.P.C. BEFORE DELIVERY.

WEIGHT/CONCRETE		
LID	8,789 LBS	2.17 CY
BAFFLE	1,296 LBS	0.32 CY
VAULT	20,777 LBS	5.13 CY
TOTAL	30,861 LBS	7.61 CY

05/11/09

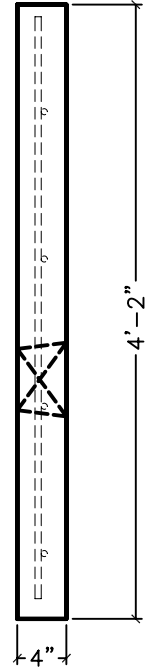
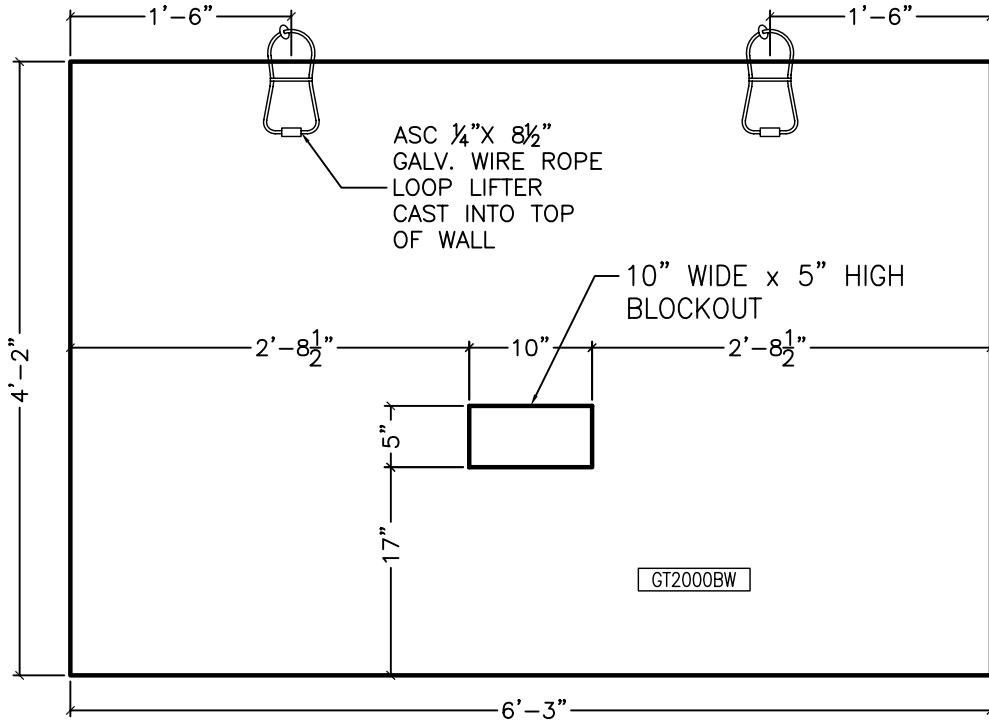
COLORADO PRECAST CONCRETE, Inc.

1820 E. HIGHWAY 402, LOVELAND, CO 80537
(970) 669-0535 FAX (970) 669-0674
www.coloprecast.com



ITEM NAME:

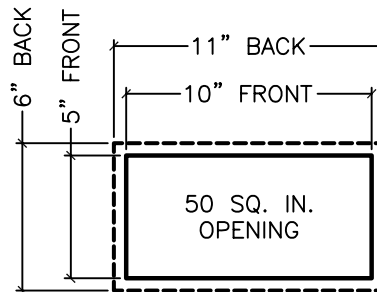
2000 GALLON GREASE INTERCEPTOR



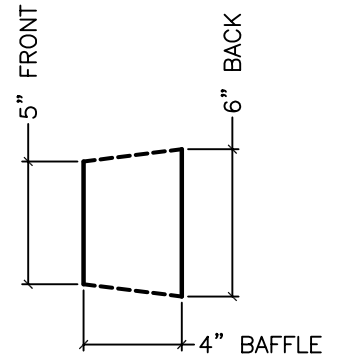
SECTION VIEW

BAFFLE IS A SEPARATE
POUR THAN VAULT

REINFORCEMENT:
#4 REBAR @ 12" O.C.E.W.



FRONT VIEW



SECTION VIEW

WEIGHT/CONCRETE:
1,296 LBS/0.32 CY

BLOCKOUT DETAIL

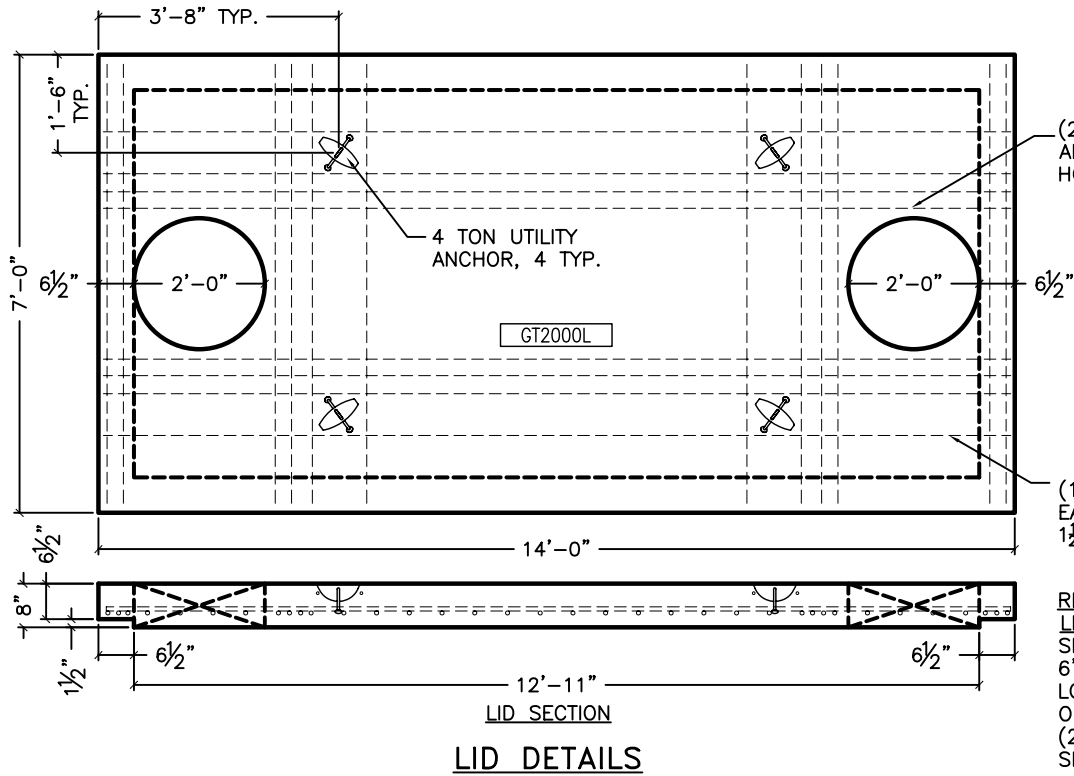
05/11/09

COLORADO PRECAST CONCRETE, Inc.
1820 E. HIGHWAY 402, LOVELAND, CO 80537
(970) 669-0535 FAX (970) 669-0674
www.coloprecast.com



ITEM NAME:

2000 GALLON GREASE INTERCEPTOR
BAFFLE

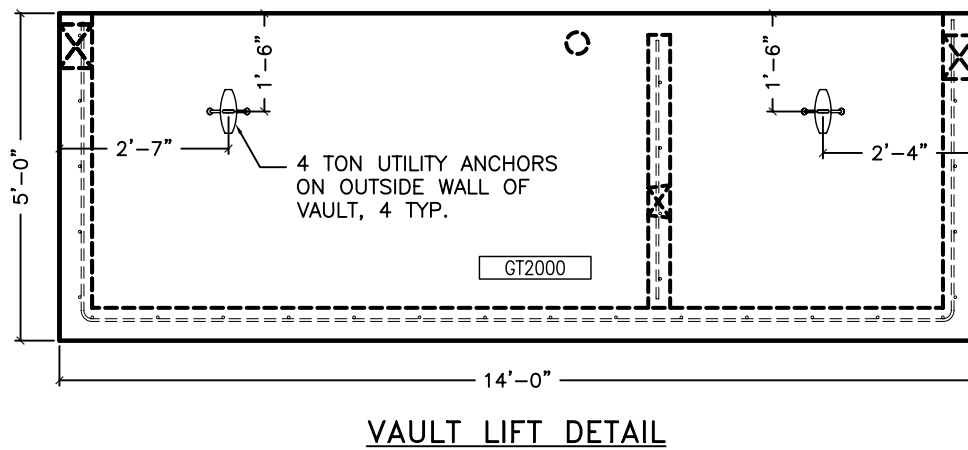


(2) ADD'L #6 REBAR AROUND 24"Ø ACCESS HOLES ON BOTTOM MAT

(1) ADD'L #6 REBAR EACH SIDE OF LIFTS 1 1/2" OFF TOP OF LID

REINFORCEMENT:

LID:
 SHORT BARS: #6 REBAR @ 6" O.C., 2-1/4" OFF BOTTOM.
 LONG BARS: #4 REBAR @ 12" O.C. ON TOP OF SHORT BARS
 (2) ADD'L #6 REBAR EACH SIDE OF ACCESS HOLES



WALLS:

VERTICAL:
 #4 U-BAR AT 12" O.C., 1-1/2" OFF INSIDE OF WALL
HORIZ: U-BAR @ 12" O.C., OUTSIDE OF VERTICAL BAR

BAFFLE:

#4 REBAR @ 12" O.C.E.W., CENTERED

FLOOR:

#4 U-BAR AT 12" O.C.E.W., SHORT BARS @ 1-1/2" OFF TOP OF FLOOR, LONG BARS BELOW SHORT BARS
 U-BARS EXTEND INTO WALLS

05/11/09

COLORADO PRECAST CONCRETE, Inc.
 1820 E. HIGHWAY 402, LOVELAND, CO 80537
 (970) 669-0535 FAX (970) 669-0674
 www.coloprecast.com



ITEM NAME:

2000 GALLON GREASE INTERCEPTOR
 DETAILS