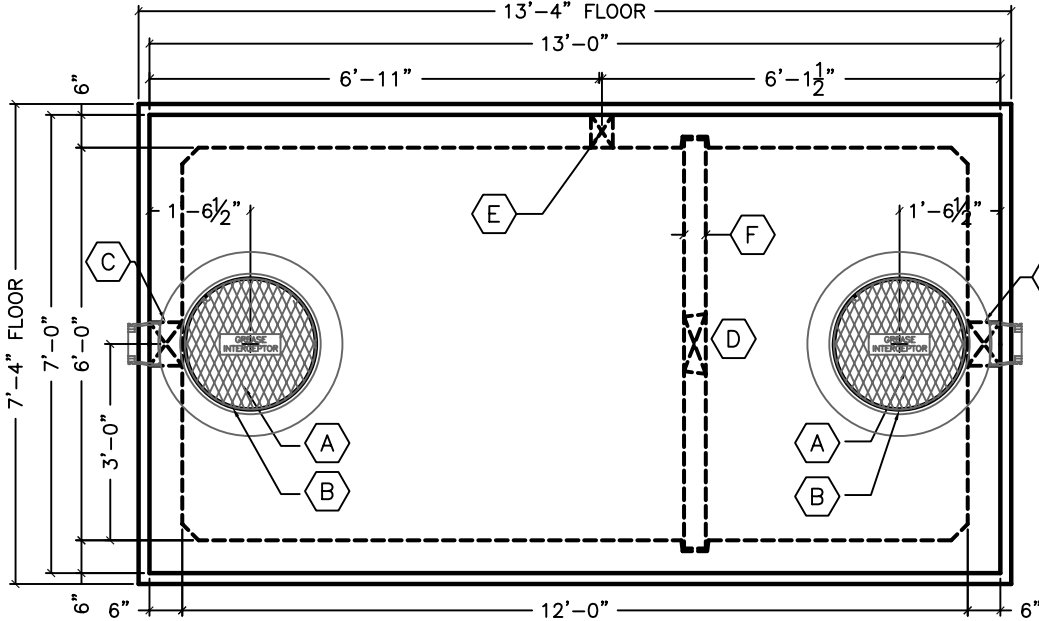
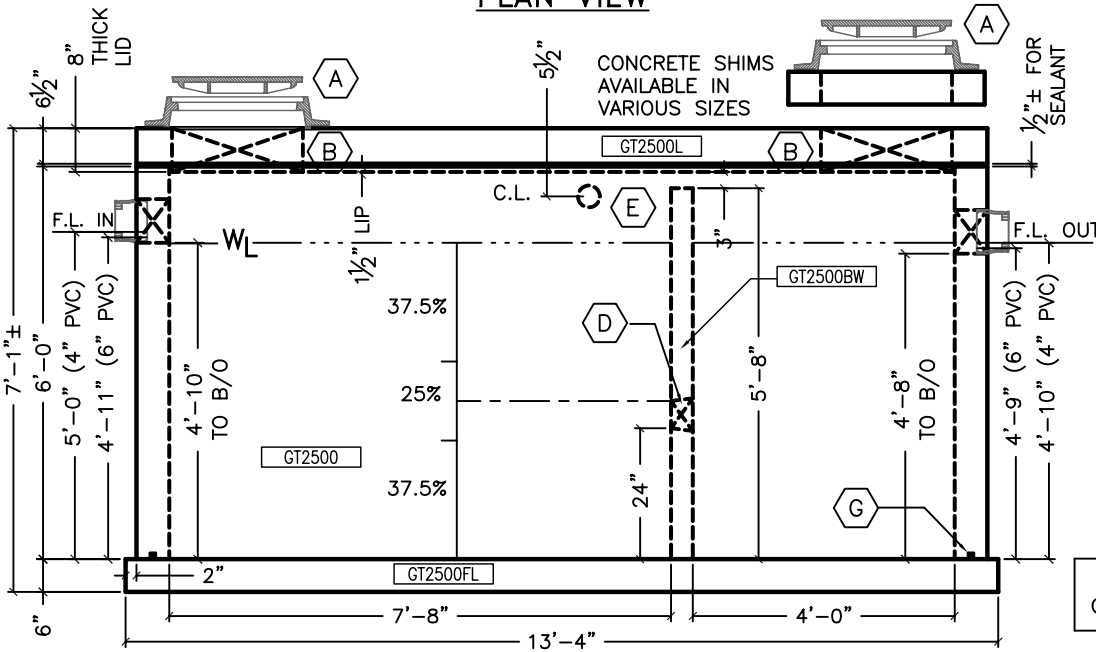


PART NO.	DESCRIPTION	QTY.
KOR02	KOR-N-SEAL S106-8SWP (4.2-5.5-6.4)	2
4PVC40C	4" SCH 40 COUPLING	1
RUB15ROLL	1 1/2" BUTYL MASTIC SEALANT - 10' ROLL	5
RUBSF302853	SYNKO-FLEX WATER STOP 1" X 36" STRIPS	14
ANCHU4	4-TON UTILITY ANCHOR #6UA444	8
CIA1043RC	D&L A-1043 RING	2
CIA1161CG	D&L A-1161 XH COVER STAMPED "GREASE INTERCEPTOR"	2
LIFTWRLL14	1/4"x8 1/2" GALV. WIRE ROPE LIFT	2



PLAN VIEW

- A D&L 24"Ø CAST IRON RING & COVER
- B 24"Ø BLOCKOUT IN LID
- C 8"Ø B/O FOR S106-8SWP (4.2"-6.4" OD) KOR-N-SEAL BOOT FOR 4" OR 6" PVC
- D 10" WIDE X 5" HIGH BLOCKOUT IN BAFFLE WALL
- E 4"Ø SCH 40 PVC COUPLING CAST INTO VAULT WALL
- F 4" THICK BAFFLE WALL
- G SYNKO-FLEX WATERSTOP AROUND PERIMETER OF FLOOR



GREASE INTERCEPTOR MEETS ASTM C 1613 06 SPECIFICATIONS

LOAD RATINGS:  
AASHTO HS20-44 RATED WITH UP TO 1'-6" SOIL COVER

DESIGN PROPERTIES:  
CONCRETE STRENGTH: 4,000 PSI  
CONCRETE WEIGHT: 150 PCF  
STEEL STRENGTH: 60,000 PSI (GRADE 60)

DESIGN MANUALS  
ACI 318-05  
AISC LRFD 3RD EDITION  
AASHTO 17th EDITION 2002

	4" PVC	6" PVC
ACTUAL CAPACITY	2522 GAL	2478 GAL

WEIGHT/CONCRETE

	8,113 LBS	2.00 CY
LID	1,771 LBS	0.44 CY
BAFFLE	17,094 LBS	4.22 CY
WALLS	7,333 LBS	1.81 CY
FLOOR	26,198 LBS	6.47 CY
VAULT TOTAL	34,311 LBS	8.47 CY
TOTAL		

- SECONDARY COMPARTMENT HAS VOLUME EQUAL TO APPROXIMATELY 1/3 OF TOTAL CAPACITY.
- JOINT BETWEEN LID AND VAULT TO BE SEALED WITH 1 ROW 1-1/2" BUTYL MASTIC SEALANT PROVIDED BY C.P.C.
- BAFFLE IS FORMED SEPARATELY FROM THE VAULT.

09/23/09

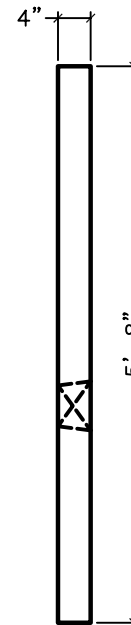
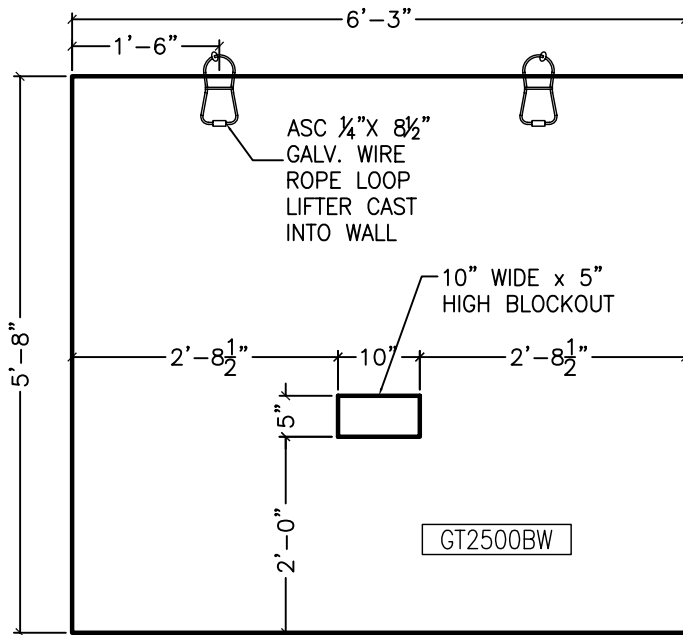
COLORADO PRECAST CONCRETE, Inc.

1820 E. HIGHWAY 402, LOVELAND, CO 80537  
(970) 669-0535 FAX (970) 669-0674  
www.coloprecast.com



ITEM NAME:

2500 GALLON GREASE INTERCEPTOR

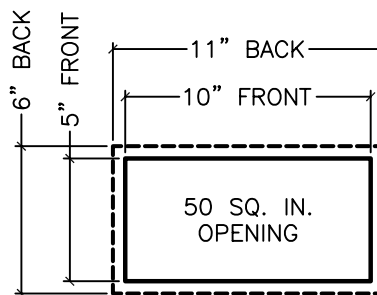


SIDE VIEW

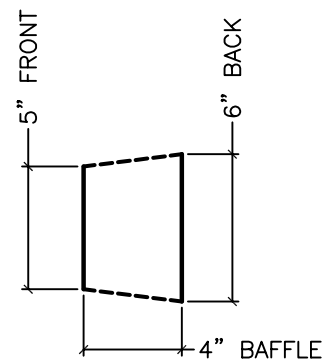
BAFFLE:  
 #4 REBAR @ 12" O.C.E.W., CENTERED IN  
 BAFFLE

BAFFLE IS CAST SEPARATELY FROM  
 THE VAULT

WEIGHT/CONCRETE	
BAFFLE	1,771 LBS 0.44 CY



FRONT VIEW



SECTION VIEW

BLOCKOUT DETAIL

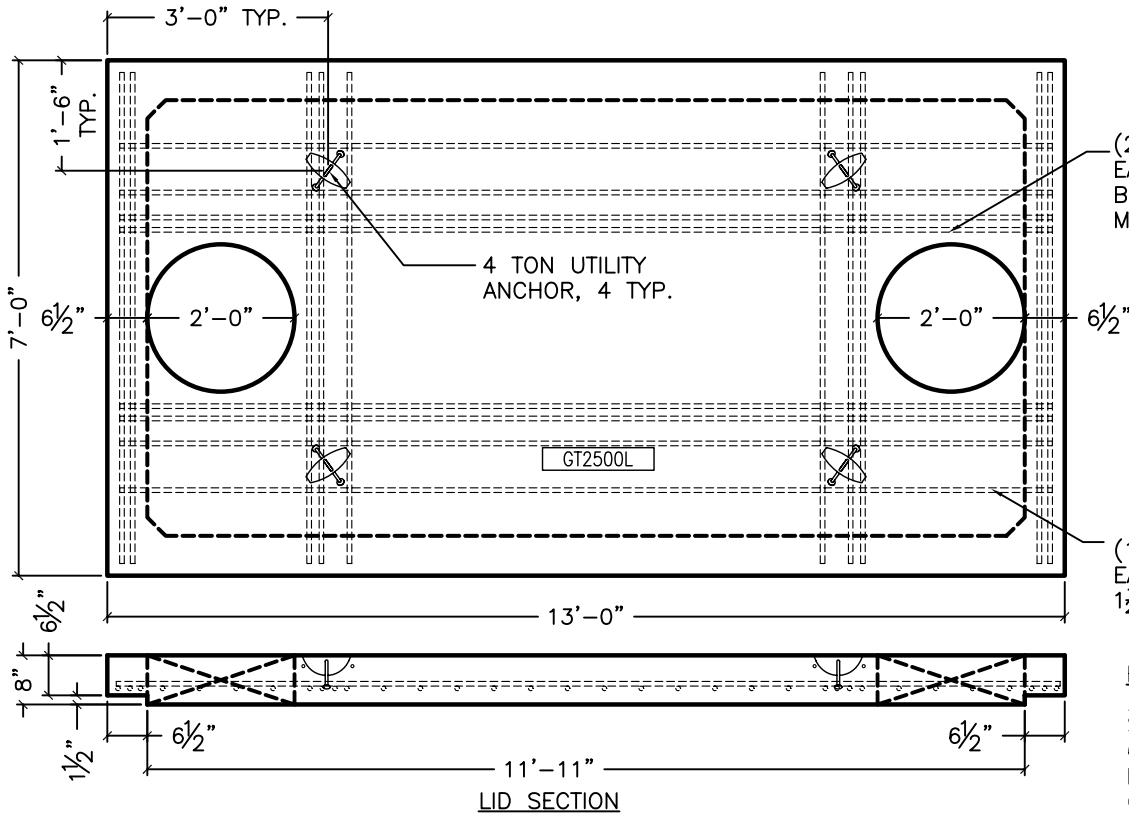
09/23/09

COLORADO PRECAST CONCRETE, Inc.  
 1820 E. HIGHWAY 402, LOVELAND, CO 80537  
 (970) 669-0535 FAX (970) 669-0674  
 www.coloprecast.com



ITEM NAME:

**2500 GALLON GREASE INTERCEPTOR  
 BAFFLE**



LID DETAILS

(2) ADD'L #6 REBAR EACH SIDE OF 24"Ø BLOCKOUTS IN BOTTOM MAT, MIN. 2" CLR.

(1) ADD'L #6 REBAR EACH SIDE OF LIFTS 1 1/2" OFF TOP OF LID

**REINFORCEMENT:**

**LID:**  
 SHORT BARS: #6 REBAR @ 6" O.C., 2-1/4" OFF BOTTOM.  
 LONG BARS: #4 REBAR @ 12" O.C. ON TOP OF SHORT BARS  
 (2) ADD'L #6 REBAR EACH SIDE OF ACCESS HOLES

**WALLS:**

**TILT-UP REBAR**  
**VERTICAL:**  
 #4 REBAR AT 12" O.C., 2" OFF INSIDE OF WALL  
**HORIZONTAL:**  
 #4 U-BAR @ 12" O.C., OUTSIDE OF VERTICAL BAR

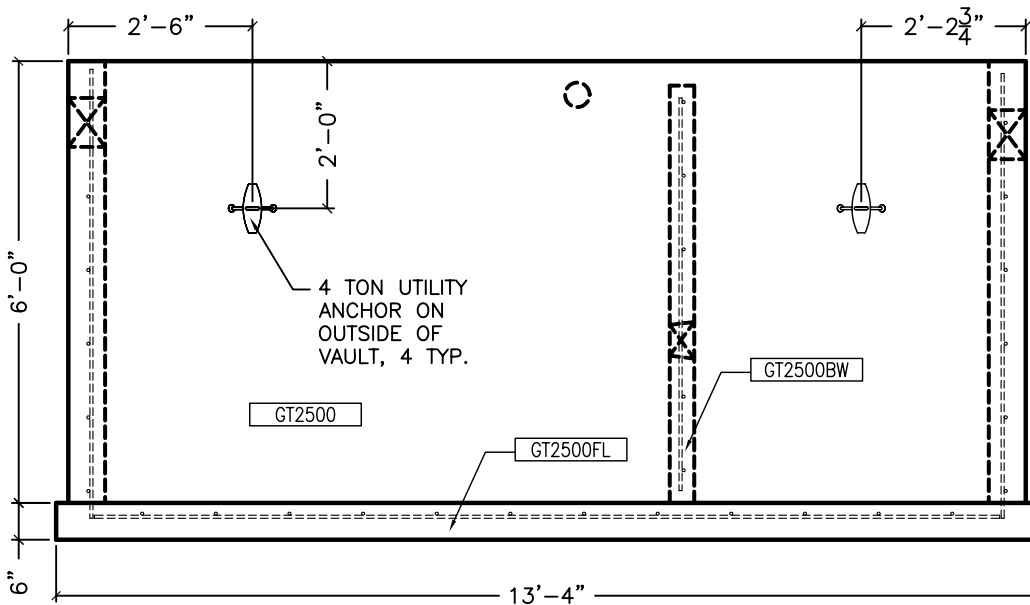
**FLOOR:**

#4 REBAR AT 12" O.C.E.W, SHORT BARS @ 1-1/2" OFF TOP OF FLOOR, LONG BARS BELOW SHORT BARS

20"X20" L-BAR AT ALL CORNERS (WALL TO FLOOR AND WALL TO WALL)

**BAFFLE:**

VERTICAL: #4 REBAR @ 12" O.C.E.W., CENTERED IN BAFFLE



VAULT LIFT DETAIL

09/23/09

COLORADO PRECAST CONCRETE, Inc.  
 1820 E. HIGHWAY 402, LOVELAND, CO 80537  
 (970) 669-0535 FAX (970) 669-0674  
 www.coloprecast.com



ITEM NAME:

2500 GALLON GREASE INTERCEPTOR  
 DETAILS