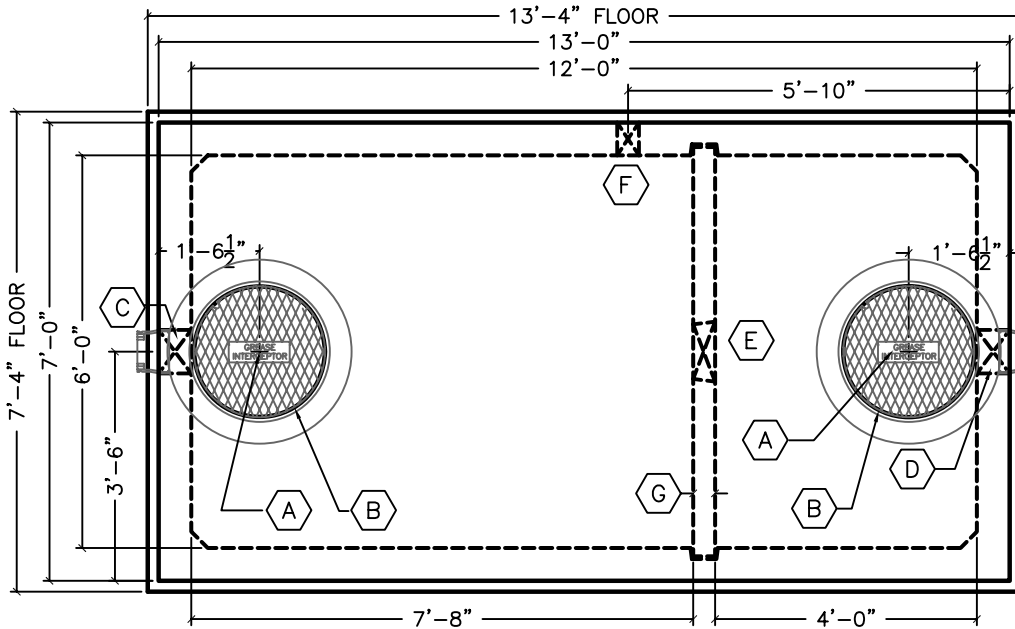
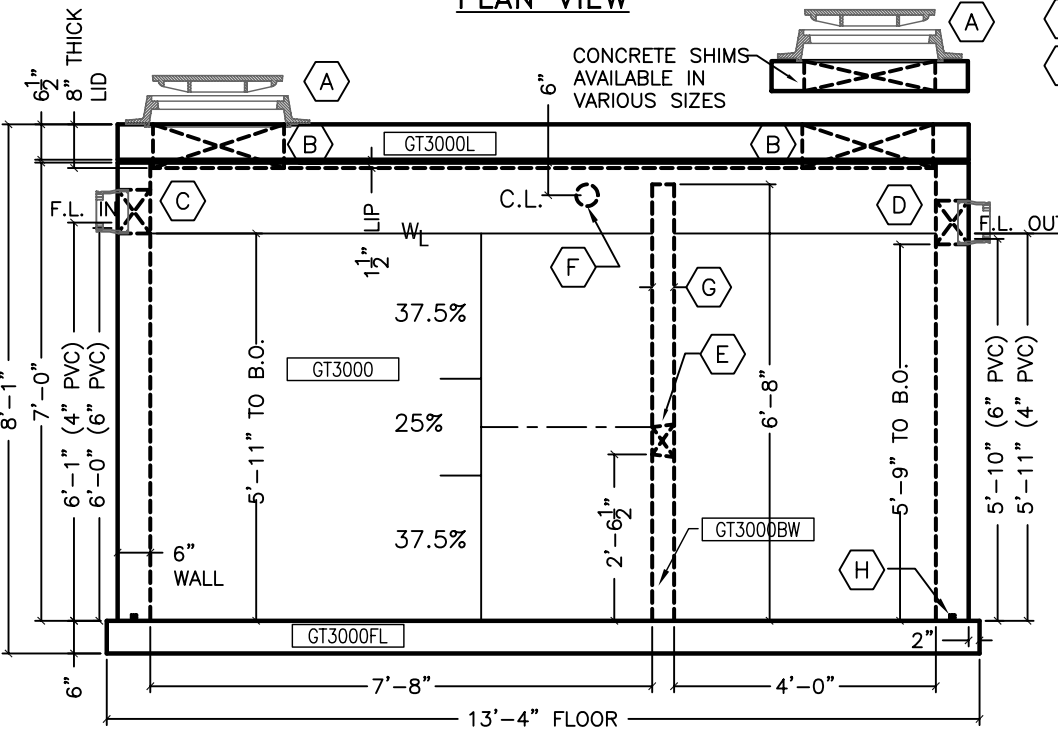


PART NO.	DESCRIPTION	QTY.
KOR02	KOR-N-SEAL S106-8SWP (4.2-5.5-6.4)	2
4PVC40C	4" SCH 40 COUPLING	1
RUB15ROLL	1 1/2" BUTYL MASTIC SEALANT ROLL	5
RUBSF302853	SYNKO-FLEX WATER STOP 1" X 36" STRIPS	14
ANCHU4	4-TON UTILITY ANCHOR #6UA444	8
CIA1043RC	D&L A-1043 RING	2
CIA1161CG	D&L A-1161 XH COVER STAMPED "GREASE INTERCEPTOR"	2
LIFTWRLL14	1/4"x8 1/2" GALV. WIRE ROPE LIFT	2



PLAN VIEW



SECTION VIEW

- (A) D&L 24"Ø CAST IRON RING & COVER
- (B) 24"Ø BLOCKOUT IN LID
- (C) 8"Ø B/O FOR S106-8SWP (4.2"-6.4" OD) KOR-N-SEAL BOOT FOR 4" OR 6" PVC
- (D) 8"Ø B/O FOR S106-8SWP (4.2"-6.4" OD) KOR-N-SEAL BOOT FOR 4" OR 6" PVC
- (E) 10" WIDE x 5" HIGH BLOCKOUT IN BAFFLE
- (F) 4"Ø SCH 40 PVC COUPLER CAST INTO VAULT WALL
- (G) 4" THICK BAFFLE WALL
- (H) SYNKO-FLEX WATERSTOP AROUND PERIMETER OF FLOOR

GREASE INTERCEPTOR MEETS ASTM C 1613 06 SPECIFICATIONS

LOAD RATINGS:
AASHTO HS20-44 RATED WITH UP TO 1'-6" SOIL COVER

DESIGN PROPERTIES:
CONCRETE STRENGTH: 4,000 PSI
CONCRETE WEIGHT: 150 PCF
STEEL STRENGTH: 60,000 PSI (GRADE 60)

DESIGN MANUALS
ACI 318-05
AISC LRFD 3RD EDITION
AASHTO 17th EDITON 2002

	4" PVC	6" PVC
ACTUAL CAPACITY	3,087 GAL	3,043 GAL

	WEIGHT/CONCRETE	
LID	8,086 LBS	2.00 CY
BAFFLE	2,083 LBS	0.51 CY
WALLS	19,943 LBS	4.92 CY
FLOOR	7,333 LBS	1.81 CY
VAULT TOTAL	29,359 LBS	7.24 CY
TOTAL	37,445 LBS	9.24 CY

1. SECONDARY COMPARTMENT HAS VOLUME EQUAL TO APPROXIMATELY 1/3 OF TOTAL CAPACITY.
2. JOINT BETWEEN LID AND VAULT TO BE SEALED WITH 1 ROW 1-1/2" BUTYL MASTIC SEALANT PROVIDED BY C.P.C.
3. BAFFLE IS CAST SEPARATELY FROM VAULT.

09/23/09

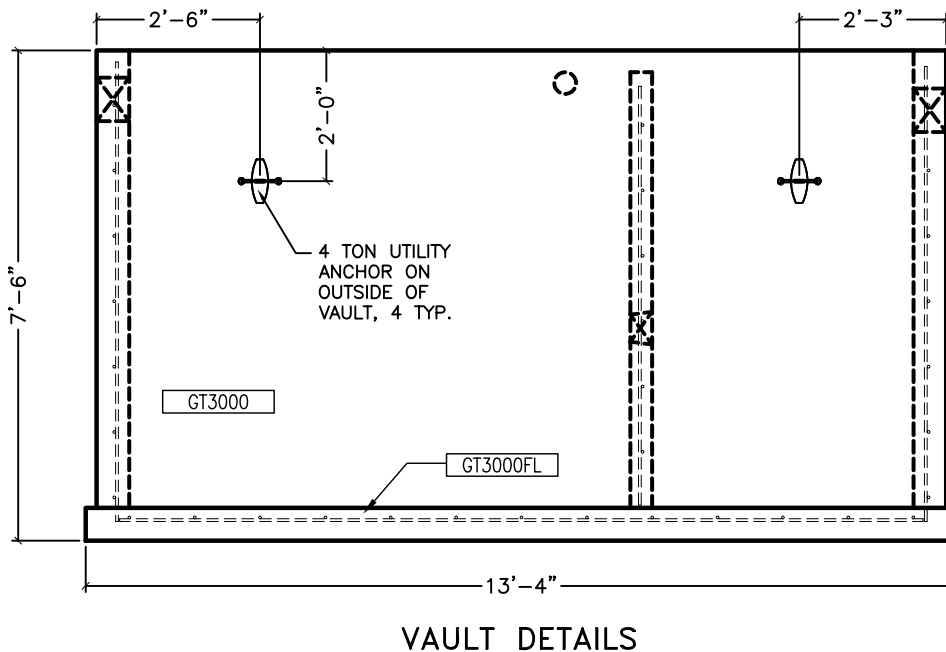
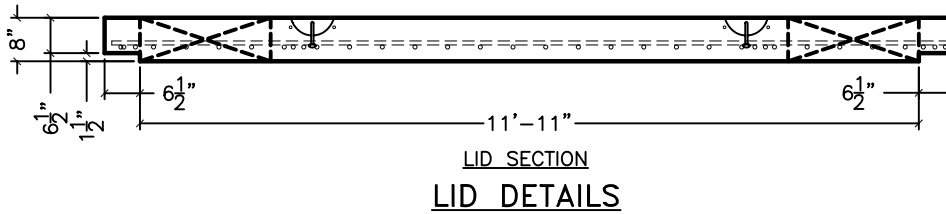
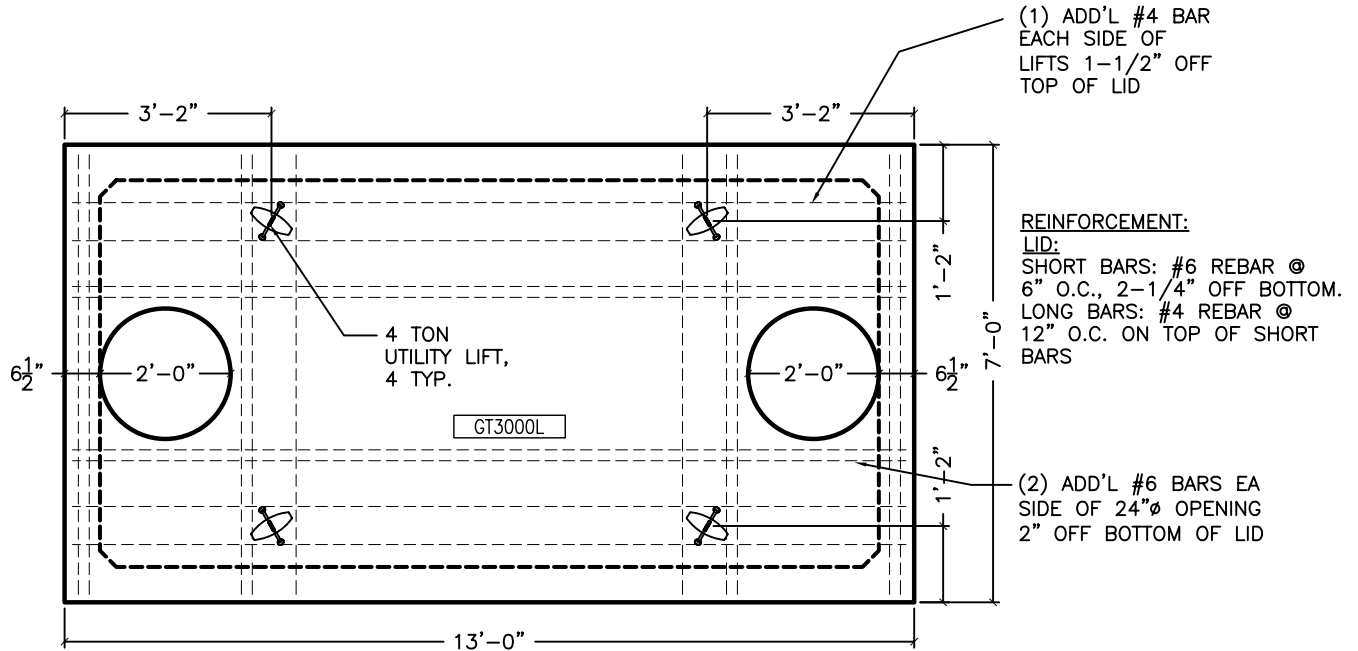
COLORADO PRECAST CONCRETE, Inc.

1820 E. HIGHWAY 402, LOVELAND, CO 80537
(970) 669-0535 FAX (970) 669-0674
www.coloprecast.com



ITEM NAME:

3000 GALLON GREASE INTERCEPTOR



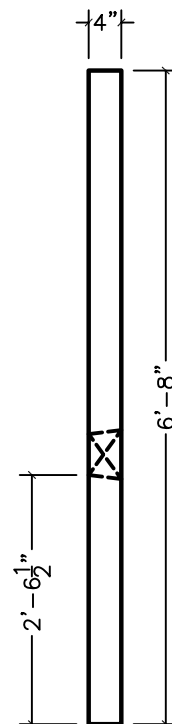
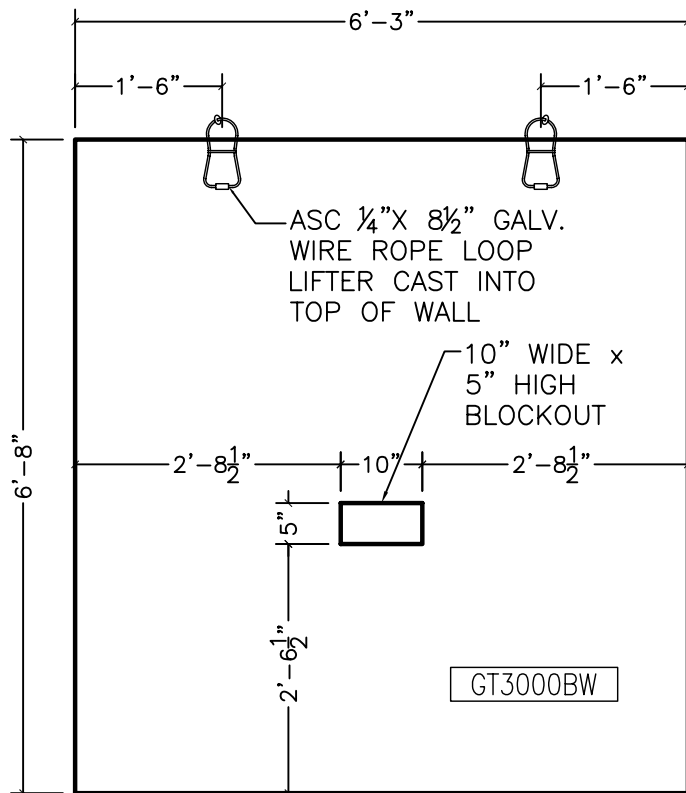
09/23/09

COLORADO PRECAST CONCRETE, Inc.
1820 E. HIGHWAY 402, LOVELAND, CO 80537
(970) 669-0535 FAX (970) 669-0674
www.coloprecast.com



ITEM NAME:

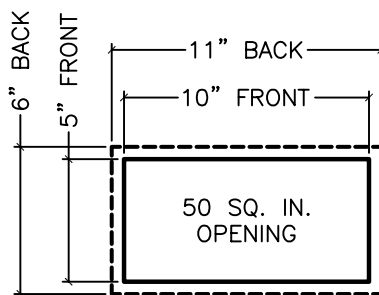
3000 GALLON GREASE INTERCEPTOR
DETAILS



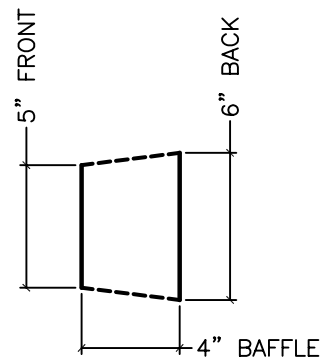
SIDE VIEW

BAFFLE:
REBAR @ 12" O.C.E.W.,
CENTERED

BAFFLE IS CAST SEPARATELY
FROM VAULT



FRONT VIEW



SECTION VIEW

BLOCKOUT DETAIL

09/23/09

COLORADO PRECAST CONCRETE, Inc.
1820 E. HIGHWAY 402, LOVELAND, CO 80537
(970) 669-0535 FAX (970) 669-0674
www.coloprecast.com



ITEM NAME:

3000 GALLON GREASE INTERCEPTOR
BAFFLE