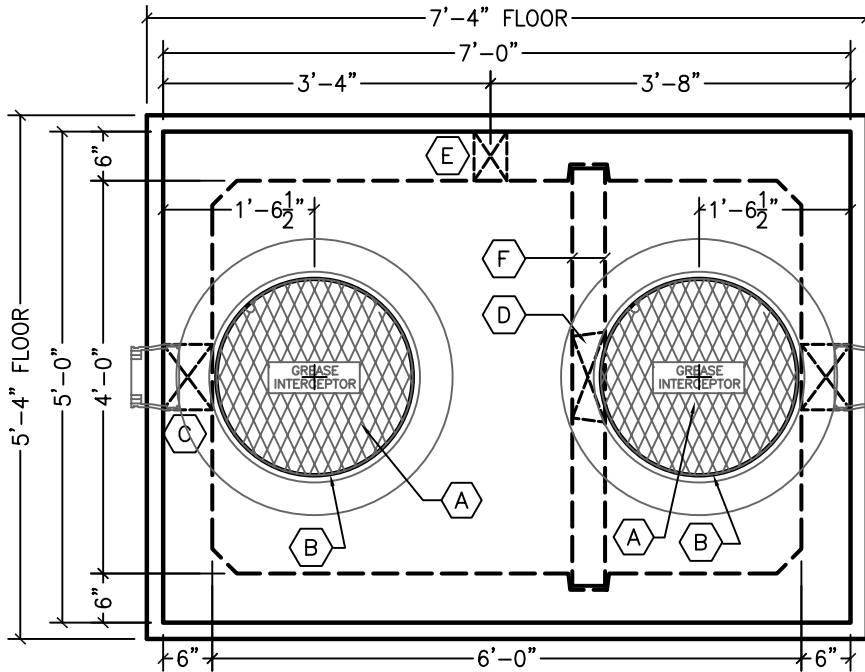
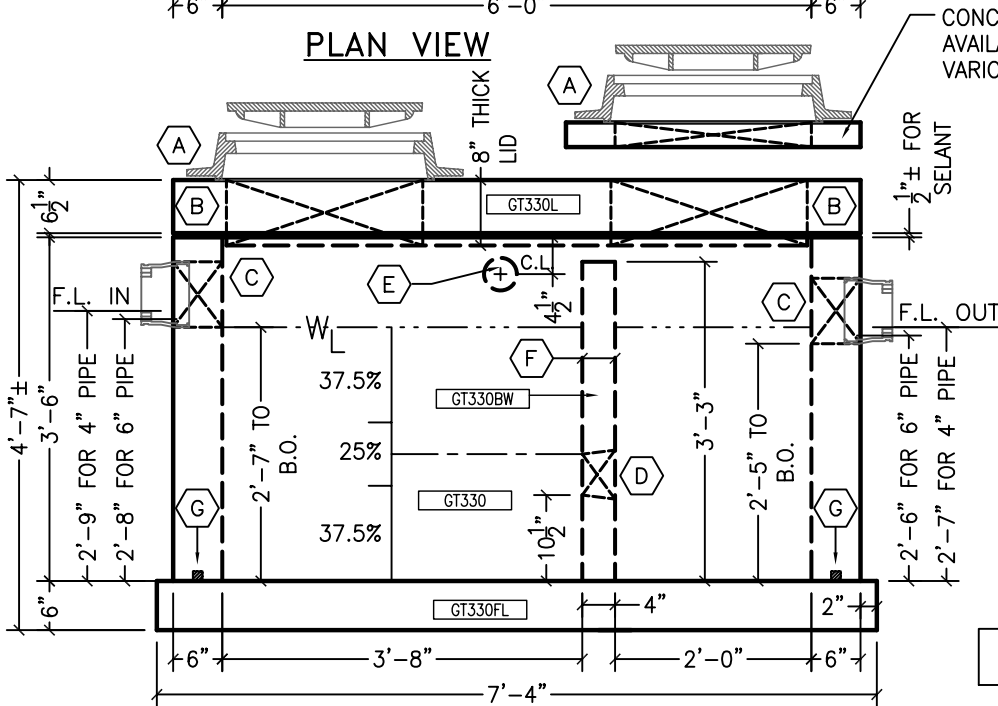


PART NO.	DESCRIPTION	QTY.
KOR02	KOR-N-SEAL S106-8SWP (4.2-5.5-6.4)	2
4PVC40C	4" SCH 40 COUPLING	1
RUB15ROLL	1 1/2" BUTYL MASTIC SEALANT ROLL	3
RUBSF302853	SYNKO-FLEX WATER STOP 1" X 36" STRIPS	9
ANCHU4	4-TON UTILITY ANCHOR #6UA444	8
CIA1043RC	D&L A-1043 RING	2
CIA1161CG	D&L A-1161 COVER STAMPED "GREASE INTERCEPTOR"	2
LIFTWRL14	1/4"x8 1/2" GALV. WIRE ROPE LIFT	2



PLAN VIEW

- (A) D&L A-1043 RING WITH A-1161 COVER STAMPED "GREASE INTERCEPTOR"
- (B) 24"Ø BLOCKOUT IN LID
- (C) 8"Ø B/O FOR S106-8SWP (4.2"-6.4" OD) KOR-N-SEAL BOOT FOR 4" OR 6" PVC
- (D) 10" WIDE x 5" HIGH BLOCKOUT IN BAFFLE
- (E) 4" SCH 40 PVC COUPLING CAST INTO VAULT WALL
- (F) 4" THICK BAFFLE WALL
- (G) SYNKO-FLEX WATERSTOP AROUND PERIMETER OF FLOOR



SECTION VIEW

CONCRETE SHIMS
AVAILABLE IN
VARIOUS HEIGHTS

GREASE INTERCEPTOR MEETS
ASTM C 1613 06 SPECIFICATIONS

LOAD RATINGS:
AASHTO HS20-44 RATED TO
6' MAX BURY

DESIGN PROPERTIES:
CONCRETE STRENGTH = 4,000 PSI
CONCRETE WEIGHT = 150 PCF
STEEL STRENGTH = 60,000 PSI
(GRADE 60)

DESIGN MANUALS
ACI 318-05
AISC LRFD 3RD EDITION
AASHTO 17th EDITION 2002

	4" PVC	6" PVC
ACTUAL CAPACITY	433 GAL	419 GAL

	WEIGHT/CONCRETE	
LID	2,648 LBS	0.65 CY
BAFFLE	691 LBS	0.17 CY
WALLS	5,719 LBS	1.41 CY
FLOOR	2,933 LBS	0.72 CY
VAULT TOTAL	8,625 LBS	2.14 CY
TOTAL	11,991 LBS	2.96 CY

- SECONDARY COMPARTMENT HAS VOLUME EQUAL TO APPROXIMATELY 1/3 OF TOTAL CAPACITY.
- JOINT BETWEEN LID AND VAULT TO BE SEALED WITH 1 ROW OF 1-1/2" BUTYL MASTIC SEALANT PROVIDED BY C.P.C.

03/03/10

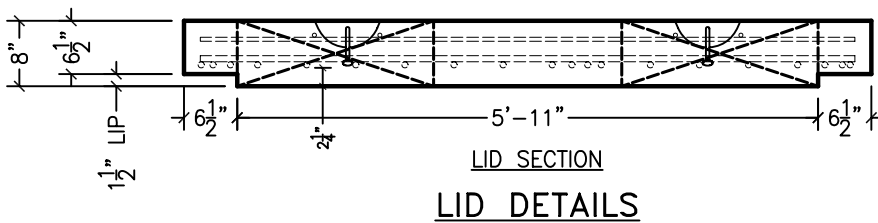
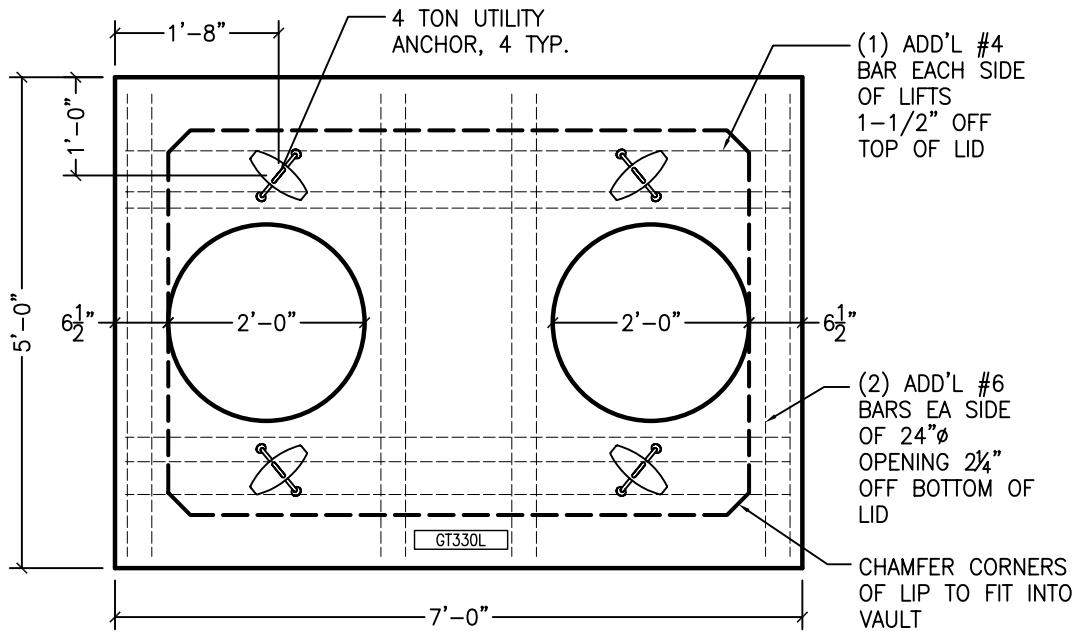
COLORADO PRECAST CONCRETE, Inc.

1820 E. HIGHWAY 402, LOVELAND, CO 80537
(970) 669-0535 FAX (970) 669-0674
www.coloprecast.com



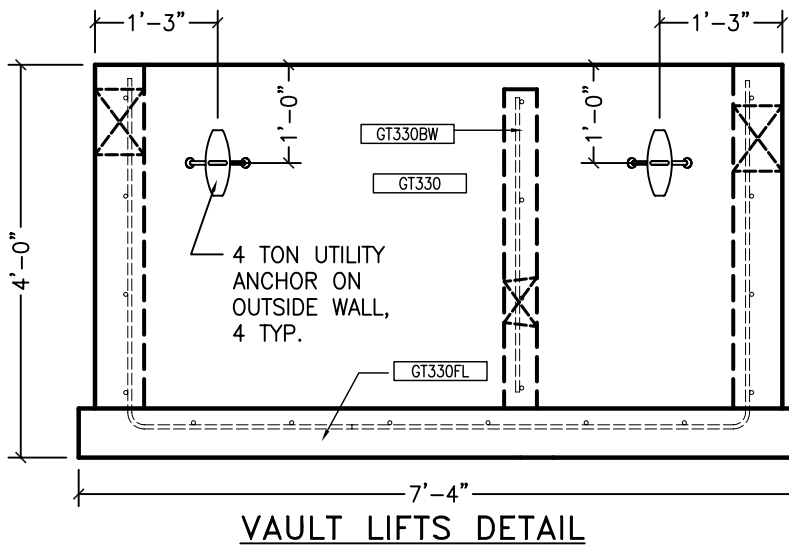
ITEM NAME:

330 GALLON GREASE INTERCEPTOR



REINFORCEMENT:

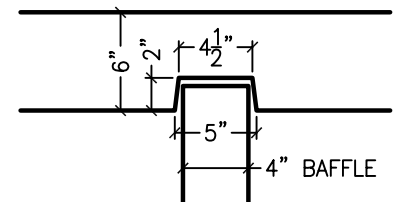
LID:
 SHORT BARS: #6 REBAR @ 6" O.C., 2-1/4" OFF BOTTOM.
 LONG BARS: #4 REBAR @ 12" O.C. ON TOP OF SHORT BARS
 (2) ADD'L #6 REBAR EACH SIDE OF ACCESS HOLES



WALLS:

VERTICAL:
 #4 U-BAR AT 12" O.C., 2" OFF INSIDE OF WALL
HORIZONTAL:
 #4 U-BAR @ 12" O.C., OUTSIDE OF VERTICAL BAR
BAFFLE:
 VERTICAL: #4 REBAR @ 12" O.C.,
 HORIZONTAL: #4 REBAR @ 12" O.C.

FLOOR:
 #4 U-BAR AT 12" O.C.E.W,
 SHORT BARS @ 1-1/2" OFF TOP OF FLOOR, LONG BARS BELOW SHORT BARS



NOTCH DETAIL

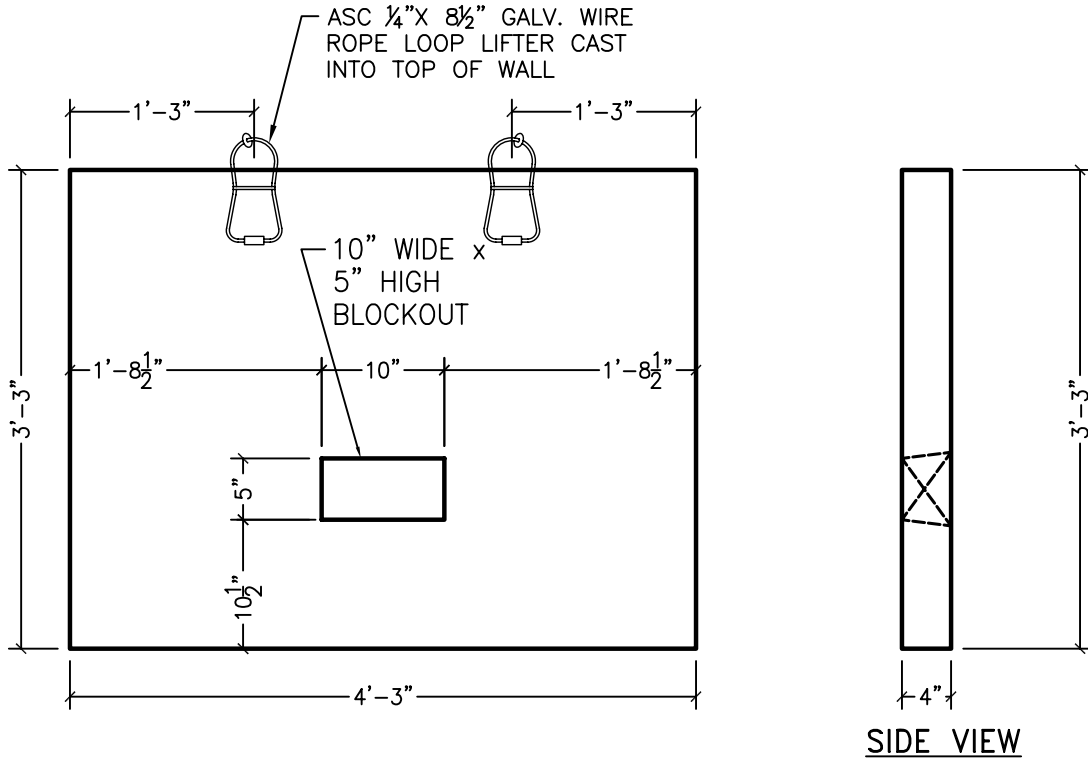
03/03/10

COLORADO PRECAST CONCRETE, Inc.
 1820 E. HIGHWAY 402, LOVELAND, CO 80537
 (970) 669-0535 FAX (970) 669-0674
 www.coloprecast.com



ITEM NAME:

**330 GALLON GREASE INTERCEPTOR
 DETAILS**



BAFFLE:

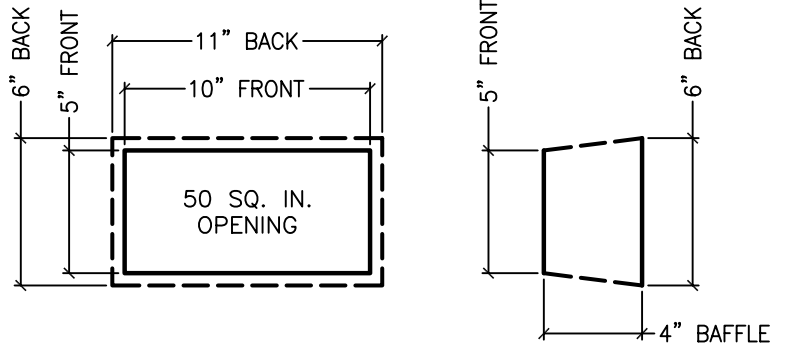
VERTICAL: #4 REBAR @ 12" O.C.

HORIZONTAL: #4 REBAR @ 12" O.C.

BAFFLE IS CAST SEPARATELY FROM THE VAULT

WEIGHT/CONCRETE:

691 LBS / 0.17 CY



FRONT VIEW

SECTION VIEW

BLOCKOUT DETAIL

03/03/10

COLORADO PRECAST CONCRETE, Inc.

1820 E. HIGHWAY 402, LOVELAND, CO 80537

(970) 669-0535 FAX (970) 669-0674

www.coloprecast.com



ITEM NAME:

**330 GALLON GREASE INTERCEPTOR
BAFFLE WALL**