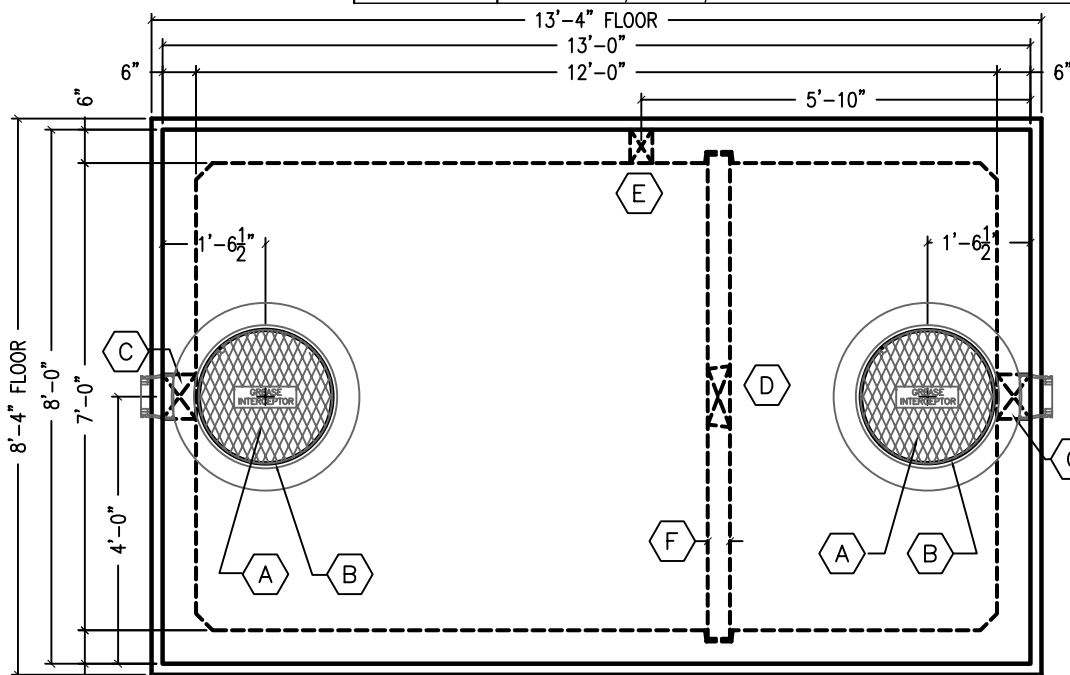
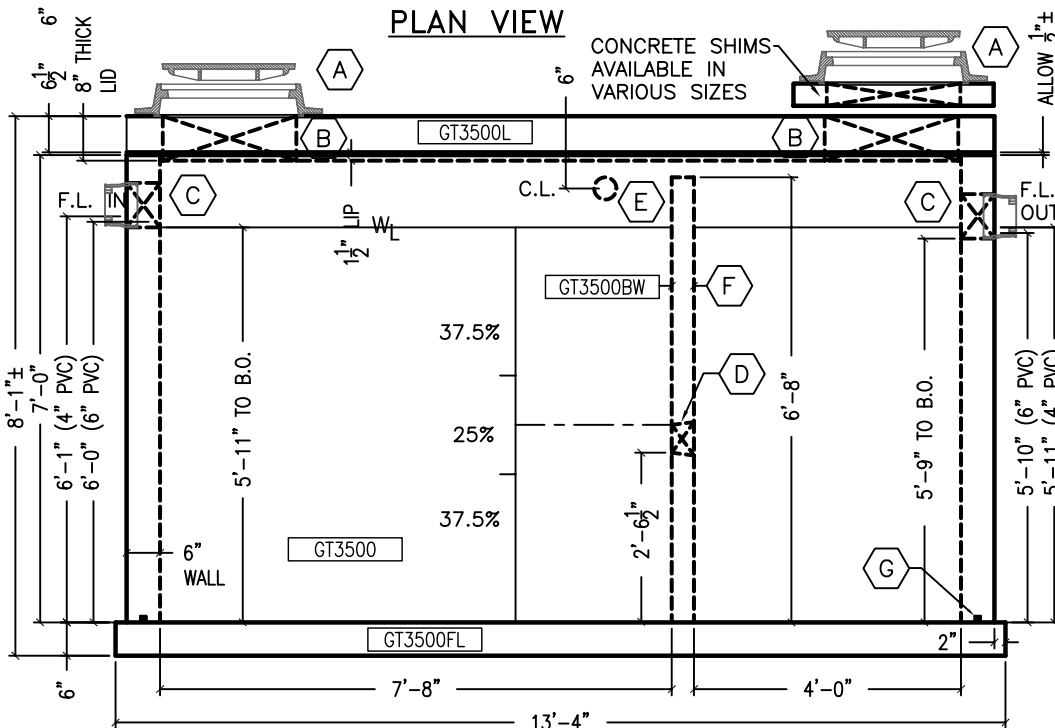


PART NO.	DESCRIPTION	QTY.
KOR02	KOR-N-SEAL S106-8SWP (4.2-5.5-6.4)	2
4PVC40C	4" SCH 40 COUPLING	1
RUB15ROLL	1 1/2" BUTYL MASTIC SEALANT ROLL	5
RUBSF302853	SYNKO-FLEX WATER STOP 1" X 36" STRIPS	14
ANCHU4	4-TON UTILITY ANCHOR #6UA444	8
CIA1043RC	D&L A-1043 RING	2
CIA1161CG	D&L A-1161 XH COVER STAMPED "GREASE INTERCEPTOR"	2
LIFTWRL14	1/4"x8 1/2" GALV. WIRE ROPE LIFT	2



- (A) D&L 24"Ø CAST IRON RING & COVER
- (B) 24"Ø BLOCKOUT IN LID
- (C) 8"Ø B/O FOR S106-8SWP (4.2"-6.4" OD) KOR-N-SEAL BOOT FOR 4" OR 6" PVC
- (D) 10" WIDE X 5" HIGH BLOCKOUT IN BAFFLE WALL
- (E) 4"Ø SCH 40 PVC COUPLING CAST INTO VAULT WALL
- (F) 4" THICK BAFFLE WALL
- (G) SYNKO-FLEX WATERSTOP AROUND PERIMETER OF FLOOR

PLAN VIEW



SECTION VIEW

GREASE INTERCEPTOR MEETS ASTM C 1613 06 SPECIFICATIONS

LOAD RATINGS:
AASHTO HS20-44 RATED WITH UP TO 1'-6" SOIL COVER

DESIGN PROPERTIES:
CONCRETE STRENGTH: 4,000 PSI
CONCRETE WEIGHT: 150 PCF
STEEL STRENGTH: 60,000 PSI (GRADE 60)

DESIGN MANUALS
ACI 318-05
AISC LRFD 3RD EDITION
AASHTO 17th EDITION 2002

	4" PVC	6" PVC
ACTUAL CAPACITY	3603 GAL	3552 GAL

	WEIGHT/CONCRETE	
LID	9,365 LBS	2.31 CY
BAFFLE	2,417 LBS	5.22 CY
WALLS	21,131 LBS	0.60 CY
FLOOR	8,333 LBS	2.06 CY
VAULT TOTAL	31,881 LBS	7.87 CY
TOTAL	41,246 LBS	10.18 CY

- SECONDARY COMPARTMENT HAS VOLUME EQUAL TO APPROXIMATELY 1/3 OF TOTAL CAPACITY.
- JOINT BETWEEN LID AND VAULT TO BE SEALED WITH 1 ROW 1-1/2" BUTYL MASTIC SEALANT PROVIDED BY C.P.C.
- BAFFLE IS FORMED SEPARATELY FROM WALLS OF VAULT.

09/21/09

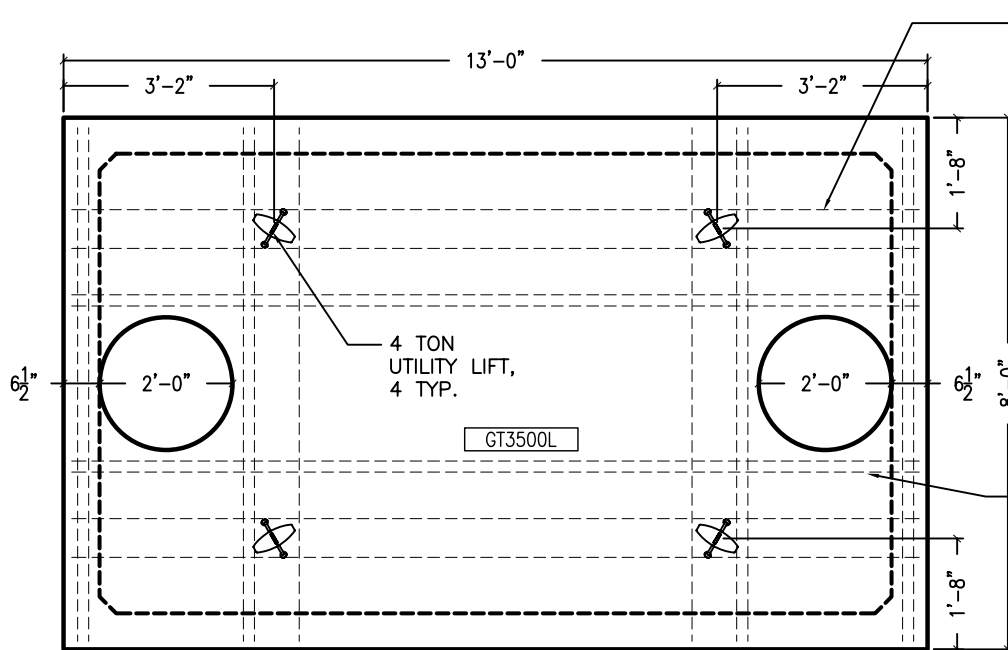
COLORADO PRECAST CONCRETE, Inc.

1820 E. HIGHWAY 402, LOVELAND, CO 80537
(970) 669-0535 FAX (970) 669-0674
www.coloprecast.com



ITEM NAME:

3500 GALLON GREASE INTERCEPTOR



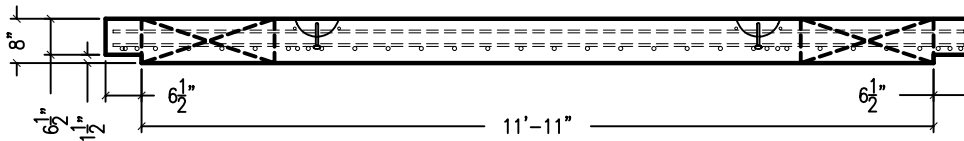
(1) ADD'L #4 BAR
EACH SIDE OF
LIFTS 1-1/2" OFF
TOP OF LID

REINFORCEMENT:

LID:
SHORT BARS: #6 REBAR @
6" O.C., 2-1/4" OFF BOTTOM.
LONG BARS: #4 REBAR @
12" O.C. ON TOP OF SHORT
BARS

(2) ADD'L #6 BARS EA
SIDE OF 24"Ø OPENING
2" OFF BOTTOM OF LID

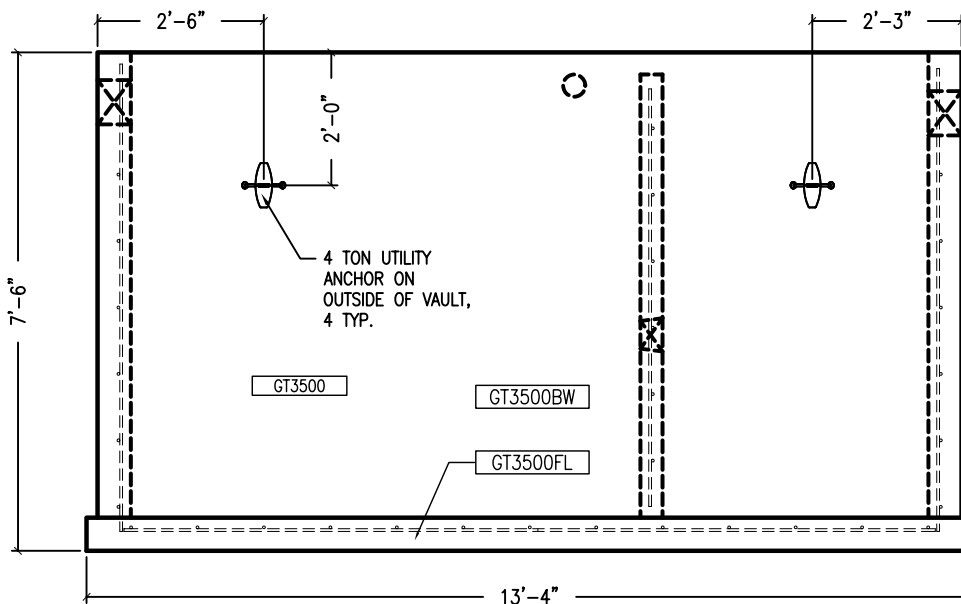
LID - TOP VIEW



**SECTION
LID DETAILS**

REINFORCEMENT:

LID:
SHORT BARS: #6 REBAR @
6" O.C., 2-1/4" OFF BOTTOM.
LONG BARS: #4 REBAR @ 12"
O.C. ON TOP OF SHORT BARS
(2) ADD'L #6 REBAR EACH
SIDE OF ACCESS HOLES



LIFT DETAILS

WALLS:

TILT-UP REBAR

VERTICAL:

#4 REBAR AT 12" O.C.,
2" OFF INSIDE OF WALL

HORIZONTAL:

#4 REBAR @ 12" O.C.,
OUTSIDE OF VERTICAL BAR

FLOOR:

#4 REBAR AT 12" O.C.E.W,
SHORT BARS @ 1-1/2" OFF
TOP OF FLOOR, LONG BARS
BELOW SHORT BARS

20"x20" L-BAR AT ALL
CORNERS (WALL TO FLOOR AND
WALL TO WALL)

BAFFLE:

VERTICAL: #4 REBAR @ 12"
O.C.E.W., CENTERED

09/21/09

COLORADO PRECAST CONCRETE, Inc.

1820 E. HIGHWAY 402, LOVELAND, CO 80537

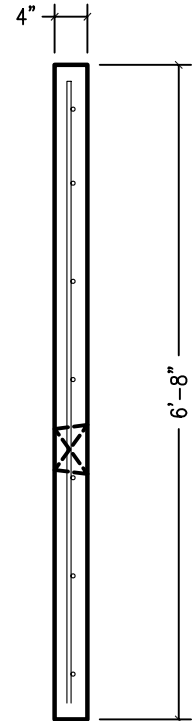
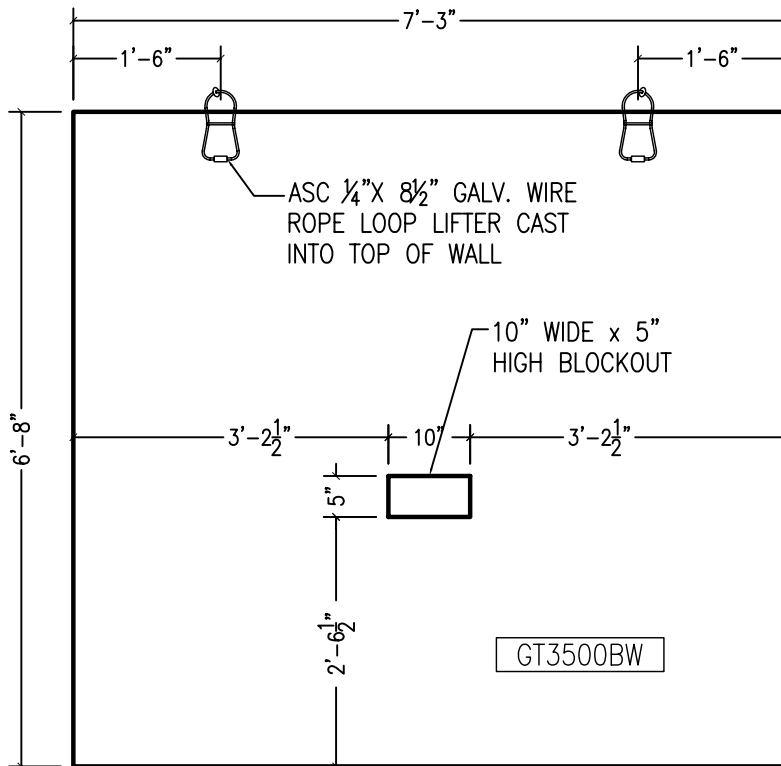
(970) 669-0535 FAX (970) 669-0674

www.coloprecast.com



ITEM NAME:

**3500 GALLON GREASE INTERCEPTOR
DETAILS**

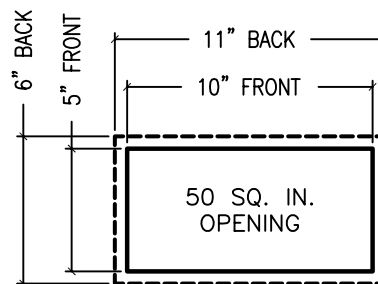


SIDE VIEW

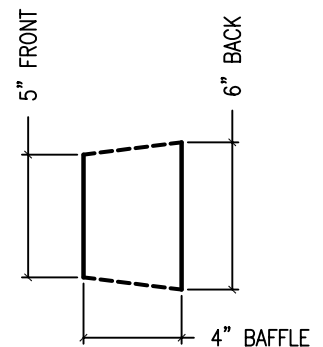
BAFFLE:
 VERTICAL: #4 REBAR @ 12" O.C.E.W.,
 CENTERED

BAFFLE IS CAST SEPARATELY FROM VAULT

	WEIGHT/CONCRETE	
BAFFLE	2,417 LBS	5.22 CY



FRONT VIEW



SECTION VIEW

BLOCKOUT DETAIL

09/21/09

COLORADO PRECAST CONCRETE, Inc.
 1820 E. HIGHWAY 402, LOVELAND, CO 80537
 (970) 669-0535 FAX (970) 669-0674
 www.coloprecast.com



ITEM NAME:

**3500 GALLON GREASE INTERCEPTOR
 BAFFLE**