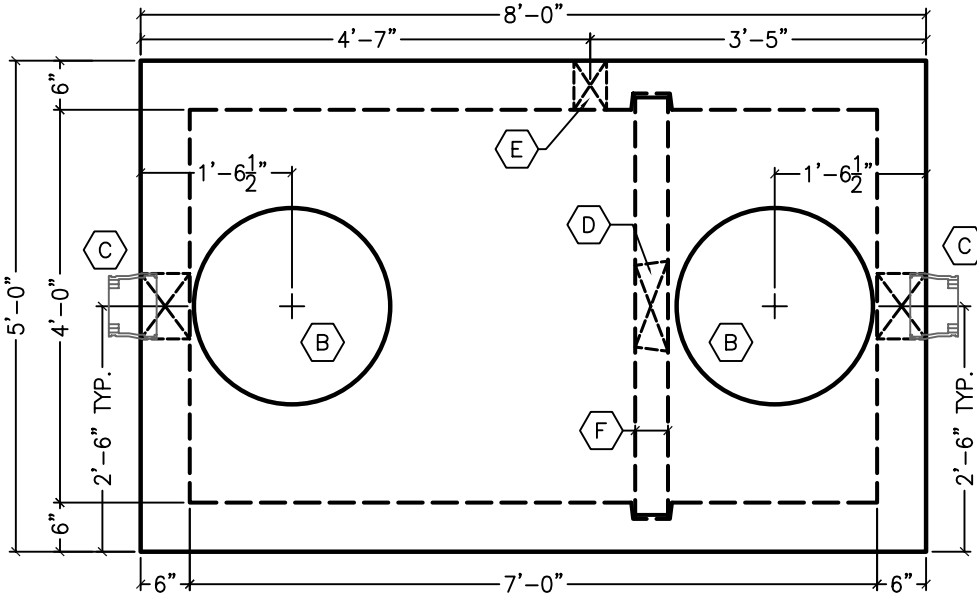
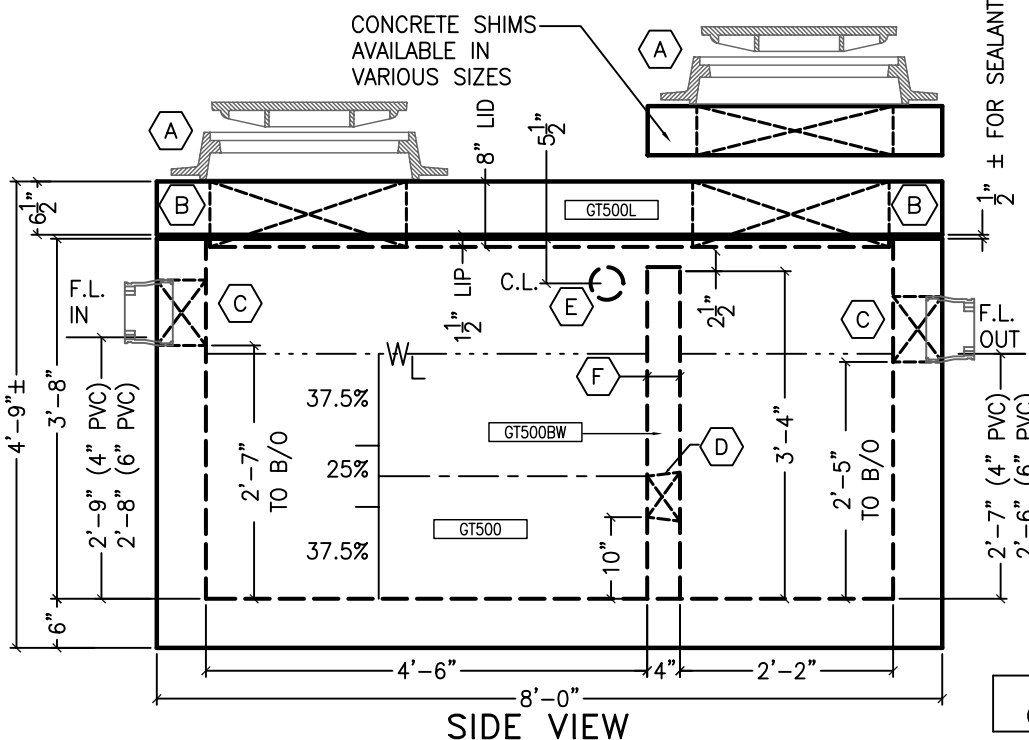


PART NO.	DESCRIPTION	QTY.
KOR02	KOR-N-SEAL S106-8SWP (4.2-5.5-6.4)	2
4PVC40C	4" SCH 40 COUPLING	1
RUB15ROLL	1 1/2" BUTYL MASTIC SEALANT ROLL	3
ANCHU4	4-TON UTILITY ANCHOR #6UA444	8
LIFTWRL14	1/4"x8 1/2" GALV. WIRE ROPE LIFT	2
CIA1043RC	D&L A-1043 RING	2
CIA1161CG	D&L A-1161 XH COVER STAMPED "GREASE INTERCEPTOR"	2



- A D&L 24"Ø CAST IRON RING & COVER
- B 24"Ø BLOCKOUT IN LID
- C 8"Ø BLOCKOUT FOR S106-8SWP (4.2"-6.4" OD) KOR-N-SEAL BOOT FOR 4" OR 6" PVC
- D 10" WIDE x 5" HIGH BLOCKOUT IN BAFFLE
- E 4" SCH 40 PVC COUPLING CAST INTO VAULT WALL
- F 4" THICK BAFFLE WALL

**PLAN VIEW**



GREASE INTERCEPTOR MEETS  
ASTM C 1613 06 SPECIFICATIONS

LOAD RATINGS:  
AASHTO HS20-44 RATED TO  
6' MAX. BURY

DESIGN PROPERTIES:  
CONCRETE STRENGTH=4,000 PSI  
CONCRETE WEIGHT=150 PCF  
STEEL STRENGTH=60,000 PSI  
(GRADE 60)

DESIGN MANUALS  
ACI 318-05  
AISC LRFD 3RD EDITION  
AASHTO 17th EDITION 2002

	4" PVC	6" PVC
ACTUAL CAPACITY	515 GAL	499 GAL

**SIDE VIEW**

- SECONDARY COMPARTMENT HAS A VOLUME EQUAL TO APPROXIMATELY 1/3 OF TOTAL CAPACITY.
- JOINT BETWEEN LID AND VAULT TO BE SEALED WITH 1 ROW OF 1-1/2" BUTYL MASTIC SEALANT PROVIDED BY C.P.C.
- BAFFLE WALL TO BE A SEPARATE POUR AND INSTALLED BY C.P.C. PRIOR TO DELIVERY.

	WEIGHT/CONCRETE	
LID	3,119 LBS	0.77 CY
BAFFLE	689 LBS	0.17 CY
VAULT	9,518 LBS	2.35 CY
TOTAL	13,325 LBS	3.29 CY

05/08/09

**COLORADO PRECAST CONCRETE, Inc.**  
1820 E. HIGHWAY 402, LOVELAND, CO 80537  
(970) 669-0535 FAX (970) 669-0674  
www.coloprecast.com

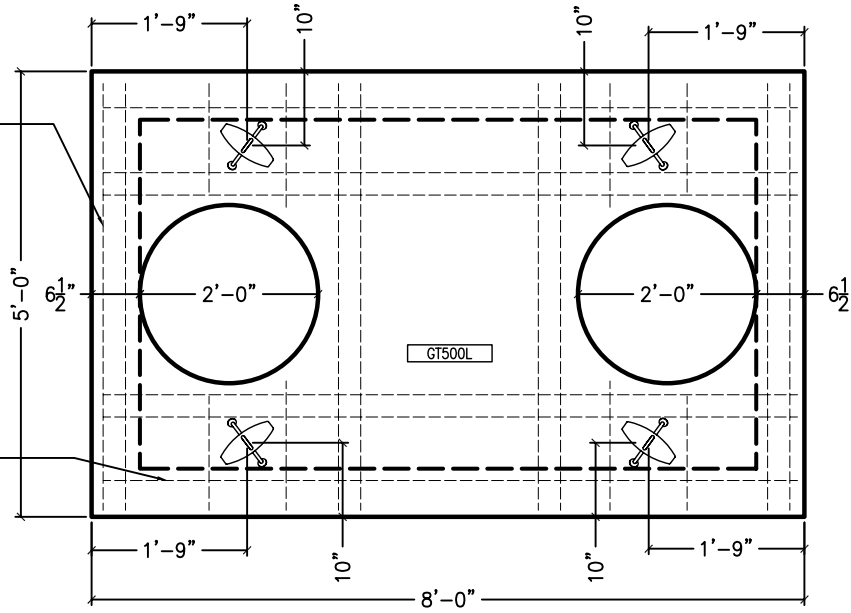


ITEM NAME:

**500 GALLON GREASE INTERCEPTOR**

ADD'L #6 REBAR  
EACH SIDE OF  
OPENING  
1-1/2" OFF BOTTOM

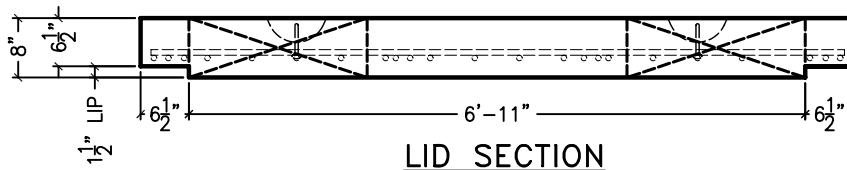
ADD'L #6 REBAR  
EACH SIDE OF LIFT  
1-1/2" OFF TOP OF  
LID



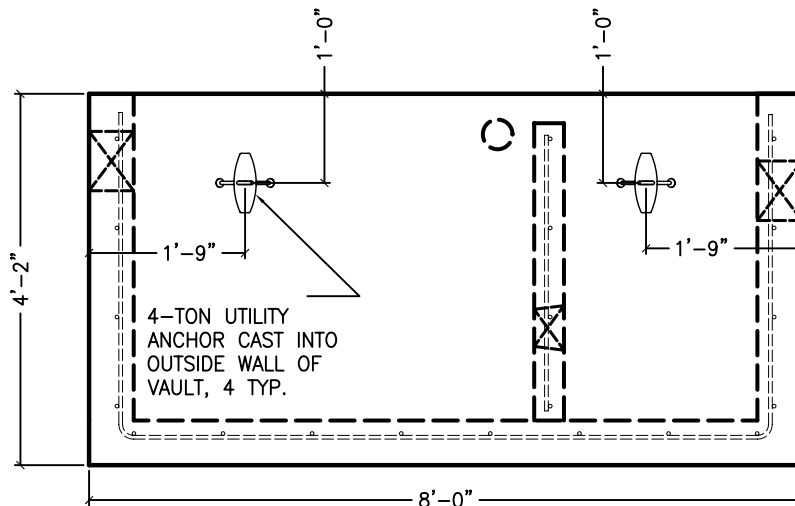
**LID PLAN VIEW**

**REINFORCEMENT:**

**LID:**  
SHORT BARS: #6 REBAR @  
6" O.C., 2-1/4" OFF BOTTOM.  
LONG BARS: #4 REBAR @  
12" O.C. ON TOP OF SHORT  
BARS  
(2) ADD'L #6 REBAR EACH  
SIDE OF ACCESS HOLES



**LID SECTION**



**VAULT LIFT LOCATION**

**WALLS:**

**VERTICAL:**  
#4 U-BAR AT 12" O.C.,  
1-1/2" OFF INSIDE OF WALL  
**HORIZONTAL:**  
#4 U-BAR @ 12" O.C.,  
OUTSIDE OF VERTICAL BAR  
**BAFFLE:**  
#4 REBAR @ 12" O.C.E.W.,  
CENTERED  
**FLOOR:**  
#4 U-BAR AT 12" O.C.E.W.,  
SHORT BARS @ 1-1/2" OFF  
TOP OF FLOOR, LONG BARS  
BELOW SHORT BARS  
U-BARS EXTEND INTO WALLS

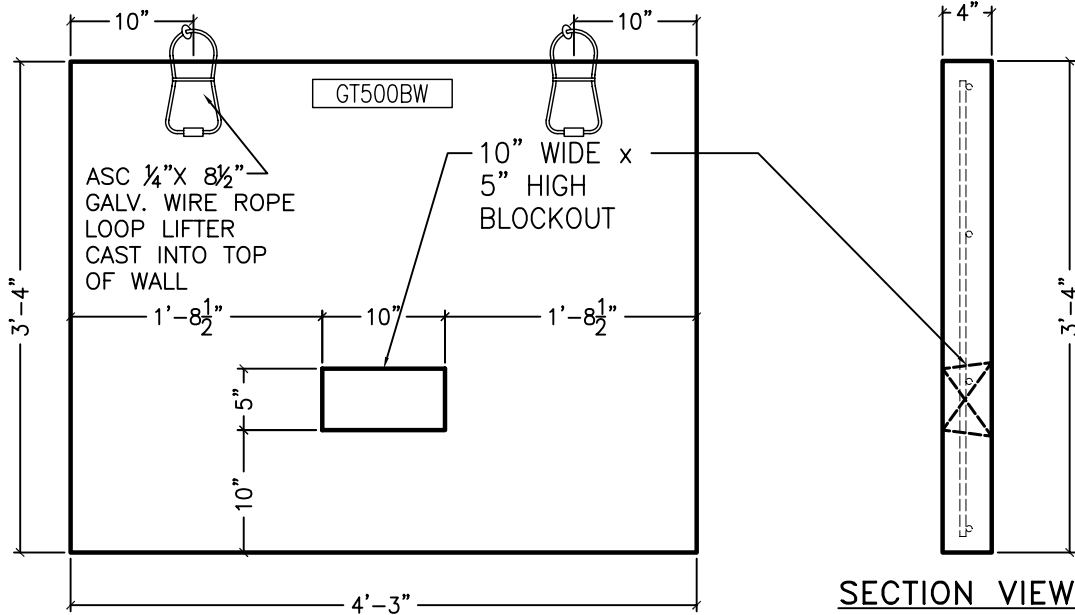
05/08/09

**COLORADO PRECAST CONCRETE, Inc.**  
1820 E. HIGHWAY 402, LOVELAND, CO 80537  
(970) 669-0535 FAX (970) 669-0674  
www.coloprecast.com



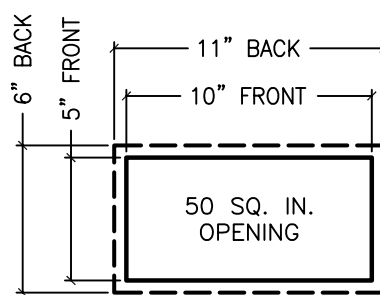
ITEM NAME:

**500 GALLON GREASE INTERCEPTOR  
DETAILS**

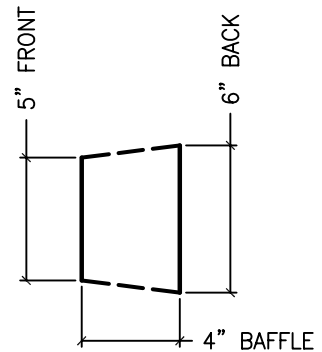


BAFFLE IS POURED SEPARATELY AND PLACED IN VAULT PRIOR TO DELIVERY

REINFORCEMENT:  
#4 REBAR @ 12" O.C.E.W.,  
CENTERED



FRONT VIEW



SECTION VIEW

BLOCKOUT DETAIL

WEIGHT/CONCRETE:  
689 LBS / 0.17 CY

05/08/09

COLORADO PRECAST CONCRETE, Inc.  
1820 E. HIGHWAY 402, LOVELAND, CO 80537  
(970) 669-0535 FAX (970) 669-0674  
www.coloprecast.com



ITEM NAME:

**500 GALLON GREASE INTERCEPTOR  
BAFFLE**