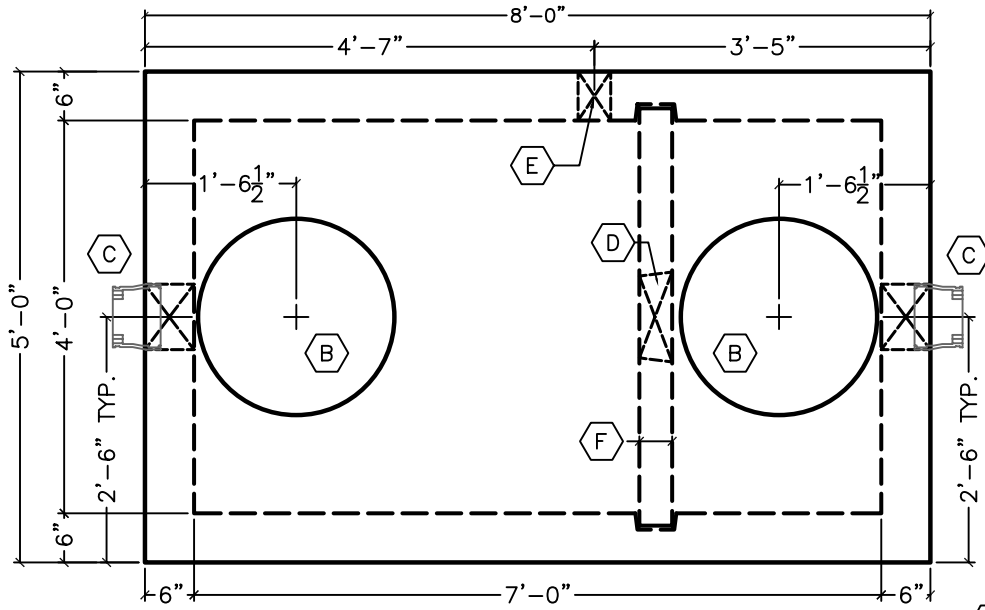
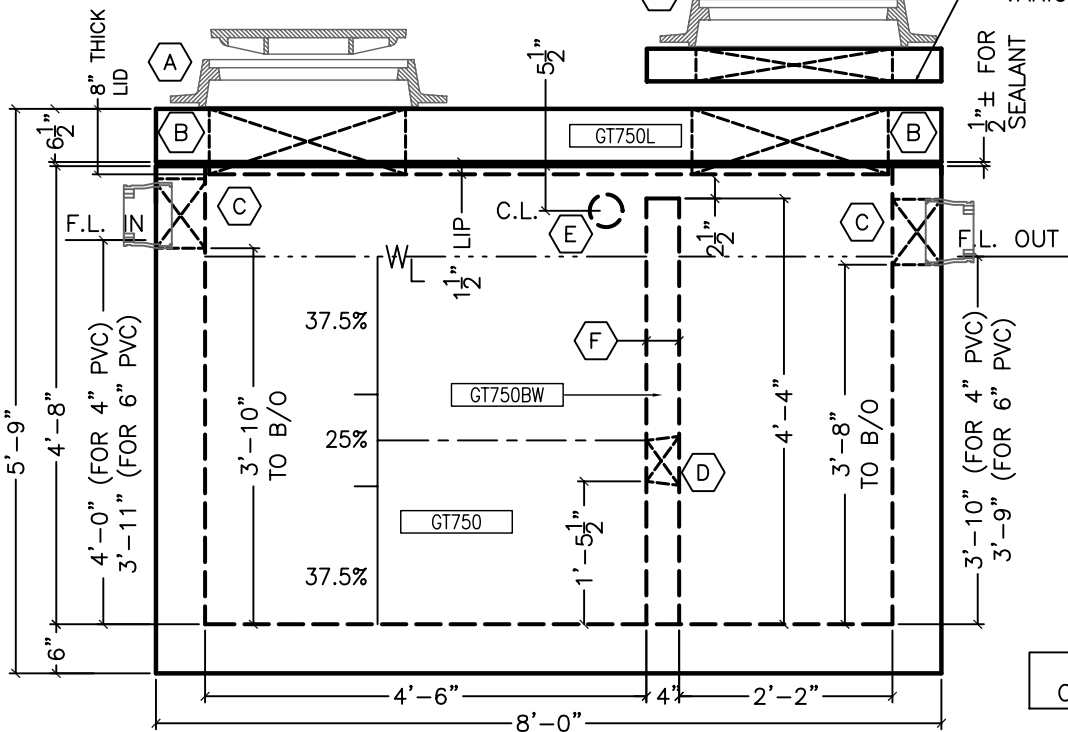


PART NO.	DESCRIPTION	QTY.
KOR02	KOR-N-SEAL S106-8SWP (4.2-5.5-6.4)	2
4PVC40C	4" SCH 40 COUPLING	1
RUB15ROLL	1 1/2" BUTYL MASTIC SEALANT ROLL	3
ANCHU4	4-TON UTILITY ANCHOR #6UA444	8
LIFTWRLL14	1/4"x8 1/2" GALV. WIRE ROPE LIFT	2
CIA1043RC	D&L A-1043 RING	2
CIA1161CSSAS	D&L A-1161 COVER STAMPED "SEWER"	2



- A D&L 24"Ø CAST IRON RING & COVER
- B 24"Ø BLOCKOUT IN LID
- C 8"Ø BLOCKOUT FOR S106-8SWP (4.2"-6.4" OD) KOR-N-SEAL BOOT FOR 4" OR 6" PVC
- D 10 WIDE x 5" HIGH BLOCKOUT IN BAFFLE
- E 4" SCH 40 PVC COUPLING CAST INTO VAULT WALL
- F 4" THICK BAFFLE WALL

PLAN VIEW



CONCRETE SHIMS AVAILABLE IN VARIOUS SIZES

GREASE INTERCEPTOR MEETS ASTM C 1613 06 SPECIFICATIONS

LOAD RATINGS:
AASHTO HS20-44 RATED TO 6' MAX. BURY

DESIGN PROPERTIES:
CONCRETE STRENGTH=4,000 PSI
CONCRETE WEIGHT=150 PCF
STEEL STRENGTH=60,000 PSI (GRADE 60)

DESIGN MANUALS
ACI 318-05
AISC LRFD 3RD EDITION
AASHTO 17th EDITON 2002

	4" PVC	6" PVC
ACTUAL CAPACITY	765 GAL	748 GAL

- SECONDARY COMPARTMENT HAS A VOLUME EQUAL TO APPROXIMATELY 1/3 OF TOTAL CAPACITY.
- JOINT BETWEEN LID AND VAULT TO BE SEALED WITH 1 ROW OF 1-1/2" BUTYL MASTIC SEALANT PROVIDED BY C.P.C.
- BAFFLE WALL TO BE A SEPARATE POUR AND INSTALLED BY C.P.C. PRIOR TO DELIVERY.

	WEIGHT/CONCRETE	
LID	3,119 LBS	0.77 CY
BAFFLE	891 LBS	0.22 CY
VAULT	11,300 LBS	2.79 CY
TOTAL	15,309 LBS	3.78 CY

05/11/09

COLORADO PRECAST CONCRETE, Inc.

1820 E. HIGHWAY 402, LOVELAND, CO 80537
(970) 669-0535 FAX (970) 669-0674
www.coloprecast.com

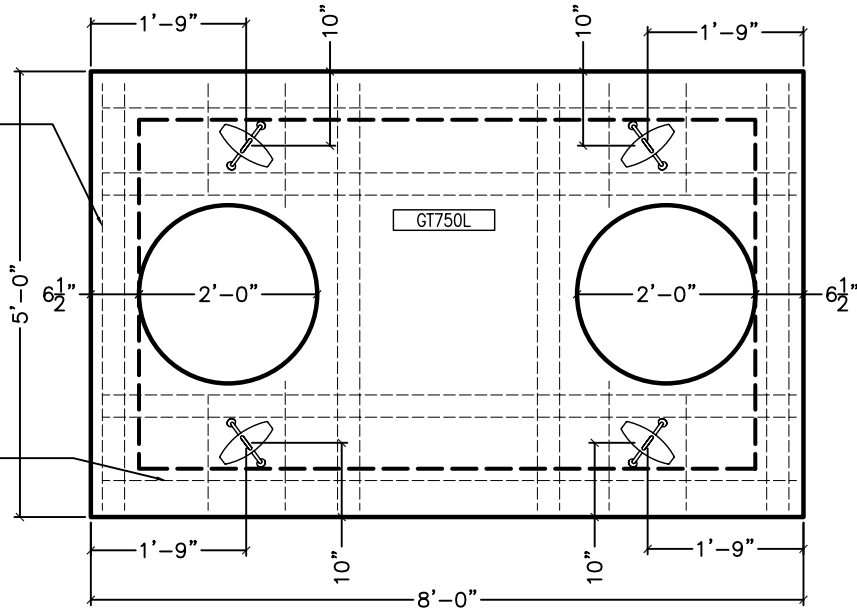


ITEM NAME:

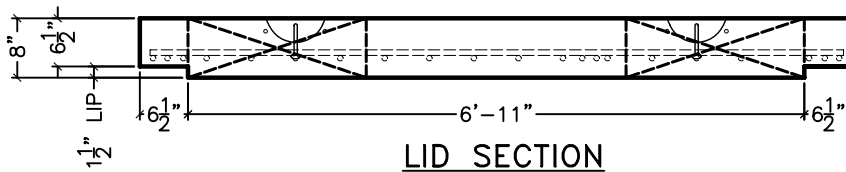
750 GALLON GREASE INTERCEPTOR

ADD'L #6 REBAR
EACH SIDE OF
OPENING
1-1/2" OFF
BOTTOM

ADD'L #6 REBAR
EACH SIDE OF LIFT
1-1/2" OFF TOP
OF LID



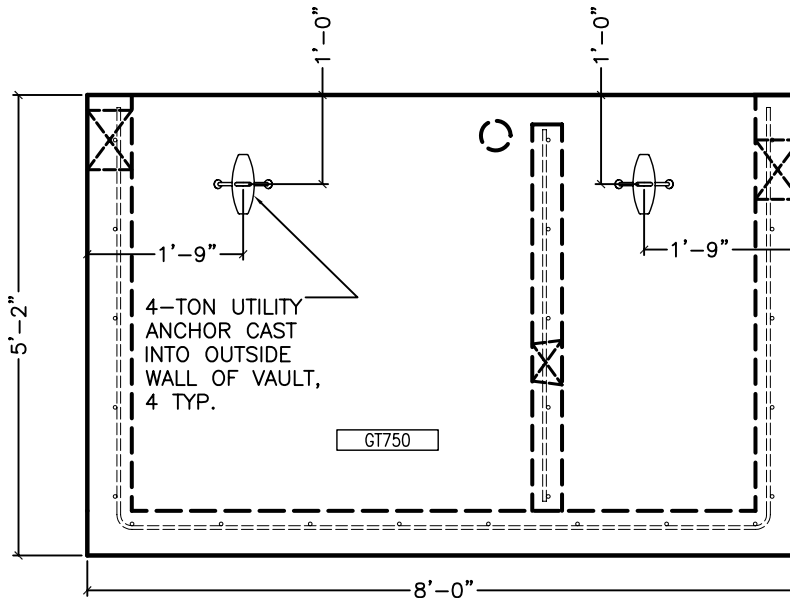
LID PLAN VIEW



LID SECTION

REINFORCEMENT:

LID:
SHORT BARS: #6 REBAR @ 6" O.C.,
2-1/4" OFF BOTTOM. LONG BARS:
#4 REBAR @ 12" O.C. ON TOP OF
SHORT BARS
(2) ADD'L #6 REBAR EACH
SIDE OF ACCESS HOLES



VAULT LIFT LOCATION

WALLS:

VERTICAL:
#4 U-BAR AT 12" O.C., 1-1/2"
OFF INSIDE OF WALL
HORIZONTAL:
#4 U-BAR @ 12" O.C., OUTSIDE
OF VERTICAL BAR

BAFFLE:

#4 REBAR @ 12" O.C.E.W.,
CENTERED

FLOOR:

#4 U-BAR AT 12" O.C.E.W,
SHORT BARS @ 1-1/2" OFF
TOP OF FLOOR, LONG BARS
BELOW SHORT BARS
U-BARS EXTEND INTO WALLS

05/11/09

COLORADO PRECAST CONCRETE, Inc.

1820 E. HIGHWAY 402, LOVELAND, CO 80537

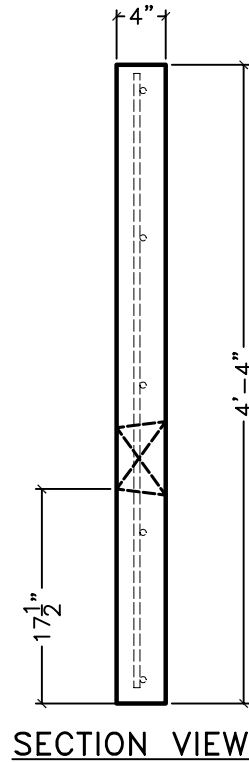
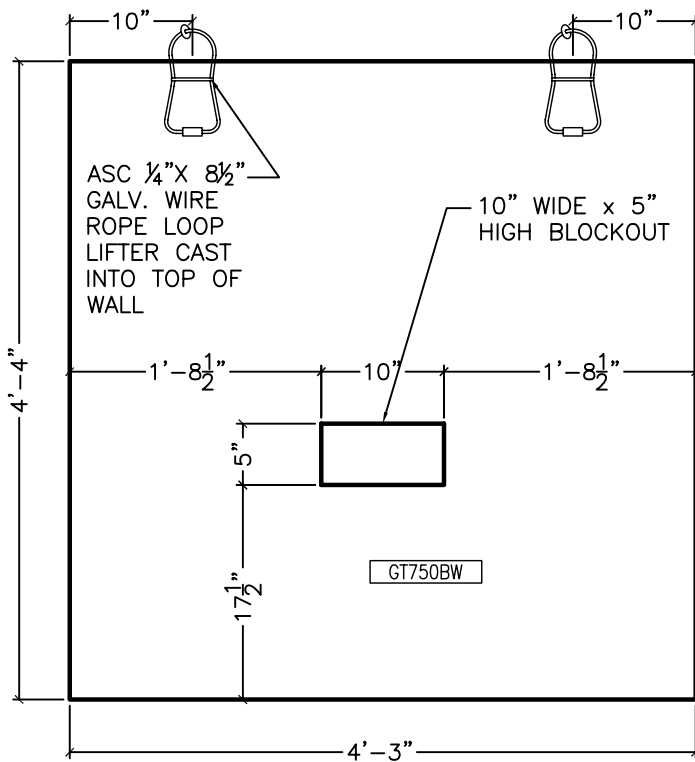
(970) 669-0535 FAX (970) 669-0674

www.coloprecast.com



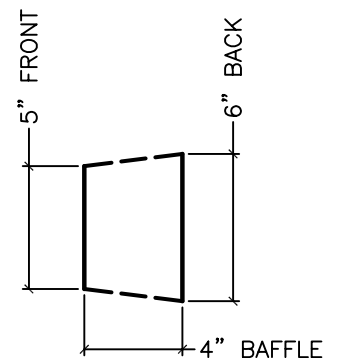
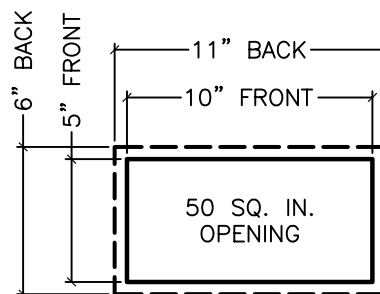
ITEM NAME:

**750 GALLON GREASE INTERCEPTOR
DETAILS**



BAFFLE IS POURED SEPARATELY
AND PLACED IN VAULT PRIOR
TO DELIVERY

REINFORCEMENT:
#4 REBAR @ 12" O.C.E.W.,
CENTERED



FRONT VIEW

SECTION VIEW

BLOCKOUT DETAIL

WEIGHT/CONCRETE:
891 LBS / 0.22 CY

05/11/09

COLORADO PRECAST CONCRETE, Inc.

1820 E. HIGHWAY 402, LOVELAND, CO 80537
(970) 669-0535 FAX (970) 669-0674
www.coloprecast.com



ITEM NAME:

**750 GALLON GREASE INTERCEPTOR
BAFFLE**