

NOTE:
CABLE RESTRAINT FOR LID
AVAILABLE ON REQUEST

SIZE: 35 GALLON CAPACITY
COLOR: AVAILABLE ON REQUEST
FINISH: AVAILABLE ON REQUEST
CAT#: TR35

3/07/06

RECEPTACLE WEIGHT/CONCRETE: 348 LBS/ 2.32 CF

COLORADO PRECAST CONCRETE, Inc.

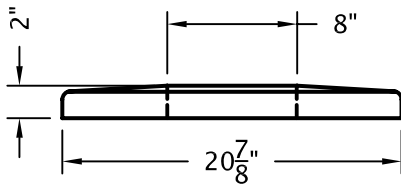
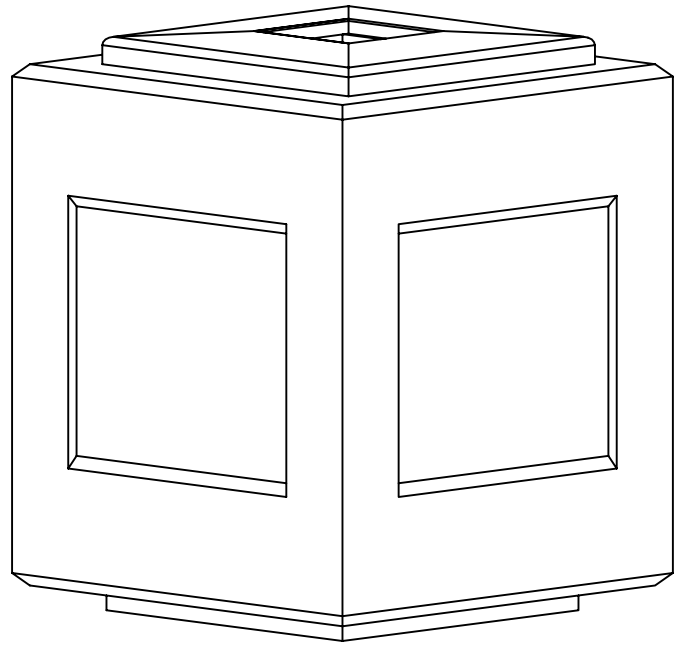
1820 S.E. 14TH ST., LOVELAND, CO 80537
(970) 669-0535 FAX (970) 669-0674



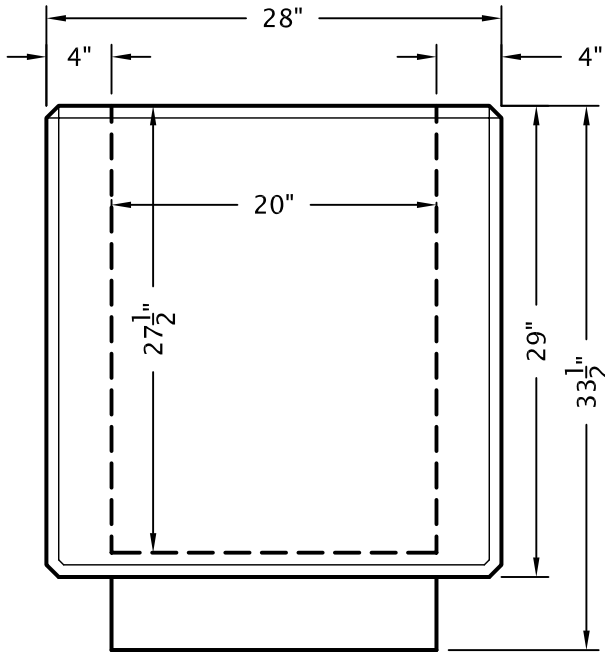
www.coloprecast.com

ITEM NAME:

35 GALLON TRASH RECEPTACLE



METAL LID



NOTE:
AVAILABLE SMOOTH OR
INDENTATION ON SIDES

SIZE: 48± GALLON CAPACITY
COLOR: AVAILABLE ON REQUEST
FINISH: AVAILABLE ON REQUEST
CAT.# TR55

RECEPTACLE WEIGHT/CONCRETE: 1,175 LBS / 7.8 CF

3/30/05

COLORADO PRECAST CONCRETE, Inc.

1820 S.E. 14TH ST., LOVELAND, CO 80537
(970) 669-0535 FAX (970) 669-0674



www.coloprecast.com

ITEM NAME:

48 GALLON TRASH RECEPTACLE