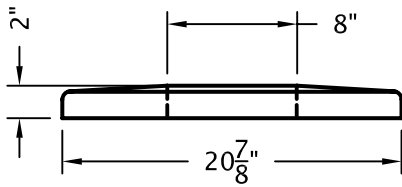
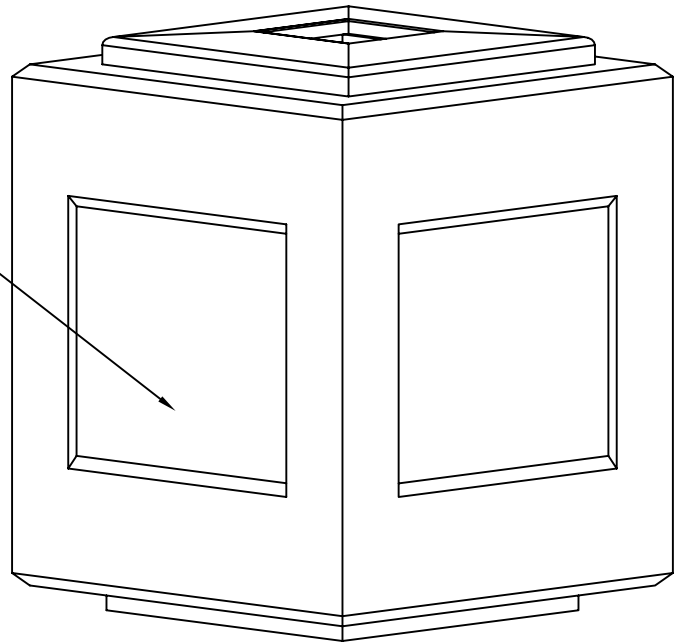
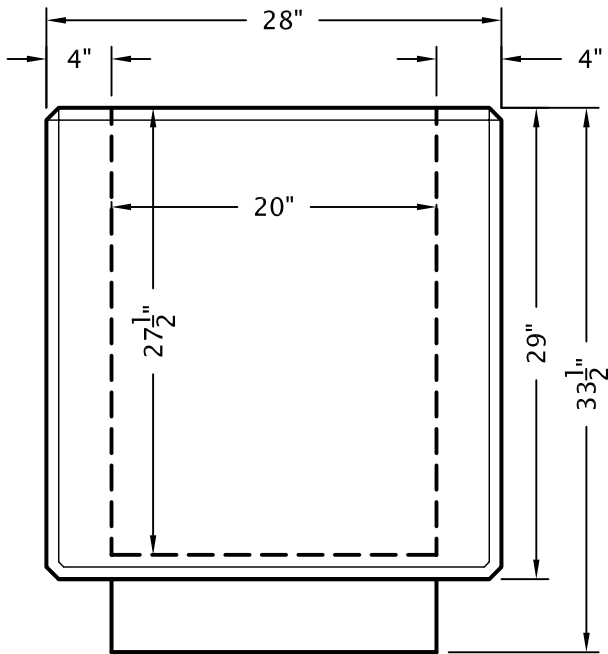


AVAILABLE SMOOTH OR
INDENTATION ON SIDES



METAL LID



SIZE: 48± GALLON CAPACITY
COLOR: AVAILABLE ON REQUEST
FINISH: AVAILABLE ON REQUEST
CAT.# TR55

RECEPTACLE WEIGHT/CONCRETE: 1,212 LBS / 8.1 CF

8/11/06

COLORADO PRECAST CONCRETE, Inc.

1820 S.E. 14TH ST., LOVELAND, CO 80537
(970) 669-0535 FAX (970) 669-0674



www.coloprecast.com

ITEM NAME:

45 GALLON TRASH RECEPTACLE