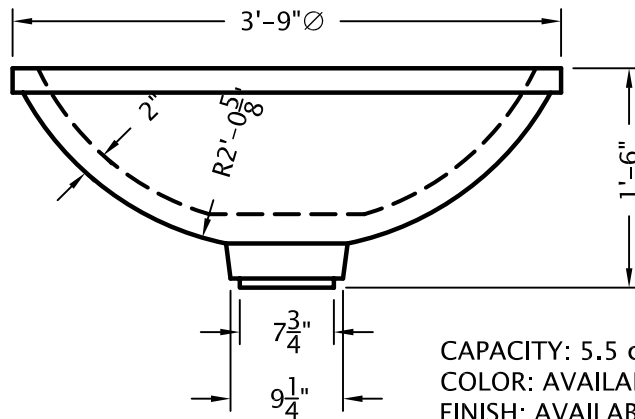
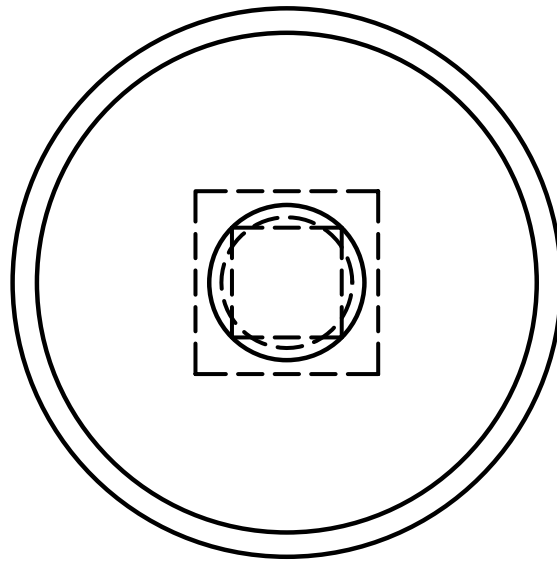


STAND



WEIGHT: 415 LBS
 CONCRETE: 2.8 CF

CAPACITY: 5.5 cu. ft. (140 qts.)
 COLOR: AVAILABLE ON REQUEST
 FINISH: AVAILABLE ON REQUEST
 CAT.# PLT-B45

8/30/05

COLORADO PRECAST CONCRETE, Inc.

1820 S.E. 14TH ST., LOVELAND, CO 80537
 (970) 669-0535 FAX (970) 669-0674

www.coloprecast.com



ITEM NAME:

3'-9"Ø PLANTER BOWL