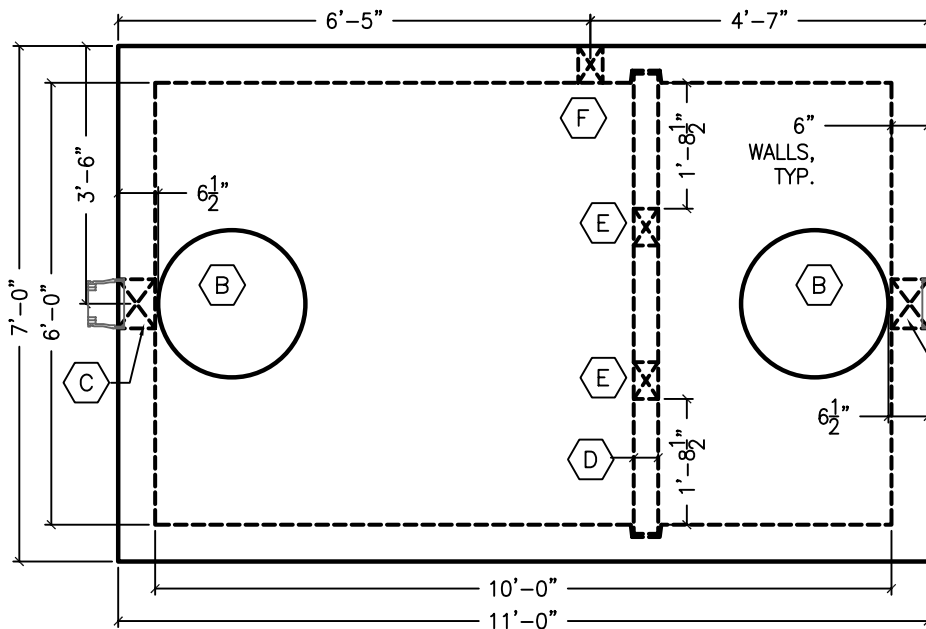
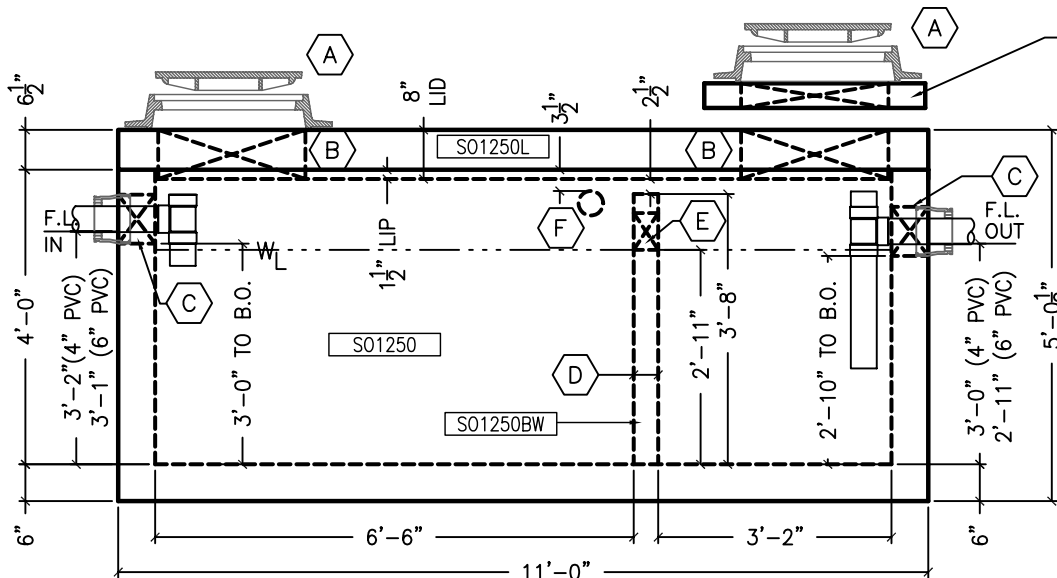


PART NO.	DESCRIPTION	QTY.
KOR02	KOR-N-SEAL S106-8SWP (4.2-5.5-6.4)	2
4PVC40C	4" SCH 40 COUPLING	1
RUB15ROLL	1 1/2" BUTYL MASTIC SEALANT ROLL	3
ANCHU4	4-TON UTILITY ANCHOR #6UA444	8
LIFTWRL14	1/4"x8 1/2" GALV. WIRE ROPE LIFT	2
CIA1043RC	D&L A-1043 RING	2
CIA1161CSSAS	D&L A-1161 COVER STAMPED "SEWER"	2



**PLAN VIEW**

- (A) D&L 24"Ø CAST IRON RING & COVER
- (B) 24"Ø BLOCKOUT IN LID
- (C) 8"Ø B/O FOR S106-8SWP (4.2"-6.4" OD) KOR-N-SEAL BOOT FOR 4" OR 6" PVC
- (D) 4" THICK BAFFLE WALL
- (E) 6"x6" BLOCKOUT
- (F) 4"Ø SCH 40 PVC COUPLING CAST INTO VAULT WALL



**SIDE VIEW**

CONCRETE SHIMS AVAILABLE IN VARIOUS SIZES

LOAD RATINGS:  
AASHTO HS20-44 RATED TO 1'-6" MAX. BURY

DESIGN PROPERTIES:  
CONCRETE STRENGTH: 4,000 PSI  
CONCRETE WEIGHT: 150 PCF  
STEEL STRENGTH: 60,000 PSI (GRADE 60)

DESIGN MANUALS  
ACI 318-05  
AISC LRFD 3RD EDITION  
AASHTO 17th EDITON 2002

	4" PVC	6" PVC
ACTUAL CAPACITY	1302 GAL	1265 GAL

- SECONDARY COMPARTMENT HAS VOLUME EQUAL TO APPROXIMATELY 1/3 OF THE TOTAL CAPACITY.
- (2) S106-8SWP KOR-N-SEAL BOOTS FURNISHED BY COLORADO PRECAST CONCRETE (C.P.C.).
- JOINT BETWEEN LID AND VAULT TO BE SEALED WITH 1 ROW 1-1/2" BUTYL MASTIC SEALANT PROVIDED BY C.P.C.
- BAFFLE WALL TO BE A SEPARATE POUR AND INSTALLED BY C.P.C. BEFORE DELIVERY.
- ALL PIPES AND FITTINGS TO BE PROVIDED BY OTHERS

	WEIGHT/CONCRETE	
LID	6,723 LBS	1.66 CY
BAFFLE	1,134 LBS	0.28 CY
VAULT	15,876 LBS	3.92 CY
TOTAL	23,733 LBS	5.86 CY

04/15/09

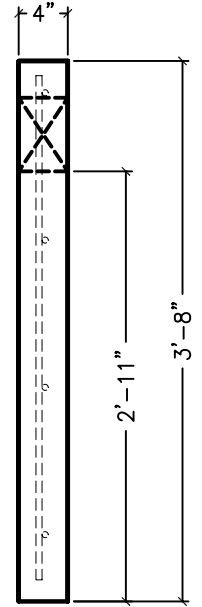
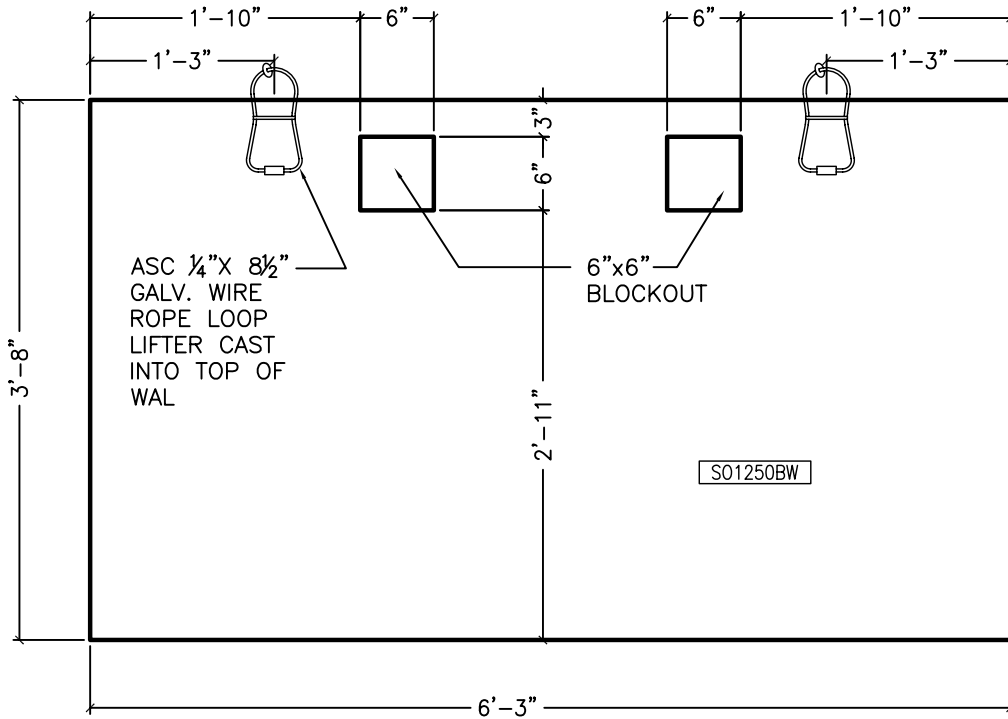
**COLORADO PRECAST CONCRETE, Inc.**

1820 E. HIGHWAY 402, LOVELAND, CO 80537  
(970) 669-0535 FAX (970) 669-0674  
www.coloprecast.com



ITEM NAME:

**1250 GALLON SAND & OIL INTERCEPTOR**



SECTION

BAFFLE IS POURED SEPARATELY AND PLACED IN VAULT PRIOR TO DELIVERY

REINFORCEMENT:  
#4 REBAR @ 12"  
O.C.E.W., CENTERED

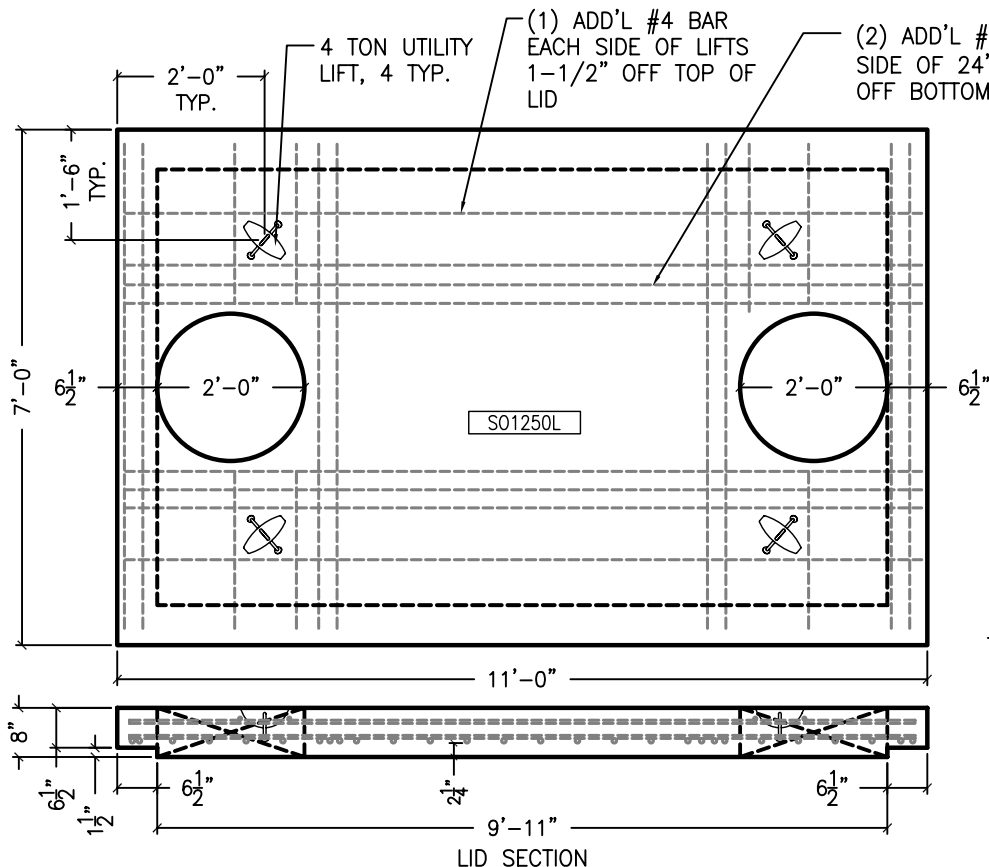
WEIGHT/CONCRETE:  
1,147 LBS/0.28 CY

04/15/09

**COLORADO PRECAST CONCRETE, Inc.**  
1820 E. HIGHWAY 402, LOVELAND, CO 80537  
(970) 669-0535 FAX (970) 669-0674  
www.coloprecast.com

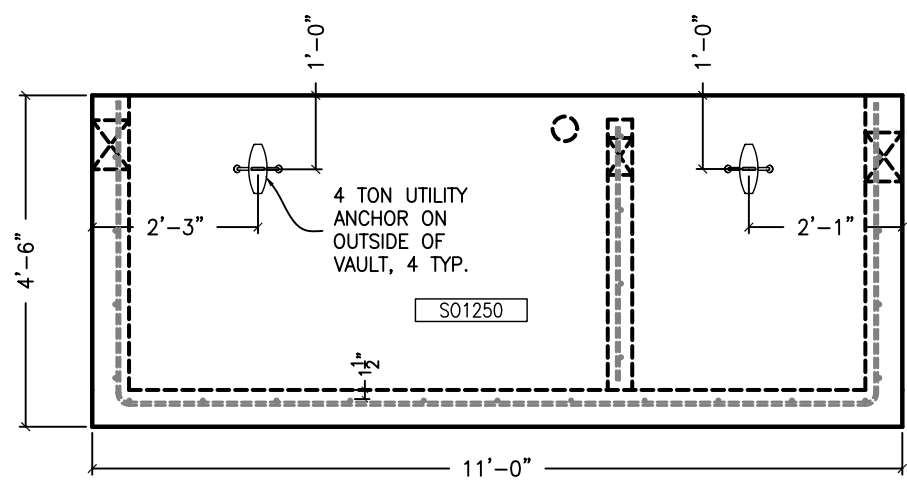


ITEM NAME:  
**1250 GALLON SAND & OIL INTERCEPTOR  
BAFFLE**



LID SECTION  
LID DETAILS

**REINFORCEMENT:**  
**LID:**  
 SHORT BARS: #6 REBAR @ 6" O.C., 2-1/4" OFF BOTTOM. LONG BARS: #4 REBAR @ 12" O.C. ON TOP OF SHORT BARS  
 (2) ADD'L #6 REBAR EACH SIDE OF ACCESS HOLES



VAULT LIFT LOCATION

**WALLS:**  
**VERTICAL:**  
 #4 U-BAR AT 12" O.C., 1-1/2" OFF INSIDE OF WALL  
**HORIZONTAL:**  
 #4 U-BAR @ 12" O.C., OUTSIDE OF VERTICAL BAR  
**BAFFLE:**  
 #4 REBAR @ 12" O.C.E.W., CENTERED  
**FLOOR:**  
 #4 U-BAR AT 12" O.C.E.W., SHORT BARS @ 1-1/2" OFF TOP OF FLOOR, LONG BARS BELOW SHORT BARS  
 U-BARS EXTEND INTO WALLS

04/15/09

COLORADO PRECAST CONCRETE, Inc.  
 1820 E. HIGHWAY 402, LOVELAND, CO 80537  
 (970) 669-0535 FAX (970) 669-0674  
 www.coloprecast.com



ITEM NAME:  
**1250 GALLON SAND & OIL INTERCEPTOR**  
**DETAILS**