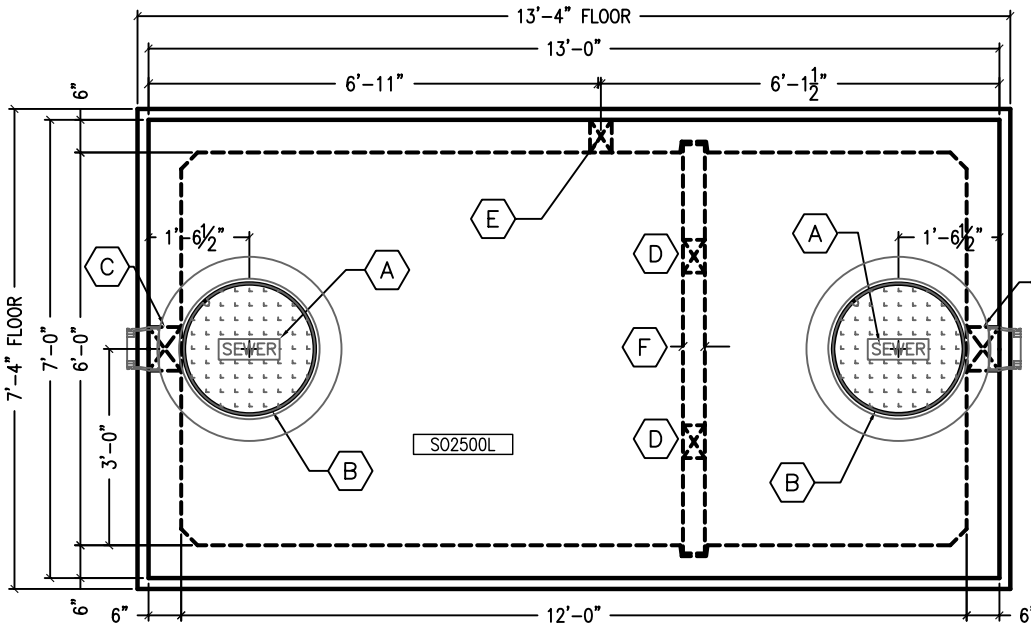
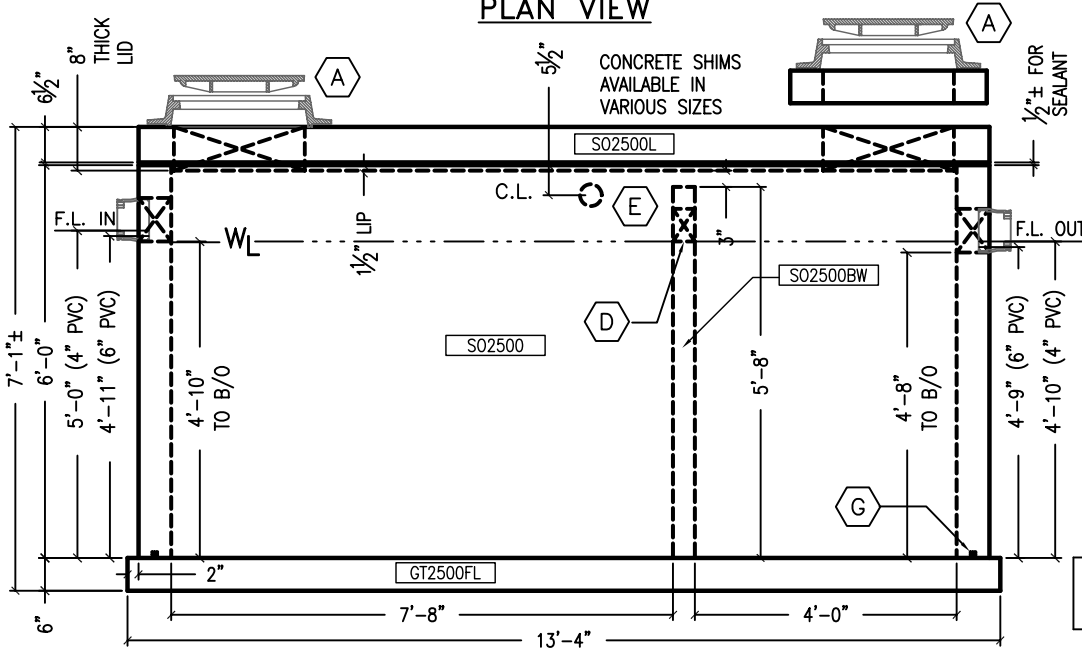


PART NO.	DESCRIPTION	QTY.
KOR02	KOR-N-SEAL S106-8SWP (4.2-5.5-6.4)	2
4PVC40C	4" SCH 40 COUPLING	1
RUB15ROLL	1 1/2" BUTYL MASTIC SEALANT ROLL	4
ANCHU4	4-TON UTILITY ANCHOR #6UA444	8
CIA1043RC	D&L A-1043 RING	2
CIA1161CSSAS	D&L A-1161 COVER STAMPED "SEWER"	2
RUBSF302853	SYKOFLEX WATER STOP x 3' ROLL	13
LIFTWRL14	1/4"x8 1/2" GALV. WIRE ROPE LIFT	2



PLAN VIEW

- (A) D&L 24"Ø CAST IRON RING & COVER
- (B) 24"Ø BLOCKOUT IN LID
- (C) 8"Ø B/O FOR S106-8SWP (4.2"-6.4" OD) KOR-N-SEAL BOOT FOR 4" OR 6" PVC
- (D) 6"x6" BLOCKOUT IN BAFFLE WALL
- (E) 4"Ø SCH 40 PVC COUPLING CAST INTO VAULT WALL
- (F) 4" THICK BAFFLE WALL
- (G) SYNKO-FLEX WATERSTOP AROUND PERIMETER OF FLOOR



GREASE INTERCEPTOR MEETS
ASTM C 1613 06 SPECIFICATIONS

LOAD RATINGS:
AASHTO HS20-44 RATED WITH
UP TO 1'-6" SOIL COVER

DESIGN PROPERTIES:
CONCRETE STRENGTH = 4,000 PSI
CONCRETE WEIGHT = 150 PCF
STEEL STRENGTH = 60,000 PSI
(GRADE 60)

DESIGN MANUALS
ACI 318-05
AISC LRFD 3RD EDITION
AASHTO 17th EDITION 2002

	4" PVC	6" PVC
ACTUAL CAPACITY	2522 GAL	2478 GAL

- SECONDARY COMPARTMENT HAS VOLUME EQUAL TO APPROXIMATELY 1/3 OF TOTAL CAPACITY.
- JOINT BETWEEN LID AND VAULT TO BE SEALED WITH 1 ROW 1-1/2" BUTYL MASTIC SEALANT PROVIDED BY C.P.C.
- BAFFLE IS FORMED SEPARATELY FROM THE VAULT.

WEIGHT/CONCRETE

	8,113 LBS	2.00 CY
LID	8,113 LBS	2.00 CY
BAFFLE	1,771 LBS	0.44 CY
WALLS	17,094 LBS	4.22 CY
FLOOR	7,333 LBS	1.81 CY
VAULT TOTAL	26,198 LBS	6.47 CY
TOTAL	34,311 LBS	8.47 CY

09/22/09

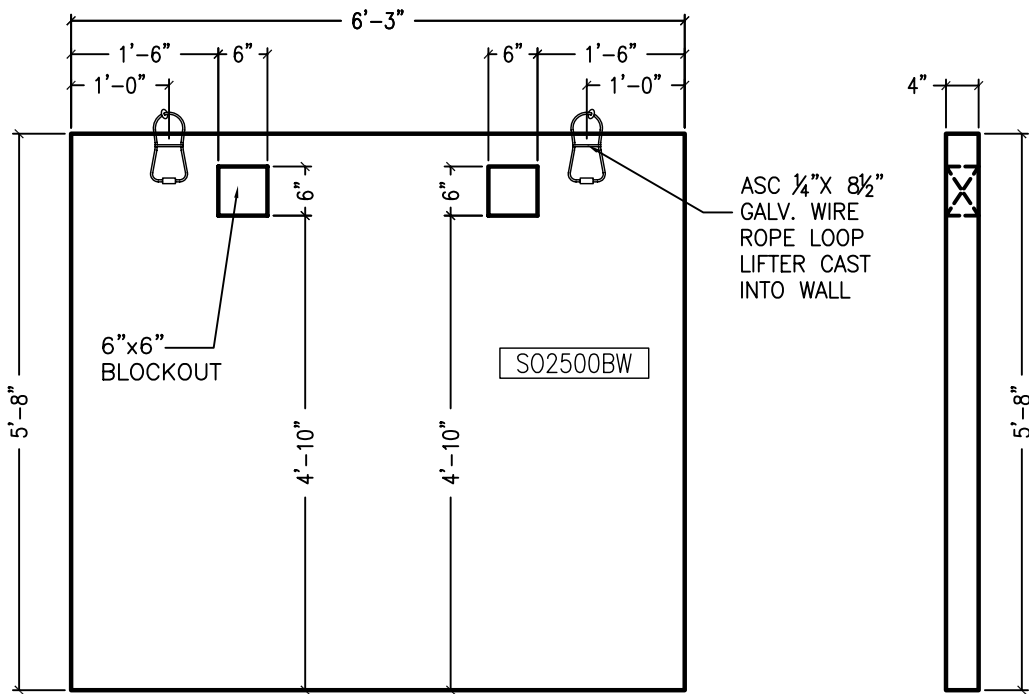
COLORADO PRECAST CONCRETE, Inc.

1820 E. HIGHWAY 402, LOVELAND, CO 80537
(970) 669-0535 FAX (970) 669-0674
www.coloprecast.com



ITEM NAME:

2500 GALLON SAND AND OIL INTERCEPTOR



SIDE VIEW

BAFFLE:
 #4 REBAR @ 12" O.C.E.W., CENTERED IN
 BAFFLE

BAFFLE IS CAST SEPARATELY FROM
 THE VAULT

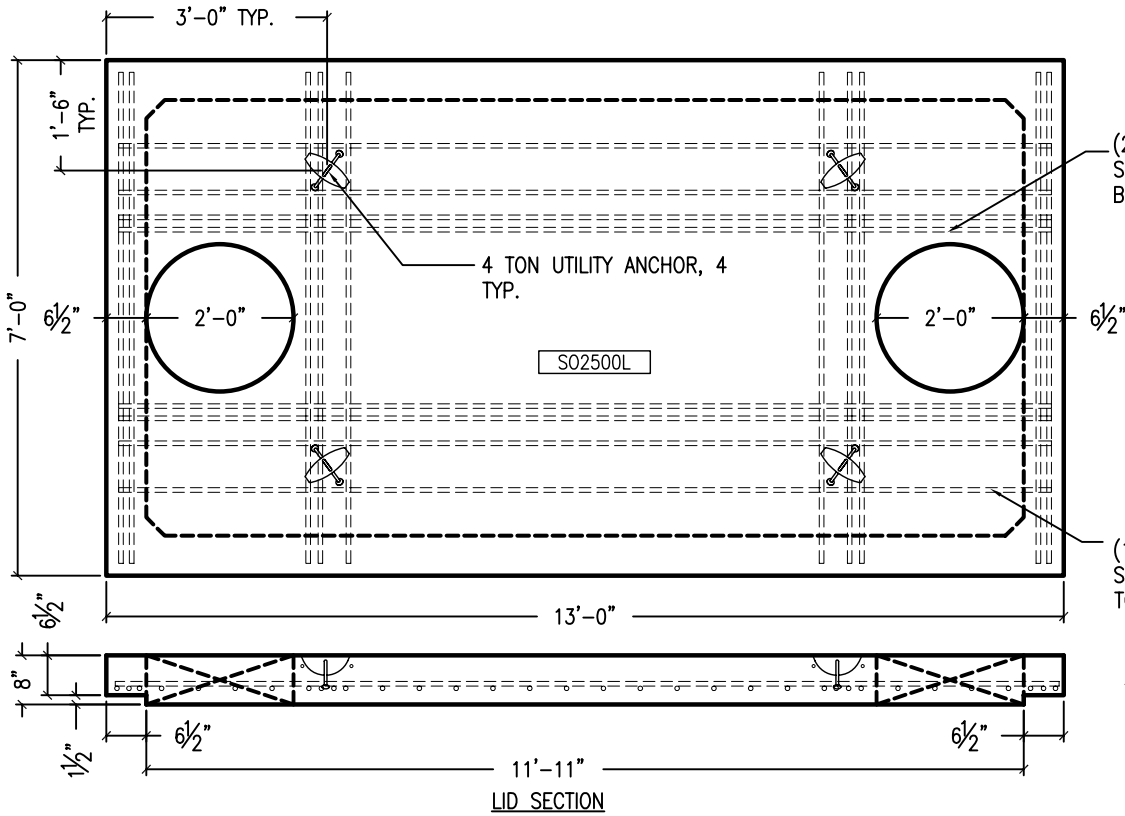
	WEIGHT/CONCRETE
BAFFLE	1,771 LBS 0.44 CY

09/22/09

COLORADO PRECAST CONCRETE, Inc.
 1820 E. HIGHWAY 402, LOVELAND, CO 80537
 (970) 669-0535 FAX (970) 669-0674
 www.coloprecast.com



ITEM NAME:
**2500 GALLON SAND AND OIL INTERCEPTOR
 BAFFLE**



LID DETAILS

(2) ADD'L #6 REBAR EACH SIDE OF 24"Ø BLOCKOUTS IN BOTTOM MAT, MIN. 2" CLR.

(1) ADD'L #6 REBAR EACH SIDE OF LIFTS 1 1/2" OFF TOP OF LID

REINFORCEMENT:

LID:

SHORT BARS: #6 REBAR @ 6" O.C., 2-1/4" OFF BOTTOM.
LONG BARS: #4 REBAR @ 12" O.C. ON TOP OF SHORT BARS
(2) ADD'L #6 REBAR EACH SIDE OF ACCESS HOLES

WALLS:

TILT-UP REBAR

VERTICAL:

#4 REBAR AT 12" O.C., 2" OFF INSIDE OF WALL

HORIZONTAL:

#4 U-BAR @ 12" O.C., OUTSIDE OF VERTICAL BAR

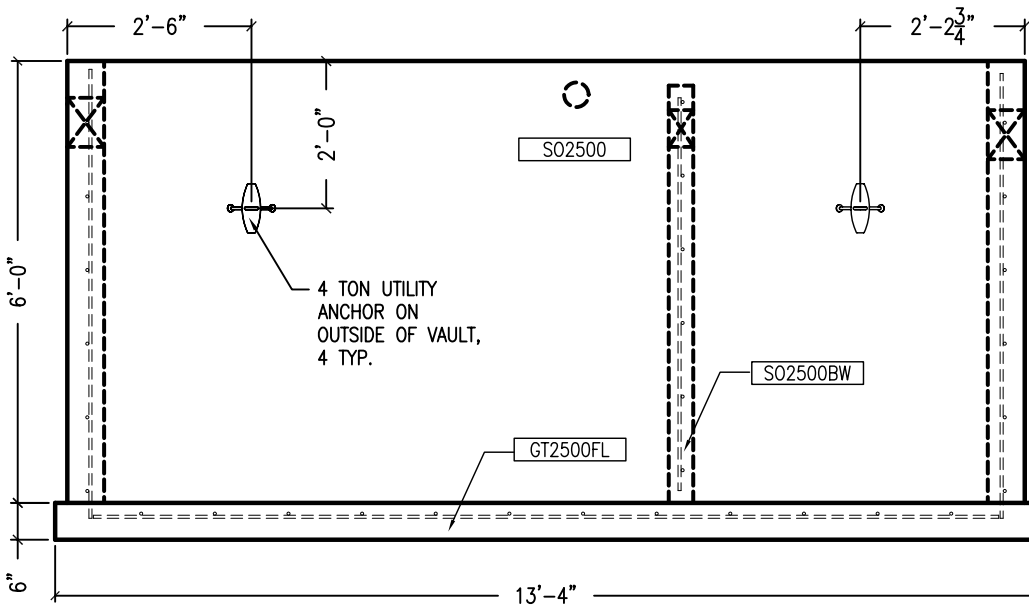
FLOOR:

#4 REBAR AT 12" O.C.E.W, SHORT BARS @ 1-1/2" OFF TOP OF FLOOR, LONG BARS BELOW SHORT BARS

20"X20" L-BAR AT ALL CORNERS (WALL TO FLOOR AND WALL TO WALL)

BAFFLE:

VERTICAL: #4 REBAR @ 12" O.C.E.W., CENTERED IN BAFFLE



VAULT LIFT DETAIL

09/22/09

COLORADO PRECAST CONCRETE, Inc.

1820 E. HIGHWAY 402, LOVELAND, CO 80537

(970) 669-0535 FAX (970) 669-0674

www.coloprecast.com



ITEM NAME:

**2500 GALLON SAND AND OIL INTERCEPTOR
DETAILS**