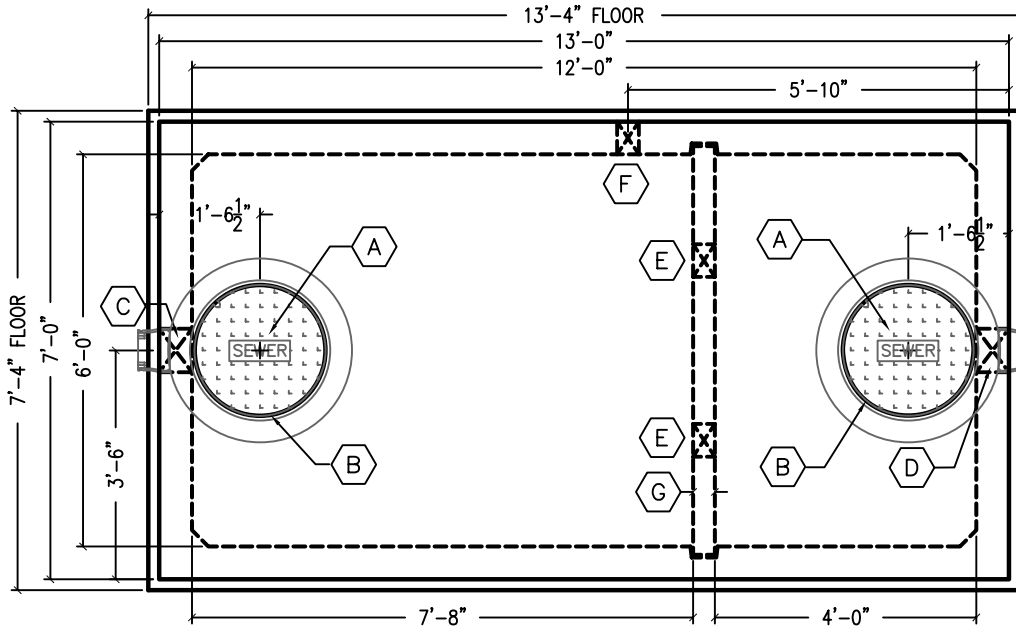
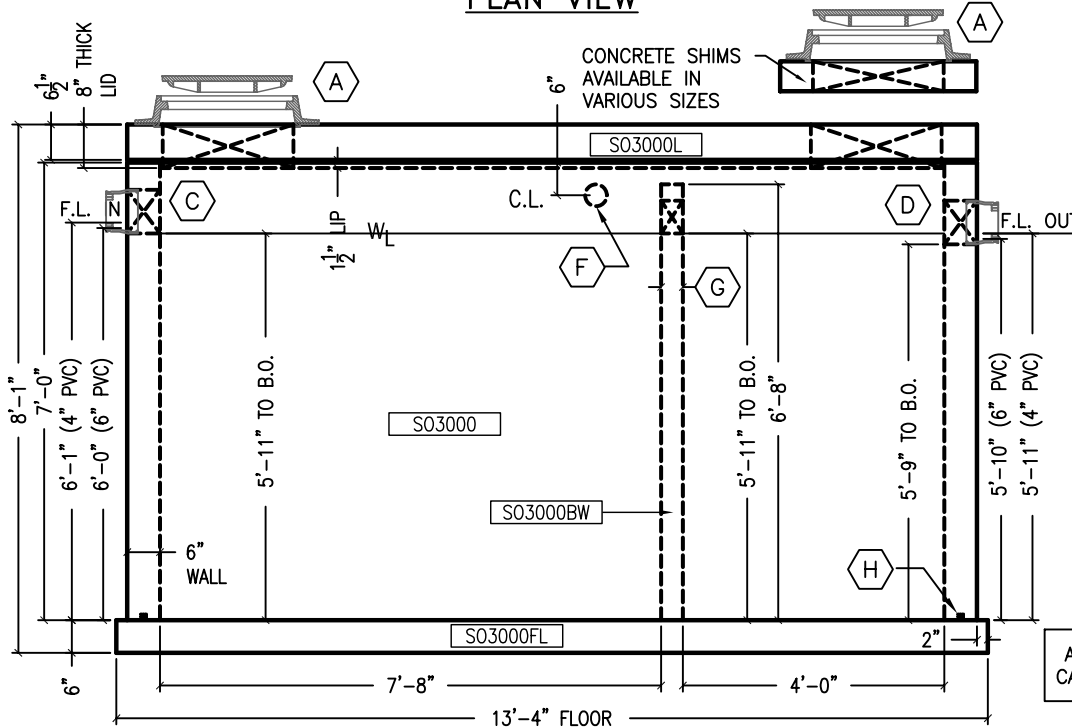


PART NO.	DESCRIPTION	QTY.
KOR02	KOR-N-SEAL S106-8SWP (4.2-5.5-6.4)	2
4PVC40C	4" SCH 40 COUPLING	1
RUB15ROLL	1 1/2" BUTYL MASTIC SEALANT ROLL	4
LIFTWRLL14	1/4"x8 1/2" GALV. WIRE ROPE LIFT	2
CIA1043RC	D&L A-1043 RING	2
CIA1161CSSAS	D&L A-1161 COVER STAMPED "SEWER"	2
RUBSF302853	SYKOFLEX WATER STOP x 3' ROLL	13
LIFTWRLL14	1/4"x8 1/2" GALV. WIRE ROPE LIFT	2



PLAN VIEW

- (A) D&L 24"Ø CAST IRON RING & COVER
- (B) 24"Ø BLOCKOUT IN LID
- (C) 8"Ø B/O FOR S106-8SWP (4.2"-6.4" OD) KOR-N-SEAL BOOT FOR 4" OR 6" PVC
- (D) 4" THICK BAFFLE WALL
- (E) 6"x6" BLOCKOUT IN BAFFLE
- (F) 4"Ø SCH 40 PVC COUPLING CAST INTO VAULT WALL
- (G) SYNKOFLEX WATERSTOP AROUND PERIMETER OF FLOOR



SECTION VIEW

GREASE INTERCEPTOR MEETS ASTM C 1613 06 SPECIFICATIONS

LOAD RATINGS:
AASHTO HS20-44 RATED WITH UP TO 1'-6" SOIL COVER

DESIGN PROPERTIES:
CONCRETE STRENGTH: 4,000 PSI
CONCRETE WEIGHT: 150 PCF
STEEL STRENGTH: 60,000 PSI (GRADE 60)

DESIGN MANUALS
ACI 318-05
AISC LRFD 3RD EDITION
AASHTO 17th EDITION 2002

	4" PVC	6" PVC
ACTUAL CAPACITY	3,087 GAL	3,043 GAL

WEIGHT/CONCRETE		
LID	8,086 LBS	2.00 CY
BAFFLE	2,083 LBS	0.51 CY
WALLS	19,943 LBS	4.92 CY
FLOOR	7,333 LBS	1.81 CY
VAULT TOTAL	29,359 LBS	7.24 CY
TOTAL	37,445 LBS	9.24 CY

- SECONDARY COMPARTMENT HAS VOLUME EQUAL TO APPROXIMATELY 1/3 OF TOTAL CAPACITY.
- JOINT BETWEEN LID AND VAULT TO BE SEALED WITH 1 ROW 1-1/2" BUTYL MASTIC SEALANT PROVIDED BY C.P.C.
- BAFFLE IS CAST SEPARATELY FROM VAULT.

09/21/09

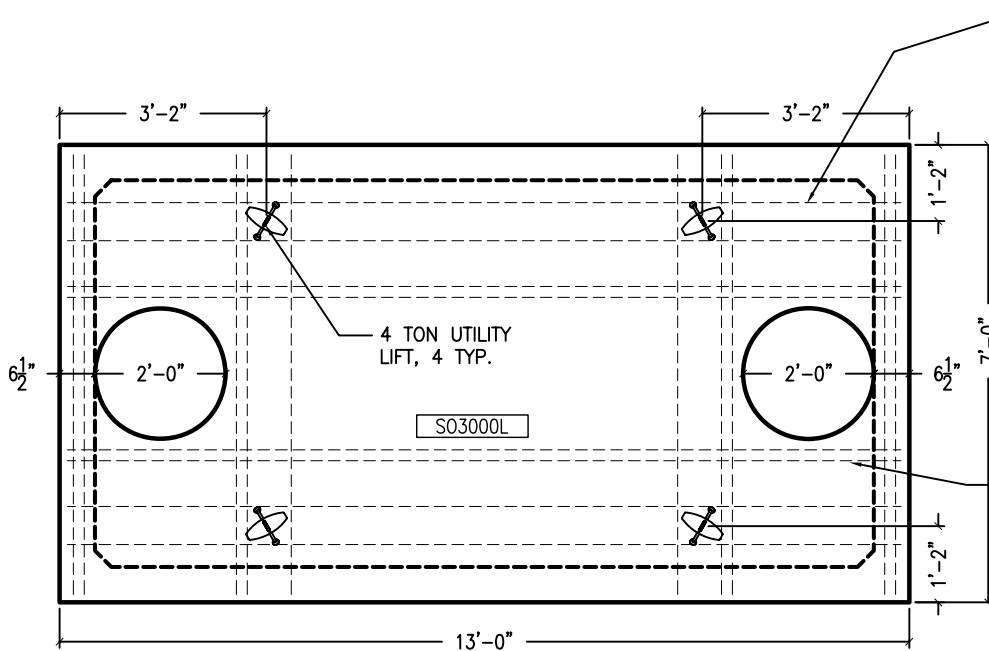
COLORADO PRECAST CONCRETE, Inc.

1820 E. HIGHWAY 402, LOVELAND, CO 80537
(970) 669-0535 FAX (970) 669-0674
www.coloprecast.com



ITEM NAME:

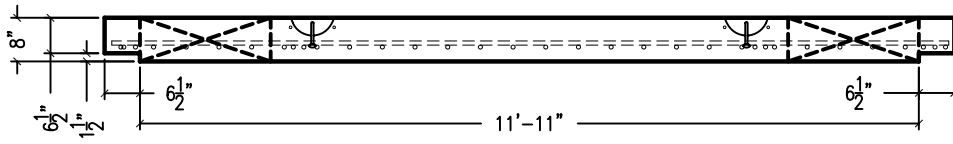
3000 GALLON SAND & OIL INTERCEPTOR



(1) ADD'L #4 BAR
EACH SIDE OF LIFTS
1-1/2" OFF TOP OF
LID

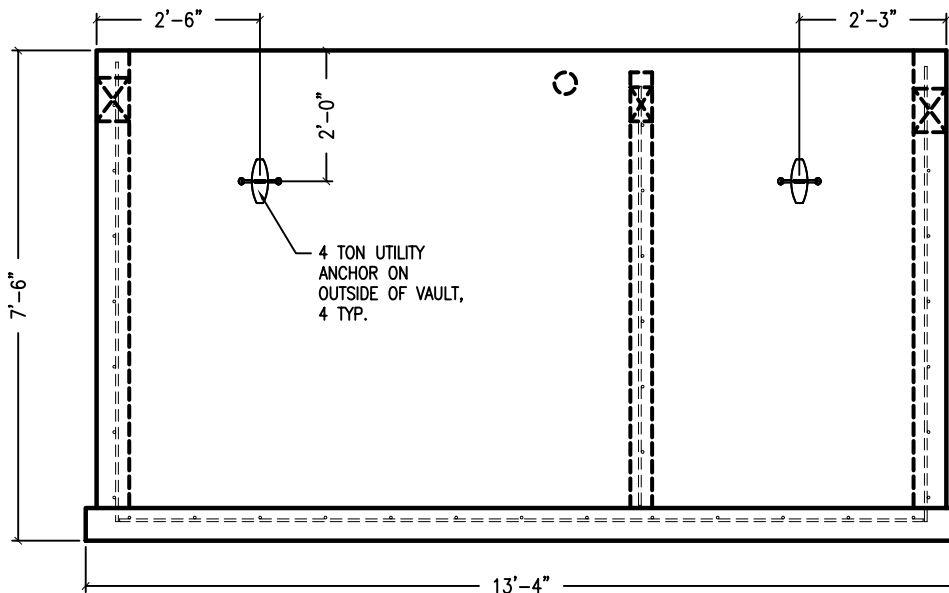
REINFORCEMENT:
LID:
SHORT BARS: #6 REBAR @
6" O.C., 2-1/4" OFF BOTTOM.
LONG BARS: #4 REBAR @
12" O.C. ON TOP OF SHORT
BARS

(2) ADD'L #6 BARS EA
SIDE OF 24"Ø OPENING 2"
OFF BOTTOM OF LID



LID SECTION
LID DETAILS

REINFORCEMENT:
LID:
SHORT BARS: #6 REBAR @
6" O.C., 2-1/4" OFF BOTTOM.
LONG BARS: #4 REBAR @ 12"
O.C. ON TOP OF SHORT BARS
(2) ADD'L #6 REBAR EACH
SIDE OF ACCESS HOLES



VAULT DETAILS

WALLS:
TILT-UP REBAR
VERTICAL:
#4 REBAR AT 12" O.C.,
2" OFF INSIDE OF WALL
HORIZONTAL:
#4 REBAR @ 12" O.C.,
OUTSIDE OF VERTICAL BAR

FLOOR:
#4 REBAR AT 12" O.C.E.W.,
SHORT BARS @ 1-1/2" OFF
TOP OF FLOOR, LONG BARS
BELOW SHORT BARS

20"X20" L-BAR AT ALL CORNERS
(WALL TO FLOOR AND WALL TO
WALL)

BAFFLE:
#4 REBAR @ 12" O.C.E.W., CENTERED

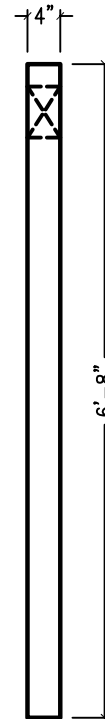
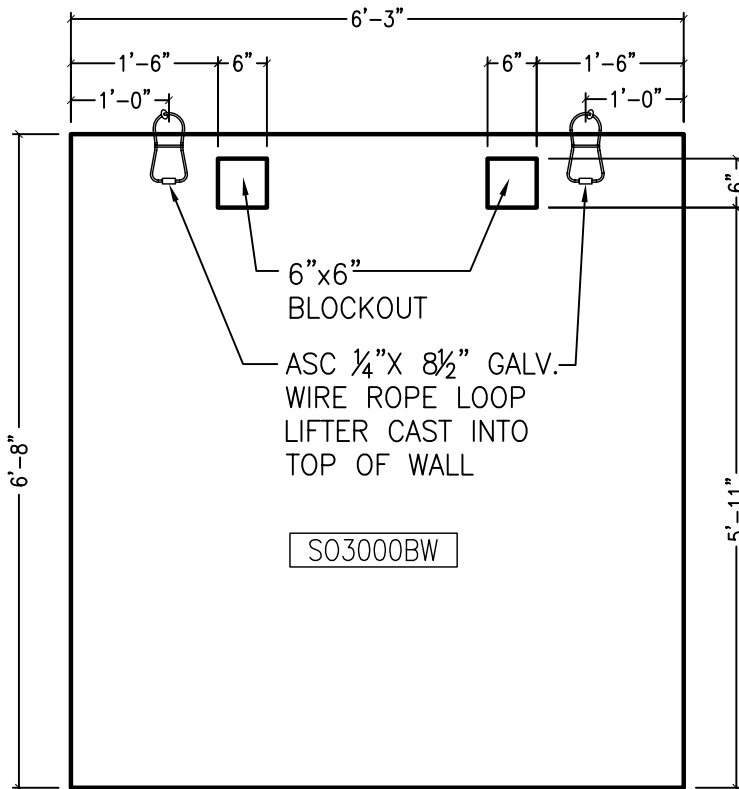
09/21/09

COLORADO PRECAST CONCRETE, Inc.
1820 E. HIGHWAY 402, LOVELAND, CO 80537
(970) 669-0535 FAX (970) 669-0674
www.coloprecast.com



ITEM NAME:

3000 GALLON SAND & OIL INTERCEPTOR
DETAILS



SIDE VIEW

BAFFLE:
REBAR @ 12" O.C.E.W.,
CENTERED

BAFFLE IS CAST SEPARATELY
FROM VAULT

WEIGHT/CONCRETE		
BAFFLE	2,083 LBS	0.51 CY

09/21/09

COLORADO PRECAST CONCRETE, Inc.
1820 E. HIGHWAY 402, LOVELAND, CO 80537
(970) 669-0535 FAX (970) 669-0674
www.coloprecast.com



ITEM NAME:

**3000 GALLON SAND & OIL INTERCEPTOR
BAFFLE**