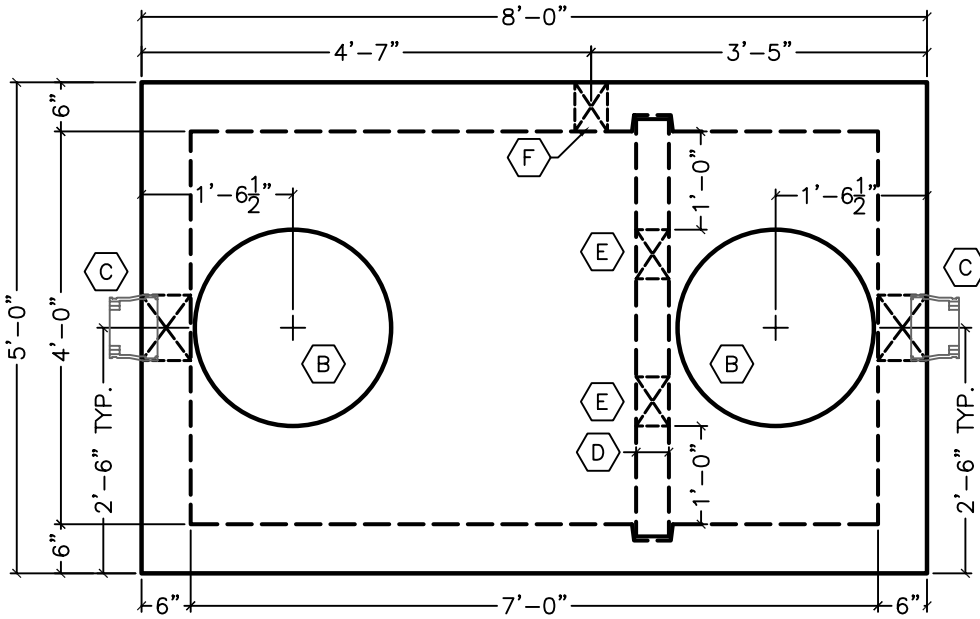
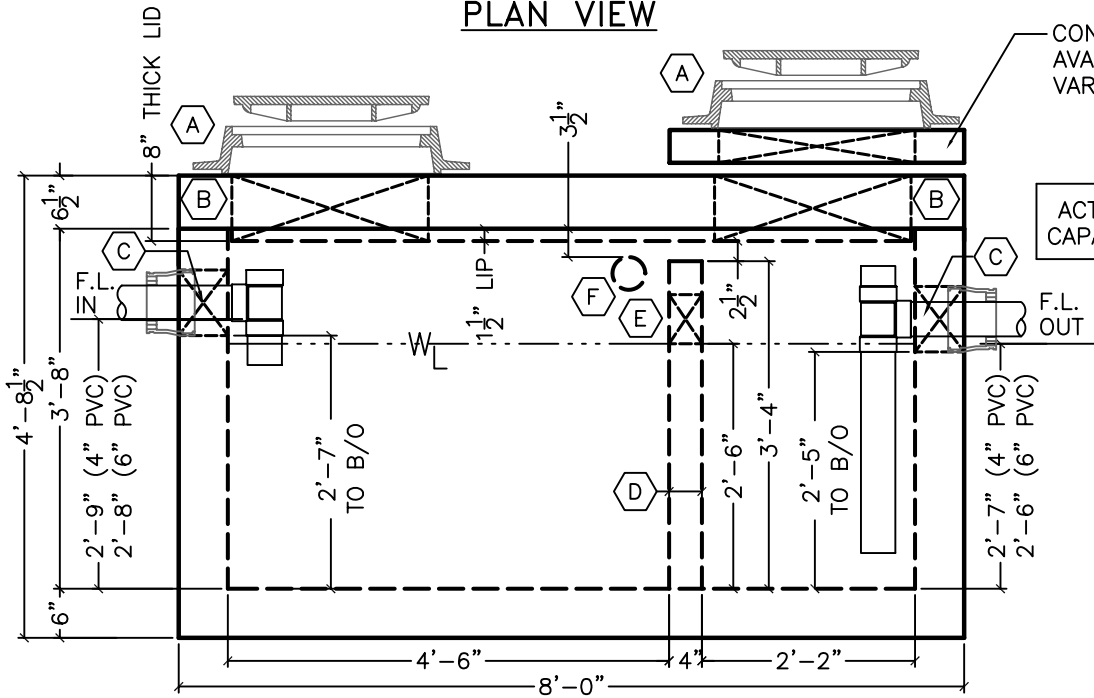


PART NO.	DESCRIPTION	QTY.
KOR02	KOR-N-SEAL S106-8SWP (4.2-5.5-6.4)	2
4PVC40C	4" SCH 40 COUPLING	1
RUB15ROLL	1 1/2" BUTYL MASTIC SEALANT ROLL	3
ANCHU4	4-TON UTILITY ANCHOR #6UA444	8
LIFTWRLL14	1/4"x8 1/2" GALV. WIRE ROPE LIFT	2
CIA1043RC	D&L A-1043 RING	2
CIA1161CSSAS	D&L A-1161 COVER STAMPED "SEWER"	2



**PLAN VIEW**

- A** D&L 24"Ø CAST IRON RING & COVER
- B** 24"Ø BLOCKOUT IN LID
- C** 8"Ø BLOCKOUT FOR S106-8SWP (4.2"-6.4" OD) KOR-N-SEAL BOOT FOR 4" OR 6" PVC
- D** 4" THICK BAFFLE WALL
- E** 6"x6" BLOCKOUT IN BAFFLE
- F** 4"Ø SCH 40 PVC COUPLING CAST VAULT WALL



**SIDE VIEW**

	4" PVC	6" PVC
ACTUAL CAPACITY	515 GAL	499 GAL

LOAD RATINGS:  
AASHTO HS20-44 RATED TO 6' MAX. BURY

DESIGN PROPERTIES:  
CONCRETE STRENGTH=4,000 PSI  
CONCRETE WEIGHT=150 PCF  
STEEL STRENGTH=60,000 PSI (GRADE 60)

DESIGN MANUALS  
ACI 318-05  
AISC LRFD 3RD EDITION  
AASHTO 17th EDITON 2002

- SECONDARY COMPARTMENT HAS A VOLUME EQUAL TO APPROXIMATELY 1/3 OF TOTAL CAPACITY.
- (2) S106-8SWP KOR-N-SEAL BOOTS FURNISHED BY C.P.C.
- JOINT BETWEEN LID AND VAULT TO BE SEALED WITH 1 ROW OF 1-1/2" BUTYL MASTIC SEALANT PROVIDED BY C.P.C.
- BAFFLE WALL TO BE A SEPARATE POUR AND INSTALLED BY C.P.C. PRIOR TO DELIVERY.
- ALL PIPES AND FITTINGS TO BE PROVIDED BY OTHERS

	WEIGHT/CONCRETE	
LID	3,119 LBS	0.77 CY
BAFFLE	689 LBS	0.17 CY
VAULT	9,518 LBS	2.35 CY
TOTAL	13,325 LBS	3.29 CY

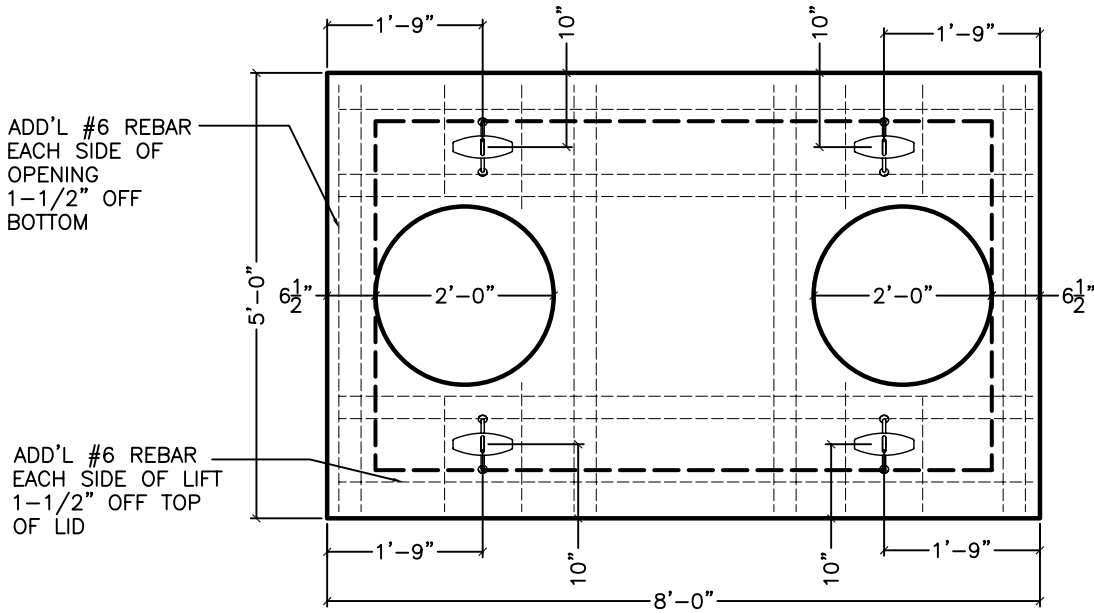
04/14/09

**COLORADO PRECAST CONCRETE, Inc.**  
1820 E. HIGHWAY 402, LOVELAND, CO 80537  
(970) 669-0535 FAX (970) 669-0674  
www.coloprecast.com

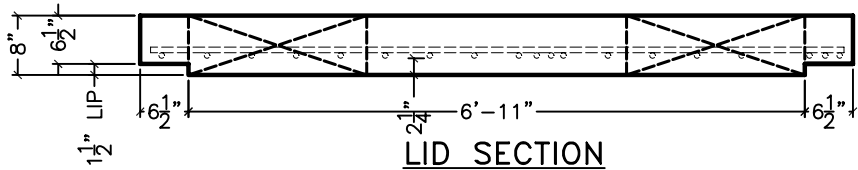


ITEM NAME:

**500 GALLON SAND & OIL INTERCEPTOR**

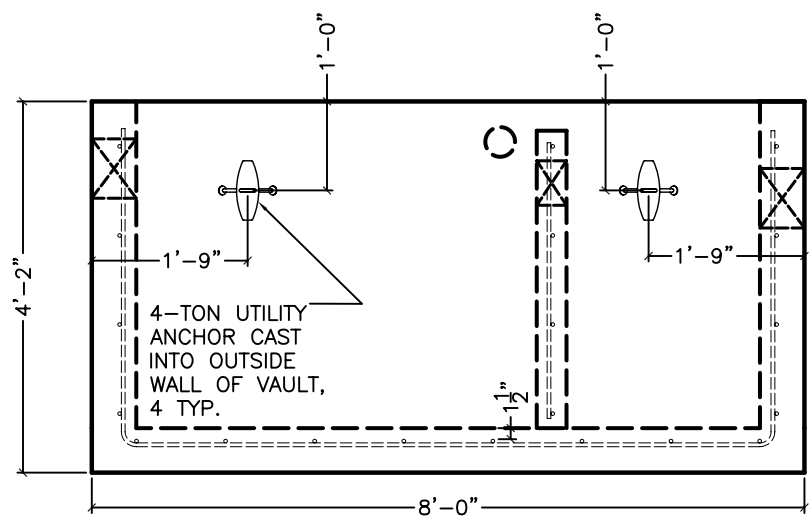


**LID PLAN VIEW**



**LID SECTION**

**REINFORCEMENT:**  
**LID:**  
 SHORT BARS: #6 REBAR @ 6" O.C., 2-1/4" OFF BOTTOM.  
 LONG BARS: #4 REBAR @ 12" O.C. ON TOP OF SHORT BARS  
 (2) ADD'L #6 REBAR EACH SIDE OF ACCESS HOLES



**VAULT LIFT LOCATION**

**WALLS:**  
**VERTICAL:**  
 #4 U-BAR AT 12" O.C., 1-1/2" OFF INSIDE OF WALL  
**HORIZONTAL:**  
 #4 U-BAR @ 12" O.C., OUTSIDE OF VERTICAL BAR  
**FLOOR:**  
 #4 U-BAR AT 12" O.C.E.W., SHORT BARS @ 1-1/2" OFF TOP OF FLOOR, LONG BARS BELOW SHORT BARS  
 U-BARS EXTEND INTO WALLS

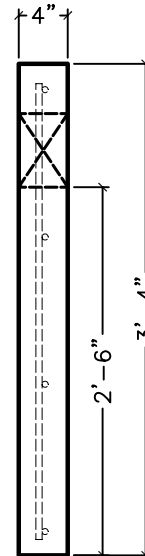
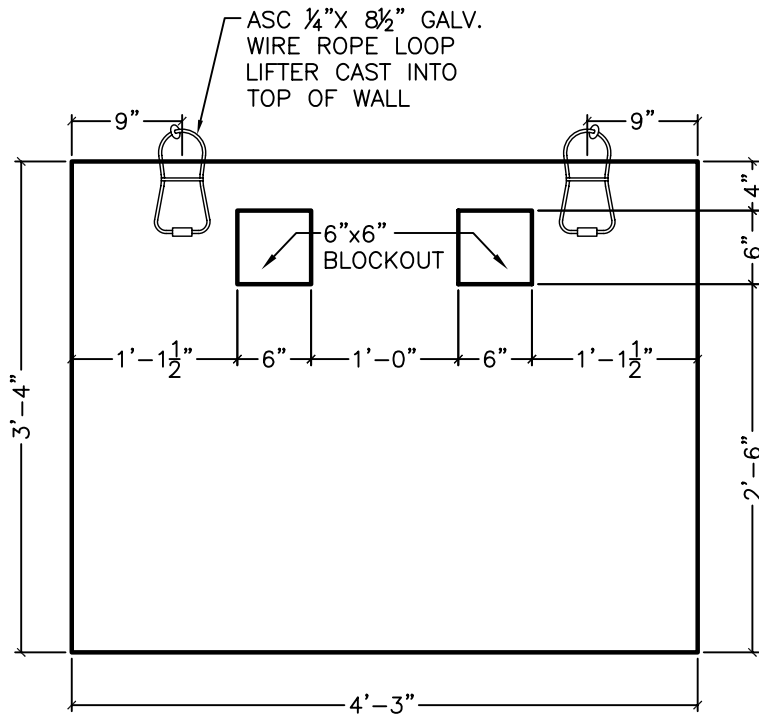
**BAFFLE:**  
 #4 REBAR @ 12" O.C.E.W., CENTERED

04/14/09

**COLORADO PRECAST CONCRETE, Inc.**  
 1820 E. HIGHWAY 402, LOVELAND, CO 80537  
 (970) 669-0535 FAX (970) 669-0674  
 www.coloprecast.com



ITEM NAME:  
**500 GALLON SAND & OIL INTERCEPTOR**  
**DETAILS**



SECTION VIEW

BAFFLE IS POURED SEPARATELY  
AND PLACED IN VAULT PRIOR  
TO DELIVERY

REINFORCEMENT:  
#4 REBAR @ 12" O.C.E.W.,  
CENTERED

WEIGHT/CONCRETE:  
699 LBS / 0.17 CY

04/14/09

COLORADO PRECAST CONCRETE, Inc.  
1820 E. HIGHWAY 402, LOVELAND, CO 80537  
(970) 669-0535 FAX (970) 669-0674  
www.coloprecast.com



ITEM NAME:

**500 GALLON SAND & OIL INTERCEPTOR  
BAFFLE**