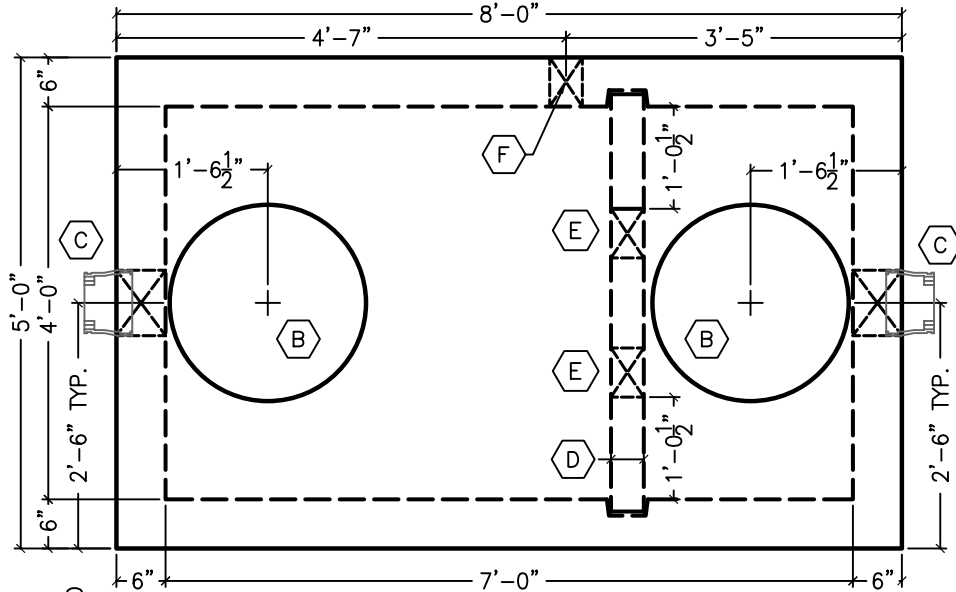
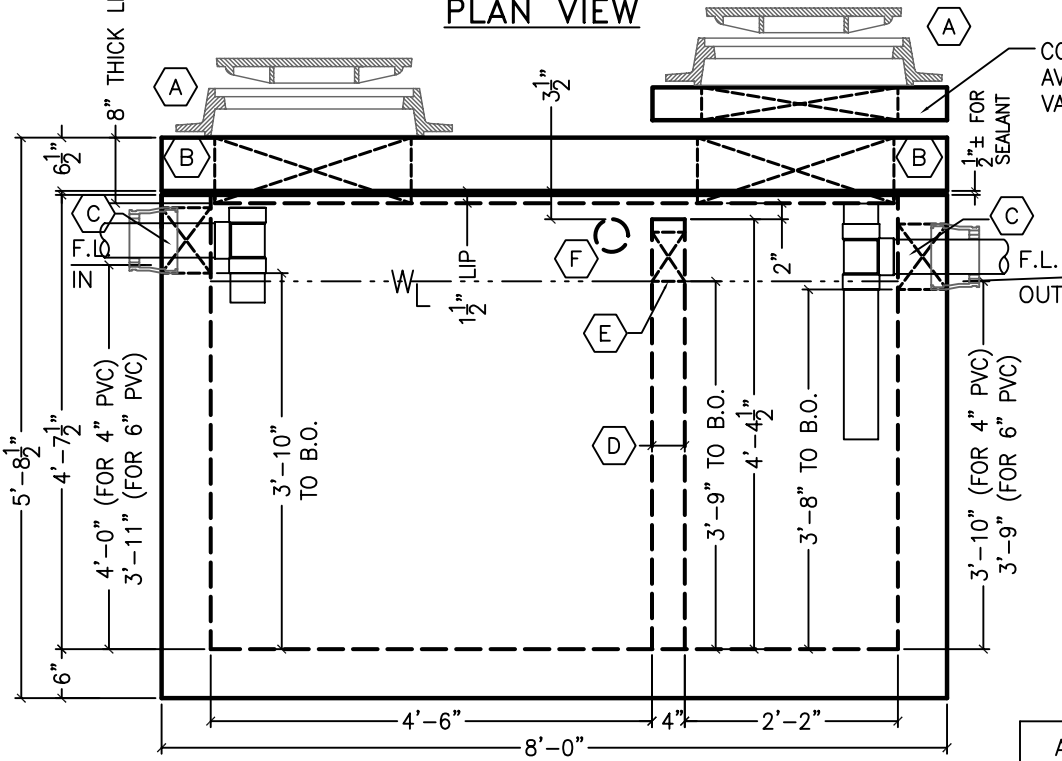


PART NO.	DESCRIPTION	QTY.
KOR02	KOR-N-SEAL S106-8SWP (4.2-5.5-6.4)	2
4PVC40C	4" SCH 40 COUPLING	1
RUB15ROLL	1 1/2" BUTYL MASTIC SEALANT ROLL	3
ANCHU4	4-TON UTILITY ANCHOR #6UA444	8
LIFTWRL14	1/4"x8 1/2" GALV. WIRE ROPE LIFT	2
CIA1043RC	D&L A-1043 RING	2
CIA1161CSSAS	D&L A-1161 COVER STAMPED "SEWER"	2



PLAN VIEW

- (A) D&L 24"Ø CAST IRON RING & COVER
- (B) 24"Ø BLOCKOUT IN LID
- (C) 8"Ø BLOCKOUT FOR S106-8SWP (4.2"-6.4" OD) KOR-N-SEAL BOOT FOR 4" OR 6" PVC
- (D) 4" THICK BAFFLE
- (E) 6"x6" BLOCKOUT
- (F) 4"Ø SCH 40 PVC COUPLING CAST INTO VAULT WALL



SIDE VIEW

CONCRETE SHIMS AVAILABLE IN VARIOUS SIZES

LOAD RATINGS:
AASHTO HS20-44 RATED TO 6' MAX. BURY

DESIGN PROPERTIES:
CONCRETE STRENGTH=4,000 PSI
CONCRETE WEIGHT=150 PCF
STEEL STRENGTH=60,000 PSI (GRADE 60)

DESIGN MANUALS
ACI 318-05
AISC LRFD 3RD EDITION
AASHTO 17th EDITION 2002

	4" PVC	6" PVC
ACTUAL CAPACITY	765 GAL	748 GAL

- SECONDARY COMPARTMENT HAS A VOLUME EQUAL TO APPROXIMATELY 1/3 OF TOTAL CAPACITY.
- (2) S106-8SWP KOR-N-SEAL BOOTS FURNISHED BY C.P.C.
- JOINT BETWEEN LID AND VAULT TO BE SEALED WITH 1 ROW OF 1-1/2" BUTYL MASTIC SEALANT PROVIDED BY C.P.C.
- BAFFLE WALL TO BE A SEPARATE POUR AND INSTALLED BY C.P.C. PRIOR TO DELIVERY.
- ALL PIPES AND FITTINGS TO BE PROVIDED BY OTHERS

WEIGHT/CONCRETE		
LID	3,119 LBS	0.77 CY
BAFFLE	891 LBS	0.22 CY
VAULT	11,300 LBS	2.79 CY
TOTAL	15,309 LBS	3.78 CY

04/14/09

COLORADO PRECAST CONCRETE, Inc.
1820 E. HIGHWAY 402, LOVELAND, CO 80537
(970) 669-0535 FAX (970) 669-0674
www.coloprecast.com

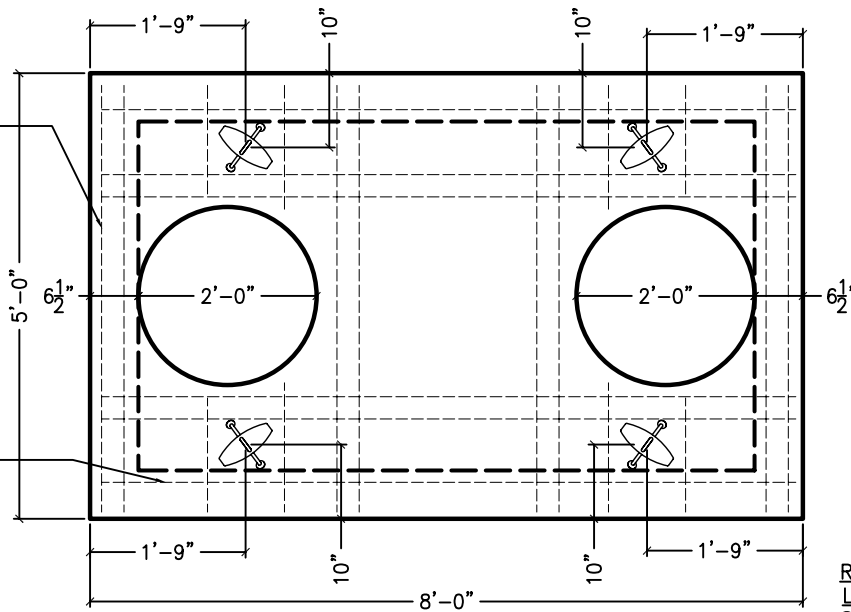


ITEM NAME:

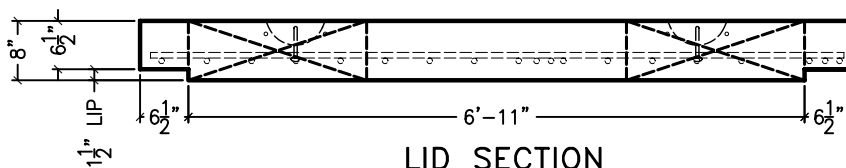
750 GALLON SAND & OIL INTERCEPTOR

ADD'L #6 REBAR
EACH SIDE OF
OPENING
1-1/2" OFF BOTTOM

ADD'L #6 REBAR
EACH SIDE OF LIFT
1-1/2" OFF TOP OF
LID



LID PLAN VIEW



LID SECTION

REINFORCEMENT:

LID:
SHORT BARS: #6 REBAR @ 6" O.C.,
2-1/4" OFF BOTTOM. LONG BARS:
#4 REBAR @ 12" O.C. ON TOP OF
SHORT BARS
(2) ADD'L #6 REBAR EACH
SIDE OF ACCESS HOLES

WALLS:

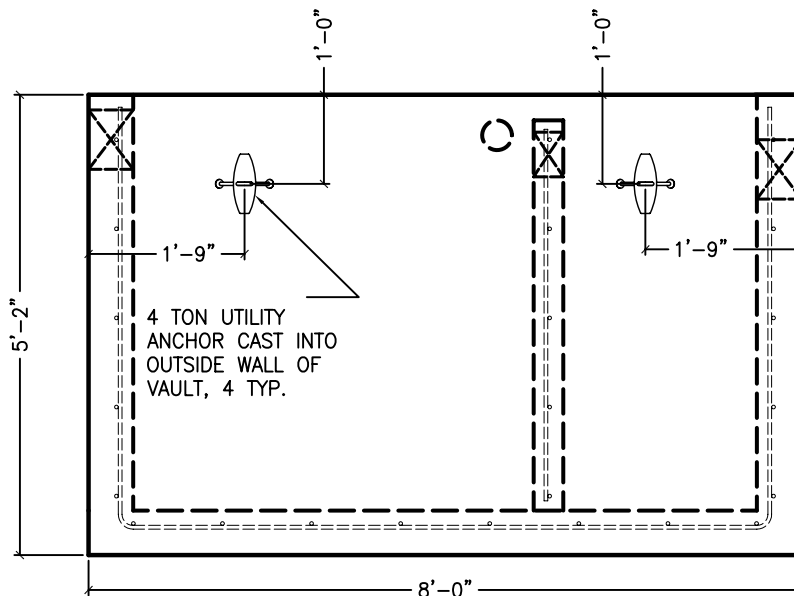
VERTICAL:
#4 U-BAR AT 12" O.C., 1-1/2"
OFF INSIDE OF WALL
HORIZONTAL:
#4 U-BAR @ 12" O.C., OUTSIDE
OF VERTICAL BAR

BAFFLE:

#4 REBAR @ 12" O.C.E.W.,
CENTERED

FLOOR:

#4 U-BAR AT 12" O.C.E.W,
SHORT BARS @ 1-1/2" OFF
TOP OF FLOOR, LONG BARS
BELOW SHORT BARS
U-BARS EXTEND INTO WALLS



VAULT LIFT LOCATION

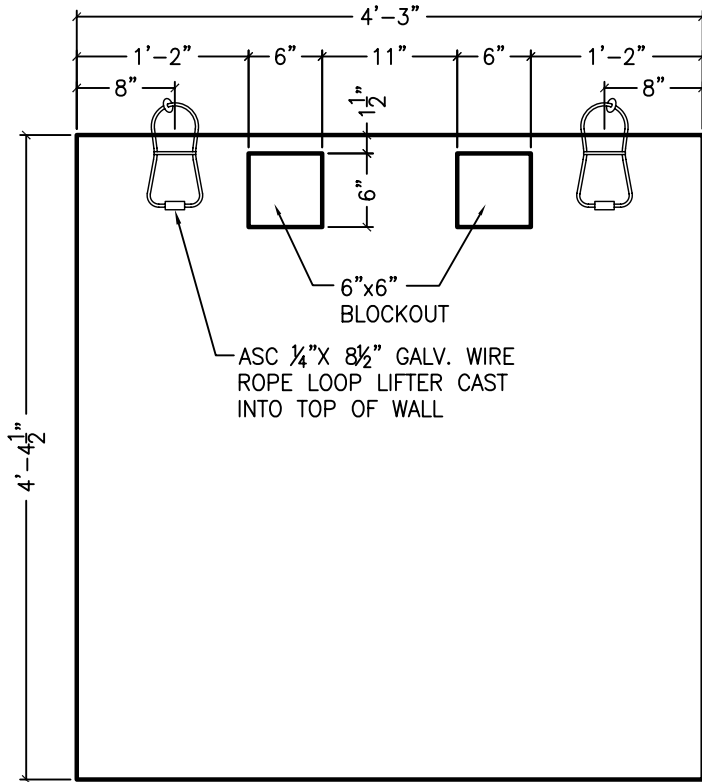
04/14/09

COLORADO PRECAST CONCRETE, Inc.
1820 E. HIGHWAY 402, LOVELAND, CO 80537
(970) 669-0535 FAX (970) 669-0674
www.coloprecast.com

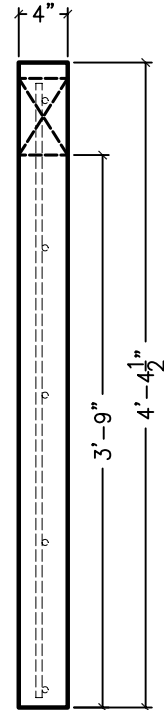


ITEM NAME:

**750 GALLON SAND & OIL INTERCEPTOR
DETAILS**



BAFFLE



SECTION VIEW

BAFFLE IS Poured SEPARATELY
AND PLACED IN VAULT PRIOR TO
DELIVERY

REINFORCEMENT:
#4 REBAR @ 12" O.C.E.W.,
CENTERED

WEIGHT/CONCRETE:
911 LBS / 0.22 CY

04/14/09

COLORADO PRECAST CONCRETE, Inc.
1820 E. HIGHWAY 402, LOVELAND, CO 80537
(970) 669-0535 FAX (970) 669-0674
www.coloprecast.com



ITEM NAME:

**750 GALLON SAND & OIL INTERCEPTOR
BAFFLE**