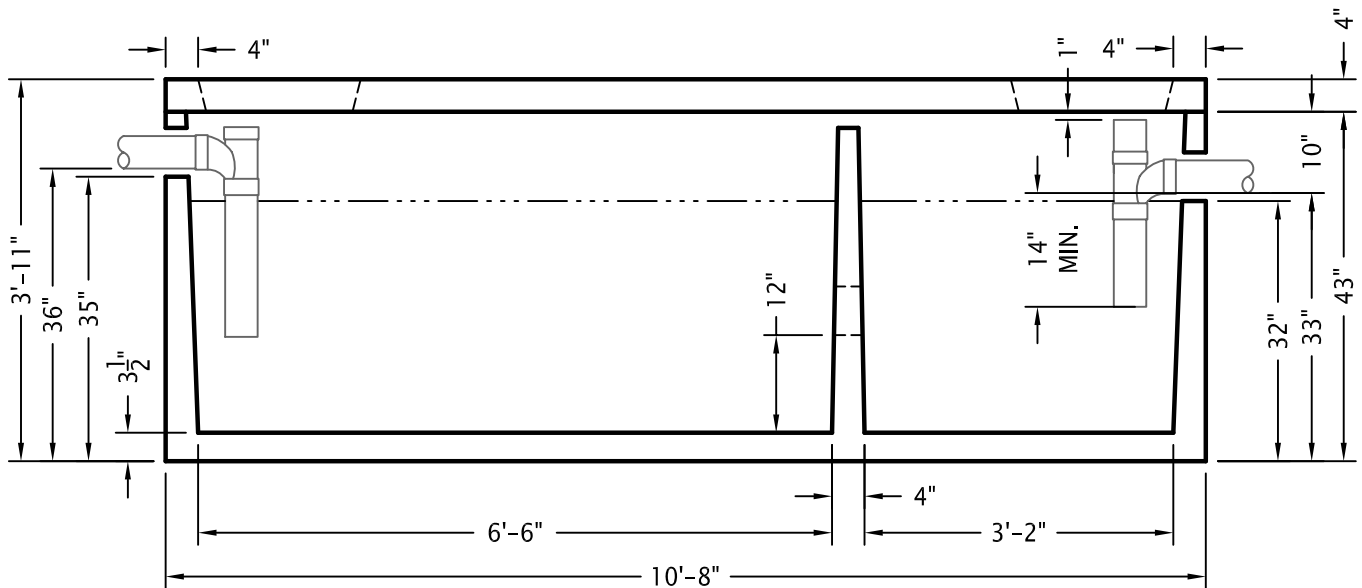


PLAN VIEW



SECTION VIEW

**NOTES:**

1. SECONDARY COMPARTMENT HAS VOLUME EQUAL TO APPROXIMATELY 1/3 OF TOTAL CAPACITY
2. ALL WALLS ARE TAPERED FROM 4" WIDE AT THE BOTTOM AND 2-1/2" WIDE AT THE TOP.
3. FLOOR THICKNESS IS 3-1/2"
4. REQUIRED HOLE SIZE: 13'-0"x8'-6"

LID: 3,071 lbs.  
 VAULT: 7,771 lbs.  
 TOTAL WEIGHT: 10,842 lbs.  
 TOTAL CONC: 72 cu.ft.

3/07/06

**COLORADO PRECAST CONCRETE, Inc.**

1820 S.E. 14TH ST., LOVELAND, CO 80537  
 (970) 669-0535 FAX (970) 669-0674



www.coloprecast.com

ITEM NAME:

**1000 GALLON LOW PROFILE SEPTIC TANK**