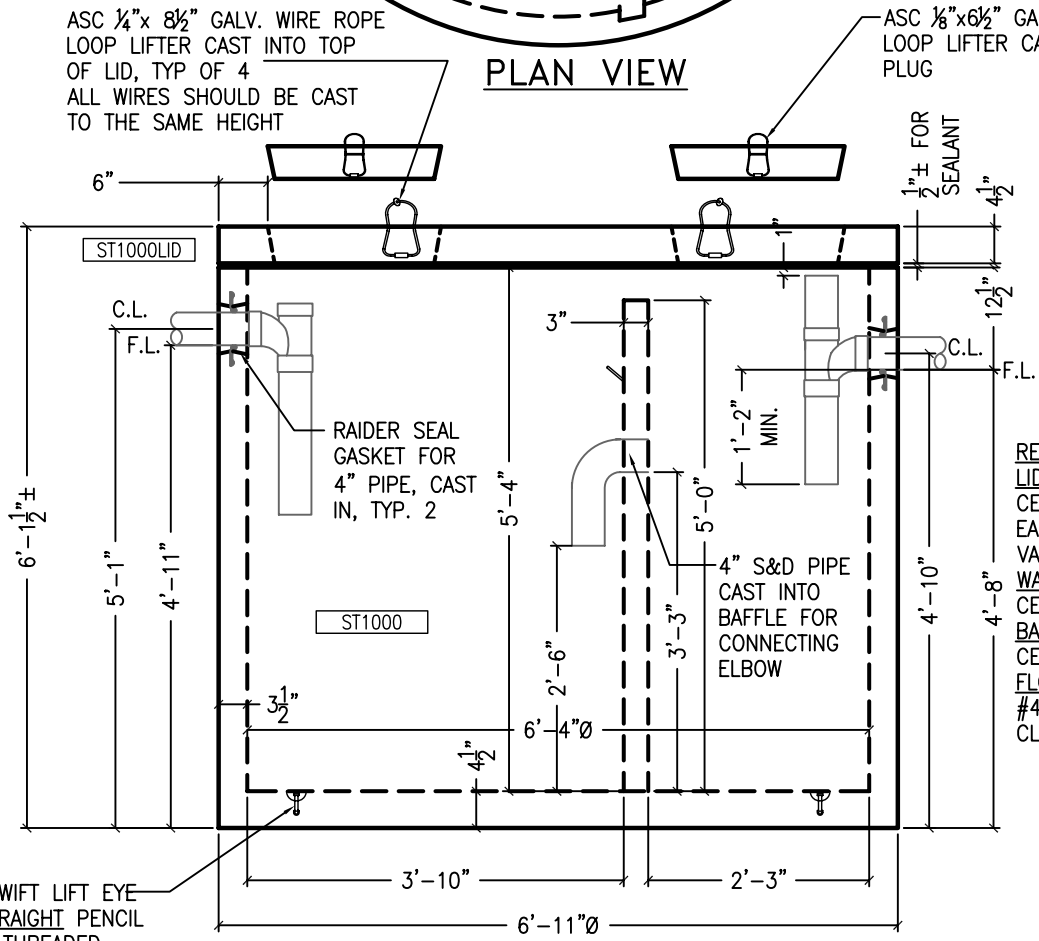


PART NO.	DESCRIPTION	QTY.
LIFTWRL18	1/8"X6 1/2" GALV WIRE ROPE LIFTER	2
LIFTWRL14	1/4"X8 1/2" GALV WIRE ROPE LIFTER	6
PVCSANT	4" SANITARY TEE	2
-	4" S&D PIPE	-
-	4" LONG 90° ELBOW	1
LIFTPEYE	P-53 1-TON SWIFT LIFT LIFTING EYE	4
RAIDER	RAIDER SEAL GASKET	2



**REINFORCEMENT:**  
**LID:** #5 REBAR @ 7" O.C.E.W., CENTERED (2) ADD'L #5 REBAR EACH SIDE OF OPENING IN MAT VAULT;  
**WALLS:** (2) MATS OF 4x8 WWF, CENTERED  
**BAFFLE:** (1) MAT 4x4 WWF, CENTERED  
**FLOOR:** #4 REBAR @ 8" O.C.E.W., 1" CLEAR OF TOP OF FLOOR

**SECTION VIEW**

	WEIGHT/CONCRETE	
CAP (EACH)	100 LBS	0.02 CY
LID	1,937 LBS	0.48 CY
VAULT	6,970 LBS	1.72 CY
BAFFLE	1,203 LBS	0.30 CY
VAULT+BAFFLE	8,173 LBS	2.02 CY
TOTAL	10,310 LBS	2.54 CY

- NOTES:**
- SECONDARY COMPARTMENT HAS VOLUME EQUAL TO APPROXIMATELY 1/3 OF TOTAL CAPACITY
  - WALL THICKNESS IS 3 1/2"
  - HOLE SIZE: 8'-6"x8'-6"

05/19/09

**COLORADO PRECAST CONCRETE, Inc.**  
 1820 E. HIGHWAY 402, LOVELAND, CO 80537  
 (970) 669-0535 FAX (970) 669-0674  
 www.coloprecast.com

ITEM NAME:  
**1000 GALLON SEPTIC TANK**