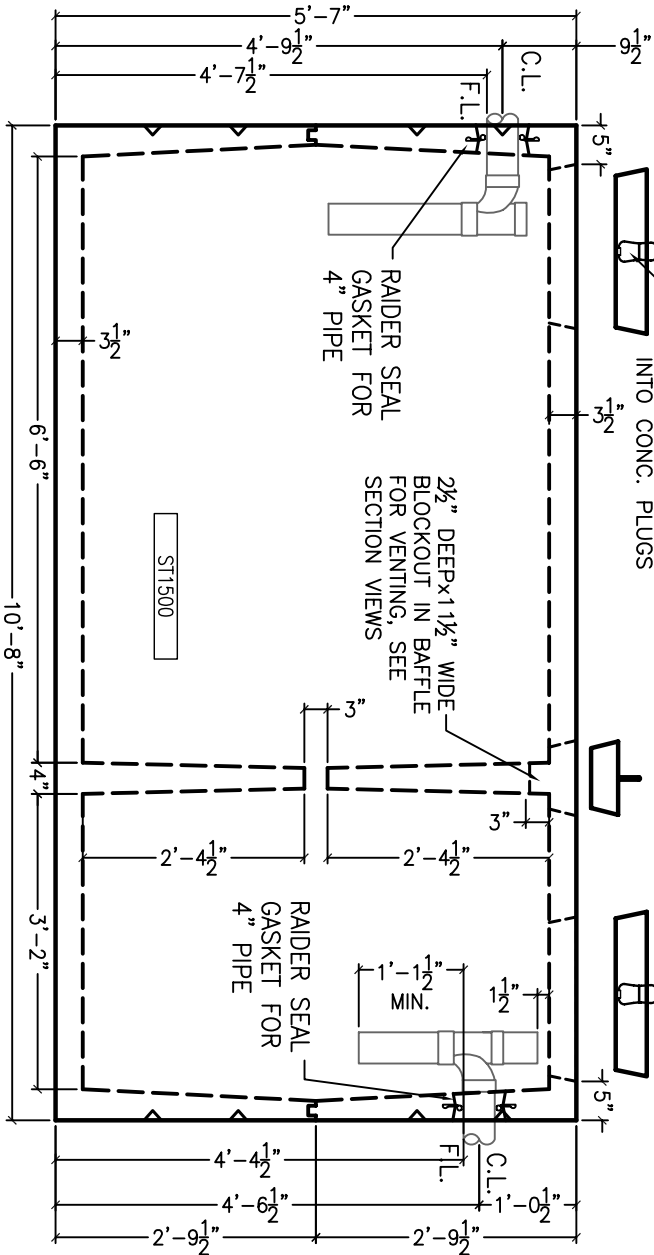
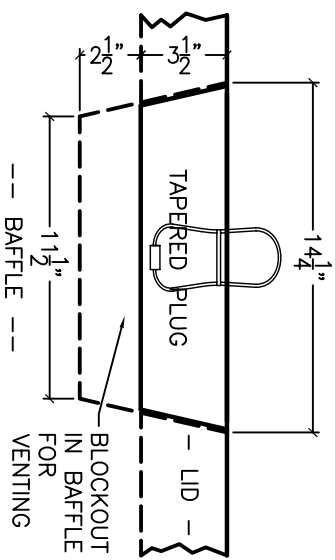


PLAN VIEW

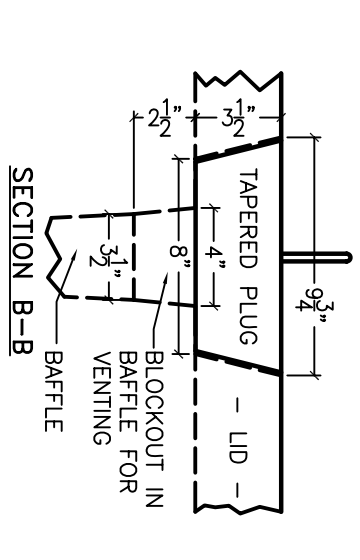


SECTION VIEW

PART NO.	DESCRIPTION	QTY.
RUB01ROLL	1" BUTYL MASTIC SEALANT x 14'-6"	2
RAIDER	RAIDER SEAL GASKET	2
LIFTWRL18	1/8" X 6 1/2" GALV WIRE ROPE LIFTER	3
4PVC SANT	4" PVC SANITARY TEE	2
PIPE4SD	4" S&D PIPE (FT)	3



SECTION A-A



SECTION B-B

NOTES:

1. SECONDARY COMPARTMENT HAS VOLUME EQUAL TO APPROXIMATELY 1/3 OF TOTAL CAPACITY
2. ALL WALLS ARE TAPERED FROM 4" WIDE AT THE BOTTOM AND 2-1/2" WIDE AT THE JOINT.
3. FLOOR THICKNESS IS 3-1/2"
4. REQUIRED HOLE SIZE: 13'0"x8'6"
5. PEDESTRIAN RATED WITH UP TO 2FT OF SOIL COVER

WEIGHT/CONCRETE:  
12,834 LBS / 3.17 CY

COLORADO PRECAST CONCRETE, Inc.  
1820 E. HIGHWAY 402, LOVELAND, CO 80537  
(970) 669-0535 FAX (970) 669-0674  
www.coloprecast.com



ITEM NAME:

1500 GALLON SEPTIC TANK