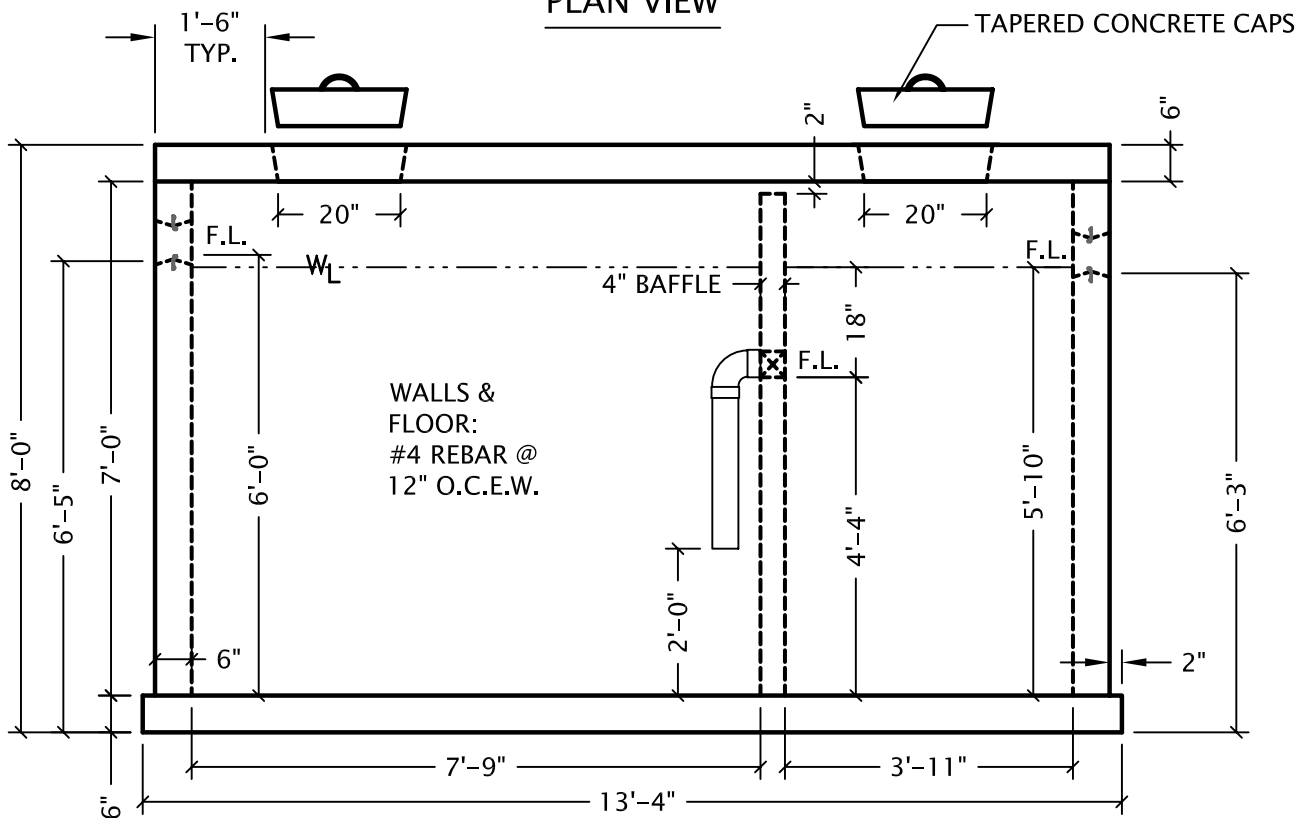




PLAN VIEW



SECTION VIEW

1. SECONDARY COMPARTMENT HAS VOLUME EQUAL TO APPROXIMATELY 1/3 OF THE TOTAL CAPACITY.
2. PIPES AND FITTINGS FOR INLET AND OUTLET ARE NOT INCLUDED.

-  RAIDER SEAL GASKET FOR 4"Ø PIPE (OR BLOCKOUT/ GASKET AS REQUIRED)
-  4"Ø PVC COUPLER CAST INTO BAFFLE

LID: 8,133 lbs.
 VAULT: 28,122 lbs.
 TOTAL WEIGHT: 36,236 lbs.
 TOTAL CONC: 9.32 cu.yd.

08/31/07

COLORADO PRECAST CONCRETE, Inc.
 1820 E. HIGHWAY 402, LOVELAND, CO 80537
 (970) 669-0535 FAX (970) 669-0674
 www.coloprecast.com



ITEM NAME:

3000 GALLON SEPTIC TANK