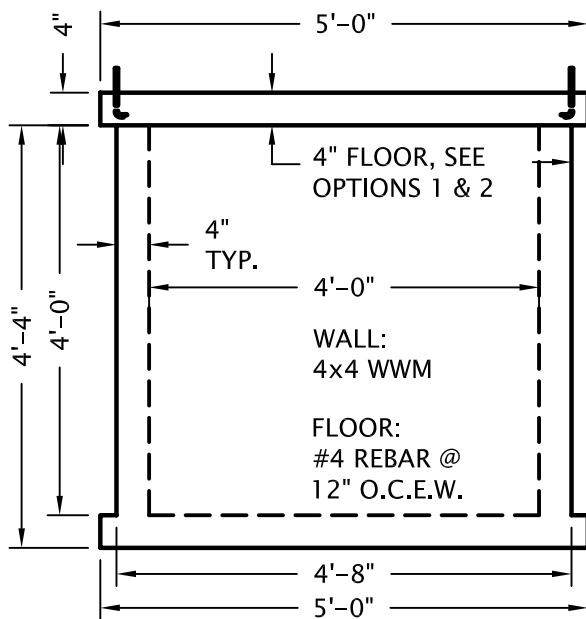


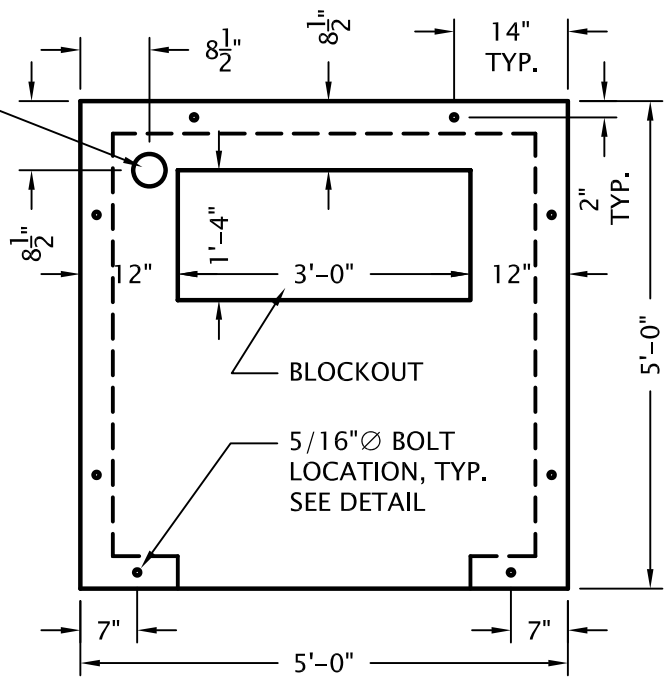
PLAN VIEW



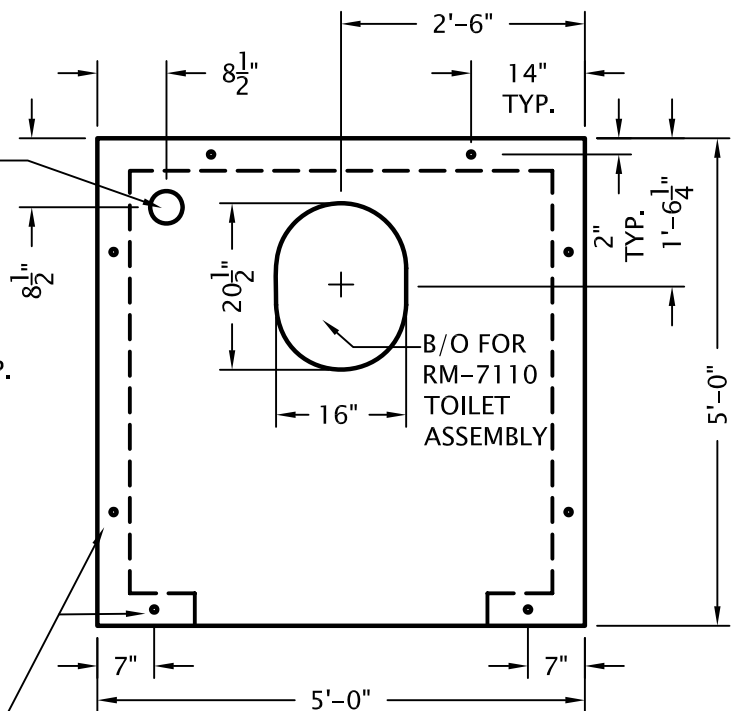
SECTION VIEW

SCALE: 1/2" = 1'

VAULT WEIGHT / CONCRETE: 5,156 lbs / 34.37 c.f.
 OPTION #1 WEIGHT / CONCRETE: 1,044 lbs / 7.0 c.f.
 OPTION #2 WEIGHT / CONCRETE: 1,150 lbs / 7.7 c.f.

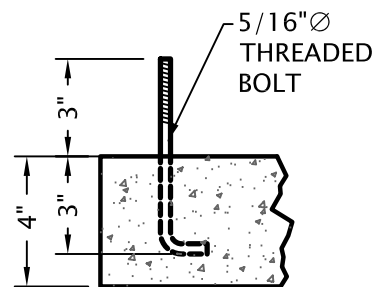


FLOOR OPTION #1



FLOOR OPTION #2

OPTION #3
THREADED BOLTS



11/21/05

COLORADO PRECAST CONCRETE, Inc.

1820 S.E. 14TH ST., LOVELAND, CO 80537
 (970) 669-0535 FAX (970) 669-0674



www.coloprecast.com

ITEM NAME:

480 GALLON PRIVY VAULT
 FOR RM-7110 RISER