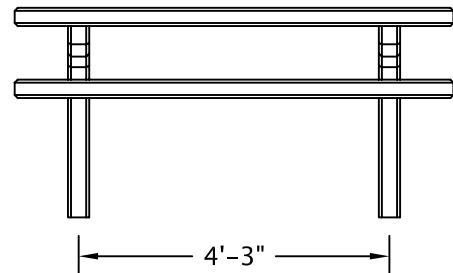
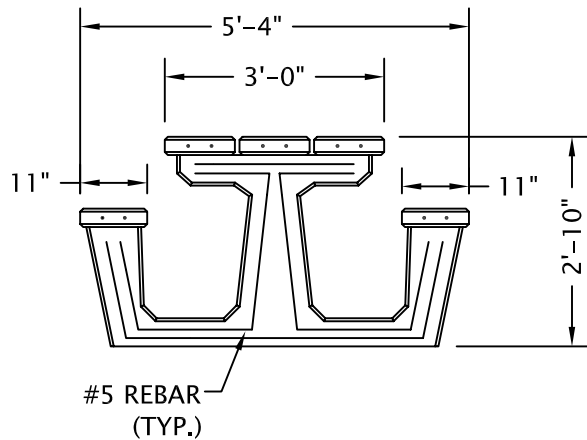


NOTES:

TABLE TOP AVAILABLE IN PLANKS OR SOLID.

TABLES AVAILABLE IN PLAIN GRAY AS STANDARD. COLORS AND TEXTURES ALSO AVAILABLE, CALL FOR INFORMATION.



NOTES:

1. WEIGHT OF ASSEMBLED TABLE WITH PLANKED TOP IS 1,569 LBS, 10.46 CF
2. WEIGHT OF ASSEMBLED TABLE WITH SOLID TOP IS 1,603 LBS, 10.69 CF
3. WEIGHT OF LEG IS 264 LBS ea. (2)
4. WEIGHT OF SEAT PLANK IS 203 LBS ea. (2)
5. WEIGHT OF TABLE TOP PLANK IS 212 LBS ea. (3)
6. WEIGHT OF SOLID TABLE TOP IS 670 LBS

12/16/04

CPC ITEM No.: PT72

COLORADO PRECAST CONCRETE, Inc.

1820 S.E. 14TH ST., LOVELAND, CO 80537
 (970) 669-0535 FAX (970) 669-0674

www.coloprecast.com



ITEM NAME:

6' RECTANGULAR PICNIC TABLE