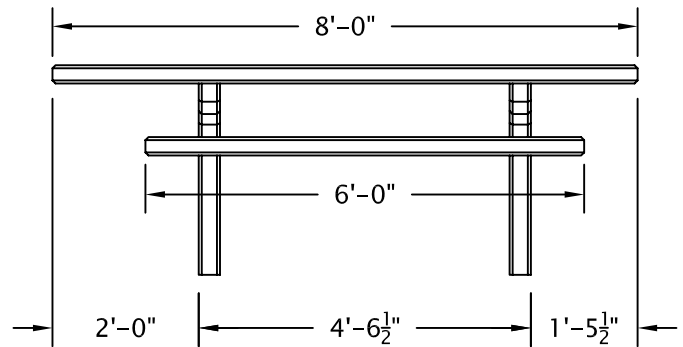
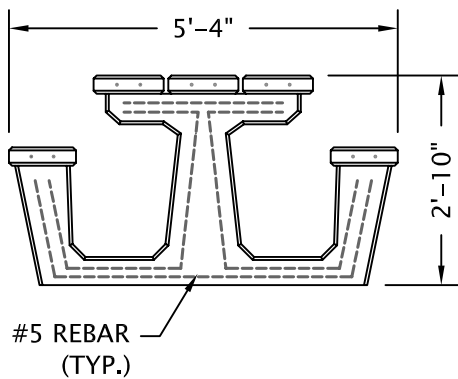


NOTES:

TABLE TOP AVAILABLE IN PLANKS OR SOLID.

TABLES AVAILABLE IN PLAIN GRAY AS STANDARD. COLORS AND TEXTURES ALSO AVAILABLE, CALL FOR INFORMATION.



NOTES:

1. WEIGHT OF ASSEMBLED TABLE WITH PLANKED TOP IS 1,782 LBS., 11.88 CF
2. WEIGHT OF ASSEMBLED TABLE WITH SOLID TOP IS 1,827 LBS., 12.18 CF
3. WEIGHT OF LEG IS 264 LBS. ea. (2)
4. WEIGHT OF SEAT PLANK IS 203 LBS. ea. (2)
5. WEIGHT OF TABLE TOP PLANK IS 283 LBS. ea. (3)
6. WEIGHT OF SOLID TABLE TOP IS 894 LBS. (1)

3/07/06

CPC ITEM No.: PT96H

COLORADO PRECAST CONCRETE, Inc.

1820 S.E. 14TH ST., LOVELAND, CO 80537
(970) 669-0535 FAX (970) 669-0674

www.coloprecast.com



ITEM NAME:

HANDICAP ACCESSIBLE
RECTANGULAR PICNIC TABLE