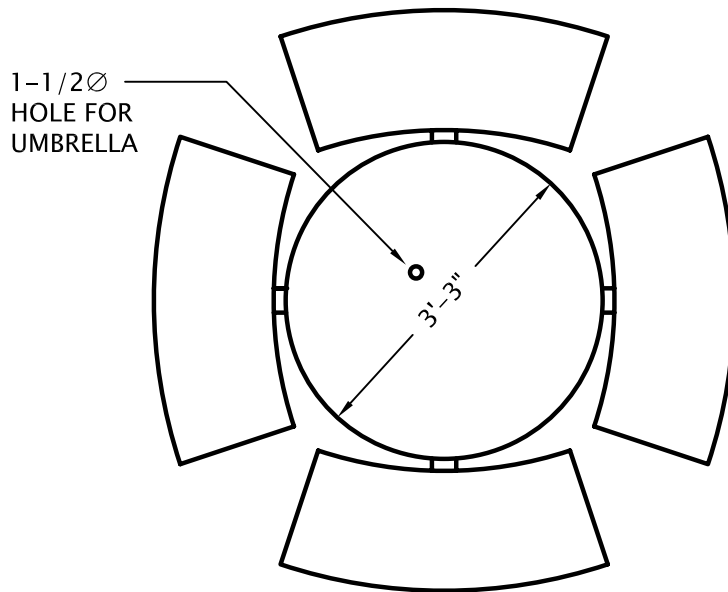
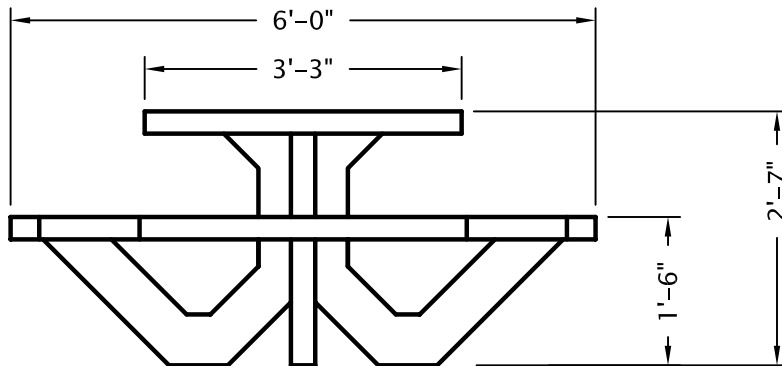


**BOTTOM VIEW**



1-1/2 $\varnothing$   
HOLE FOR  
UMBRELLA



WEIGHT: 1,241 LBS  
CONCRETE: 8.3 CF

COLOR: AVAILABLE ON REQUEST  
CAT.# PT36SS

7/7/05

**COLORADO PRECAST CONCRETE, Inc.**

1820 S.E. 14TH ST., LOVELAND, CO 80537  
(970) 669-0535 FAX (970) 669-0674

www.coloprecast.com



ITEM NAME:

**ROUND PICNIC TABLE  
WITH SEPARATE BENCHES**