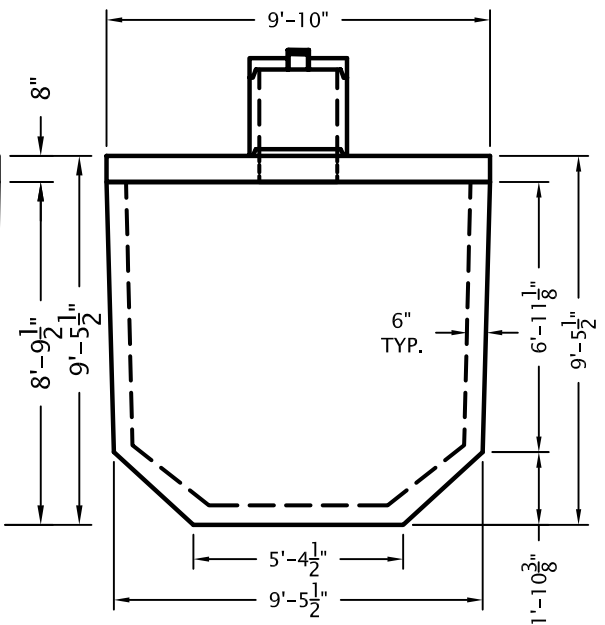


SIDE VIEW



END VIEW

NOTES:

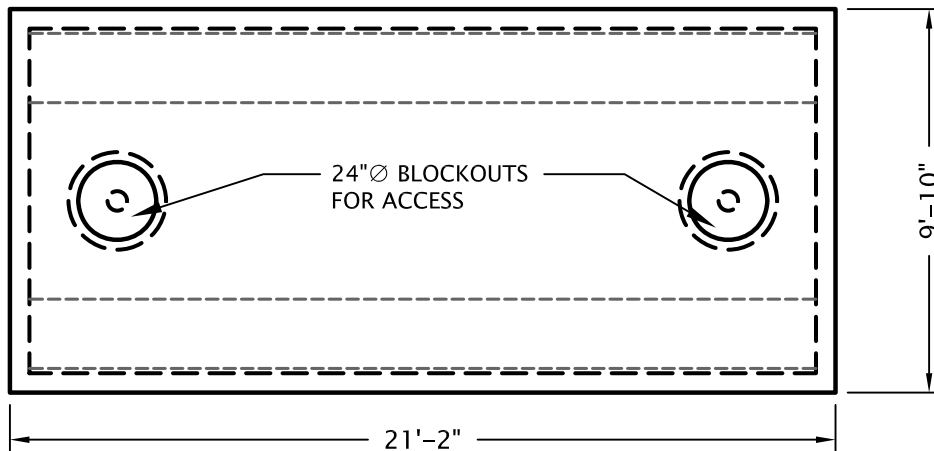
CISTERNS ARE MADE TO ORDER. THEREFORE, AT THE TIME OF ORDERING, PIPE SIZES AND LOCATIONS MUST BE SPECIFIED

ACTUAL CAPACITY

FULL: 10,284 GALLONS
1' HEAD: 8,956 GALLONS

WEIGHT / MATERIAL:

LID = 20,186 lbs / 135 c.f.
VAULT = 48,205 lbs / 321 c.f.
TOTAL = 68,391 LBS / 456 c.f.



LID

6/26/06

COLORADO PRECAST CONCRETE, Inc.

1820 S.E. 14TH ST., LOVELAND, CO 80537
(970) 669-0535 FAX (970) 669-0674

www.coloprecast.com



ITEM NAME:

10,000 GALLON STORAGE VAULT