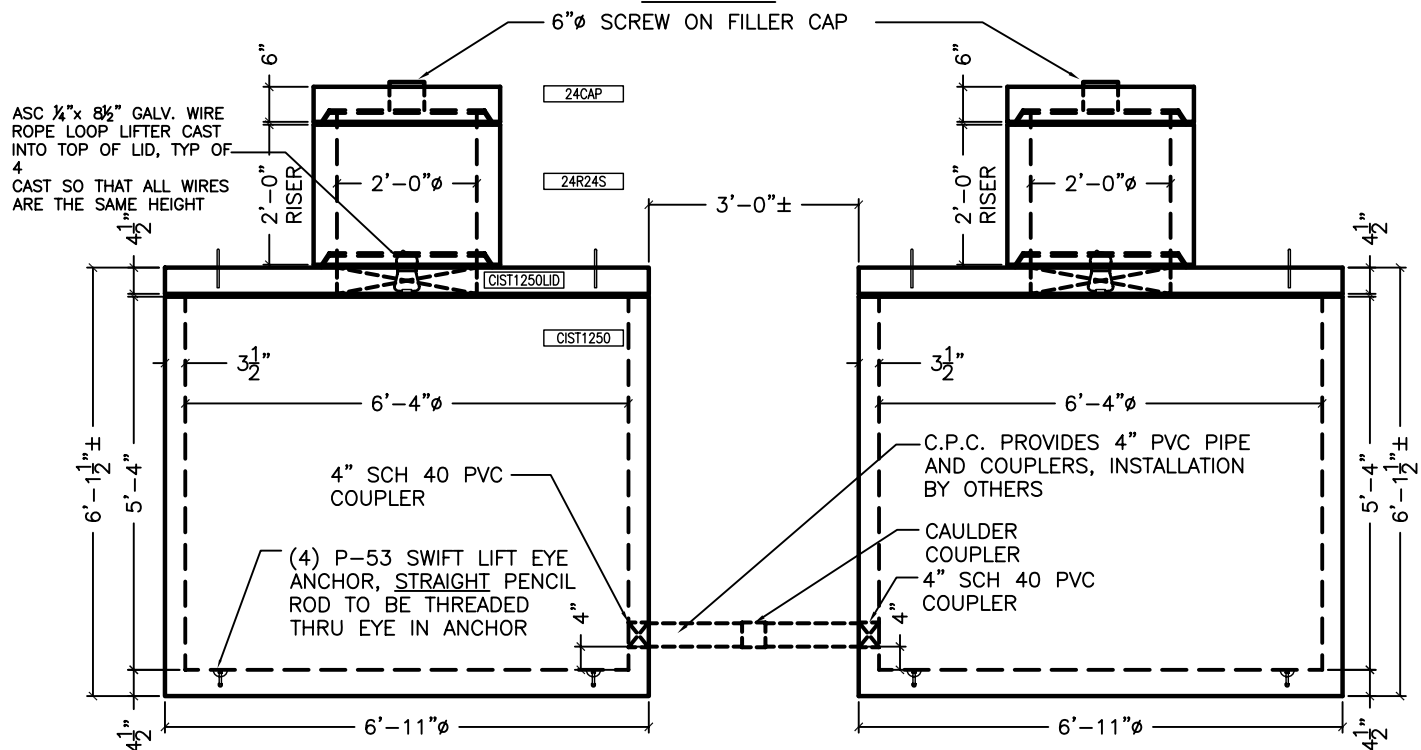


**TOP VIEW**



ASC 1/4" x 8 1/2" GALV. WIRE ROPE LOOP LIFTER CAST INTO TOP OF LID, TYP OF 4 CAST SO THAT ALL WIRES ARE THE SAME HEIGHT

- NOTES:**
1. CISTERNS ARE MADE TO ORDER, THEREFORE, AT THE TIME OF ORDERING THE SPECIFIC LOCATIONS OF ANY ADDITIONAL COUPLERS OR GASKETS IS REQUIRED.
  2. INSTALLATION OF TANKS AND ALL PIPE CONNECTIONS BY OTHERS
  3. 2 TANKS ARE NECESSARY TO ACHIEVE 2500 GALLONS.
  4. WALL THICKNESS IS 3-1/2"
  5. MINIMUM HOLE SIZE: 8'-6"x20'±

- REINFORCEMENT:**
- LID:  
#5 REBAR @ 7" O.C.E.W., CENTERED (2) ADD'L #5 REBAR EACH SIDE OF OPENING IN MAT
- WALLS:  
(2) MATS OF 4x8 WWF, CENTERED
- FLOOR:  
#4 REBAR @ 8" O.C. 1" CLEAR OF TOP OF FLOOR

WEIGHT/CONCRETE (EACH UNIT)		
RISER LID	361 LBS	0.09 CY
RISER	733 LBS	0.18 CY
LID	1,937 LBS	0.48 CY
VAULT	6,970 LBS	1.72 CY
<b>TOTAL</b>	<b>10,001 LBS</b>	<b>2.47 CY</b>

PART NO.	DESCRIPTION	QTY.
LIFTINSERT	MANHOLE LIFT INSERT	8
LIFTPEYE	P-53 1-TON SWIFT LIFT EYE ANCHOR	8
6PVCTP	6" PVC THREADED PLUG	2
6PVCFE	6" PVC FEMALE ADAPTER	2
4PVC40C	4" SCH 40 STOP COUPLING	2
PIPE4C	20"x4" SCH 40 PVC PIPE	1
RC4P	4x4 RUBBER COUPLING	1
LIFTWRLL14	1/4"x8 1/2" GALV. WIRE ROPE LIFT	8

04/24/09

**COLORADO PRECAST CONCRETE, Inc.**  
 1820 E. HIGHWAY 402, LOVELAND, CO 80537  
 (970) 669-0535 FAX (970) 669-0674  
 www.coloprecast.com



ITEM NAME:  
**2500 GALLON CISTERN SYSTEM**