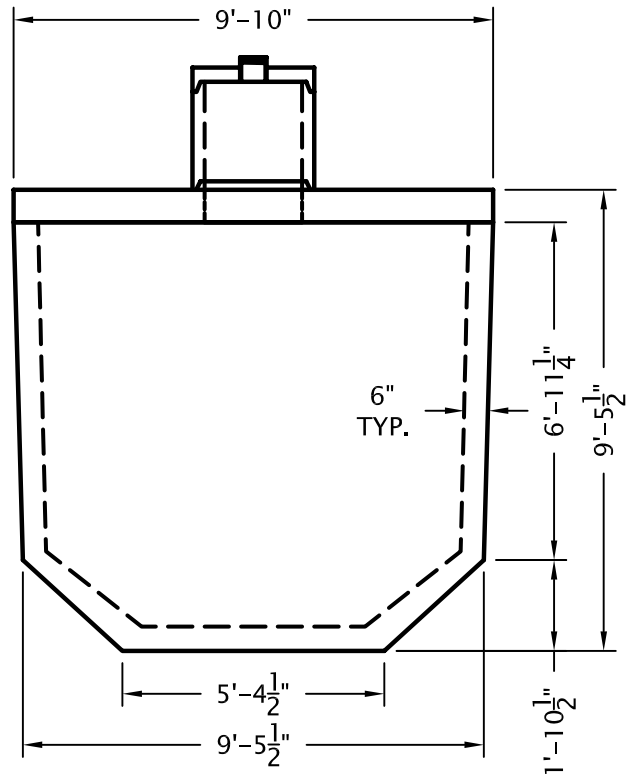
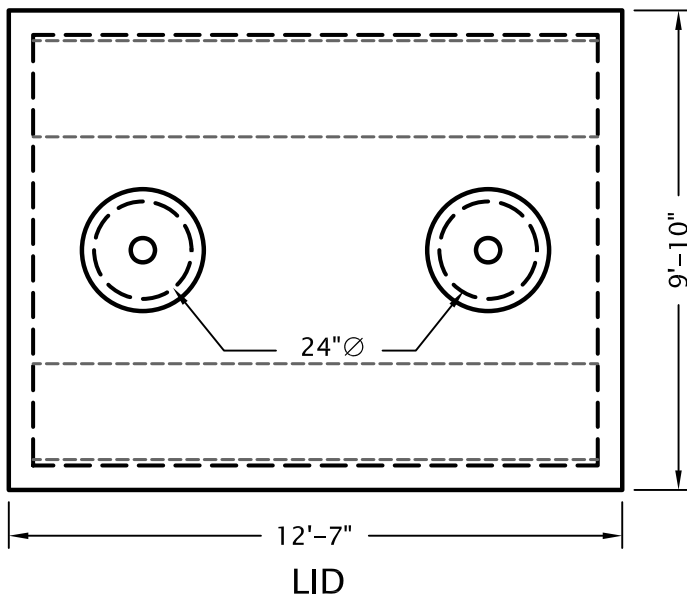


SIDE VIEW



END VIEW



LID

NOTES:

CISTERNS ARE MADE TO ORDER. THEREFORE, AT THE TIME OF ORDERING, PIPE SIZES AND LOCATIONS MUST BE SPECIFIED

ACTUAL CAPACITY

FULL: 5879 GALLONS  
 1' HEAD: 5117 GALLONS

WEIGHT / MATERIAL:

LID = 11,746 lbs / 78 c.f.  
 VAULT = 32,702 lbs / 218 c.f.  
 TOTAL = 44,448 lbs / 296 c.f.

6/26/06

COLORADO PRECAST CONCRETE, Inc.

1820 S.E. 14TH ST., LOVELAND, CO 80537  
 (970) 669-0535 FAX (970) 669-0674

www.coloprecast.com



ITEM NAME:

5,500 GALLON STORAGE VAULT