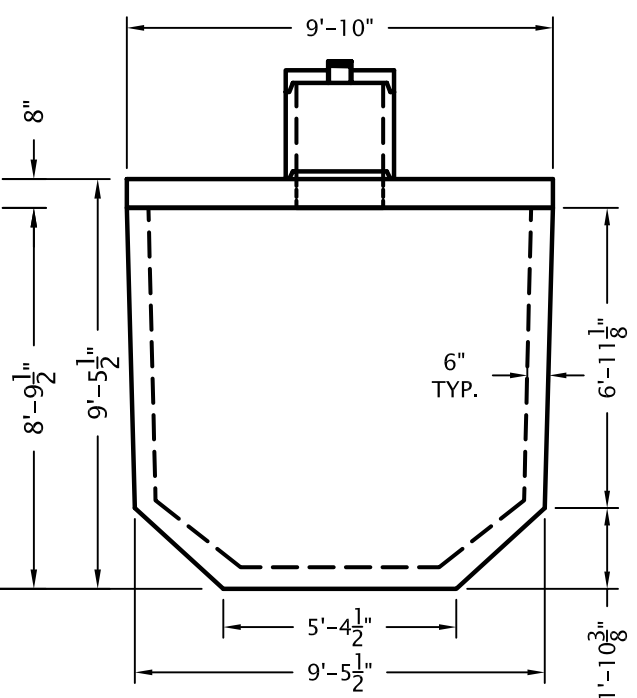
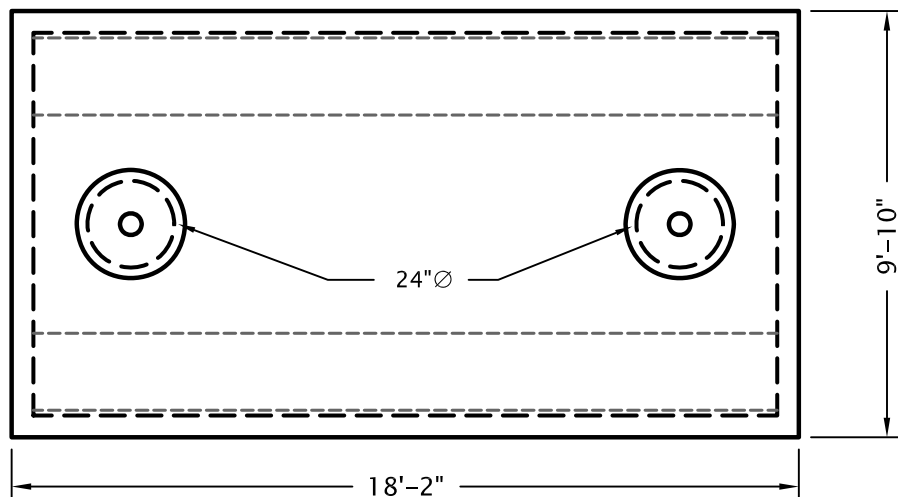


SIDE A



SIDE B



LID

NOTES:

CISTERNS ARE MADE TO ORDER. THEREFORE, AT THE TIME OF ORDERING, PIPE SIZES AND LOCATIONS MUST BE SPECIFIED

ACTUAL CAPACITY

FULL: 8745 GALLONS
1' HEAD: 7615 GALLONS

WEIGHT / MATERIAL:

LID = 17,236 lbs / 115 c.f.
VAULT = 42,786 lbs / 285 c.f.
TOTAL = 60,022 lbs / 400 c.f.

6/26/06

COLORADO PRECAST CONCRETE, Inc.

1820 S.E. 14TH ST., LOVELAND, CO 80537
(970) 669-0535 FAX (970) 669-0674

www.coloprecast.com



ITEM NAME:

8,500 GALLON STORAGE VAULT