

**TOP VIEW**

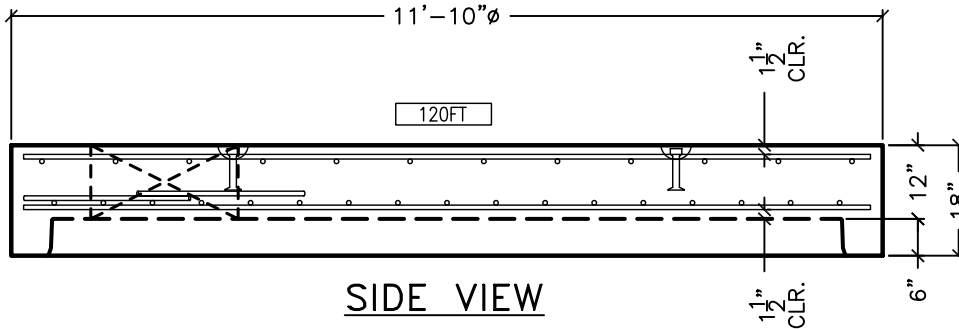
(4) 8-TON x 6<sup>3</sup>/<sub>4</sub>" P-52 SWIFT LIFT CAST INTO TOP OF FLOOR

(2) ADD'L #6 REBAR IN BOTTOM MAT + (1) ADD'L DIAGONAL EACH SIDE OF BLOCKOUT, ON TOP OF BOTTOM MAT, 3" CLR OF BLOCKOUT

REINFORCEMENT:  
2 MATS

UPPER MAT:  
#6 REBAR @ 12" O.C.E.W.,  
1<sup>1</sup>/<sub>2</sub>" OFF TOP

LOWER MAT:  
#6 REBAR @ 8" O.C.E.W.,  
1<sup>1</sup>/<sub>2</sub>" OFF BOTTOM



**SIDE VIEW**

WEIGHT/CONCRETE:  
17,467 LBS / 4.31 CY

02/06/09

**COLORADO PRECAST CONCRETE, Inc.**  
1820 E. HIGHWAY 402, LOVELAND, CO 80537  
(970) 669-0535 FAX (970) 669-0674  
www.coloprecast.com



ITEM NAME:

**18" FLAT TOP FOR 10'Ø MANHOLE  
WITH 24"Ø BLOCKOUT**