

(4) 8-TON x 6³/₄"
P-52 SWIFT LIFT
CAST INTO TOP OF
FLOOR

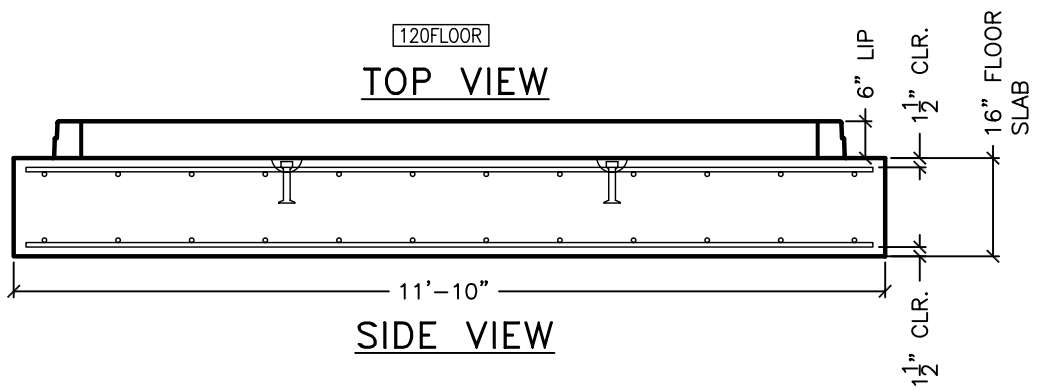
REINFORCEMENT:
2 MATS

UPPER MAT:
#6 REBAR @ 12" O.C.E.W.,
1¹/₂" OFF TOP

LOWER MAT:
#6 REBAR @ 12" O.C.E.W.,
1¹/₂" OFF BOTTOM

120FLOOR

TOP VIEW



SIDE VIEW

WEIGHT/CONCRETE:
23,086 LBS / 5.70 CY

02/10/09

COLORADO PRECAST CONCRETE, Inc.
1820 E. HIGHWAY 402, LOVELAND, CO 80537
(970) 669-0535 FAX (970) 669-0674
www.coloprecast.com



ITEM NAME:

FLOOR FOR 10'Ø MANHOLE