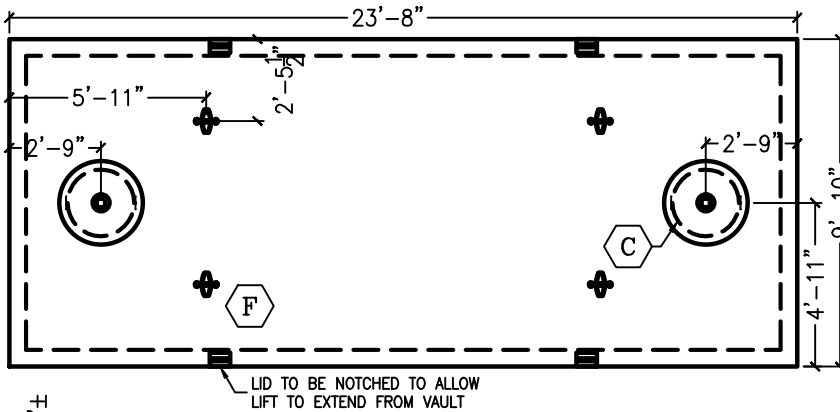
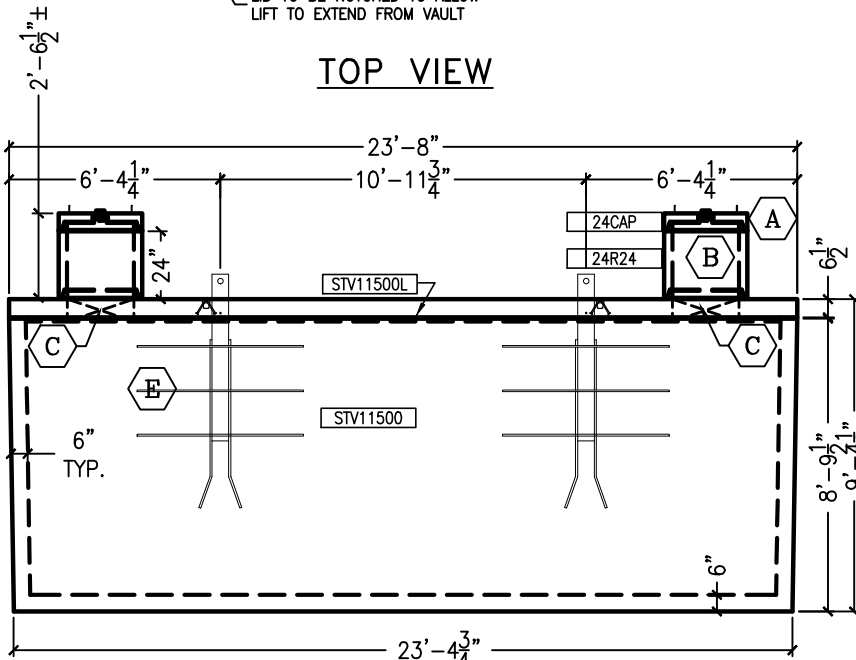


PART NO.	DESCRIPTION	QTY.
ANCHU4	4-TON UTILITY ANCHOR #6UA444	4
LIFTFB	FLAT BAR TANK LIFT	4
6PVCFE	6" PVC FEMALE ADAPTOR	2
6PVCTP	6" THREADED PLUG	2
LIFTWRL18	1/8"X6 1/2" GALV WIRE ROPE LIFTER	4

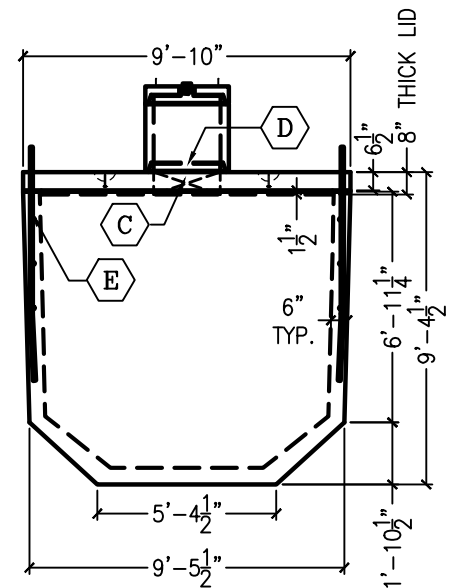


TOP VIEW

- A** 6"H CAP LID WITH 6" PVC SCREW ON FILLER CAP
- B** 24"Ø RISER MATERIAL, HEIGHT AS REQUIRED
- C** 24"Ø BLOCKOUT IN VAULT LID
- D** HEADER CAST ONTO TOP OF LID FOR 24" RISER
- E** 3/4" x 6" WIDE FLAT BAR LIFT CAST INTO TANK WALL EXTENDING UP 16" FROM TOP OF TANK
- F** 4-TON UTILITY ANCHOR #6UA444 CAST INTO TOP OF LID



SIDE VIEW



END VIEW

ACTUAL CAPACITY:
 FULL: 11,562 GALLONS
 1' HEAD: 10,070 GALLONS

NOTES:
 CISTERNS ARE MADE TO ORDER.
 THEREFORE, AT THE TIME OF ORDERING,
 PIPE SIZES AND LOCATIONS MUST BE
 SPECIFIED FOR LOCATING GASKETS
 AND/OR BLOCKOUTS

DESIGN PROPERTIES:
 CONCRETE STRENGTH= 4,000 PSI
 CONCRETE WEIGHT= 150PCF NORMAL WT
 STEEL STRENGTH= 60,000 PSI

DESIGN LOADS:
 AASHTO HS-10 FOR LIGHT TRAFFIC, MAX.
 COVER 3' ON TOP OF LID.

WEIGHT/CONCRETE		
LID	22,024 LBS	5.44 CY
VAULT	52,701 LBS	13.01 CY
TOTAL	74,726 LBS	18.45 CY

03/14/2012

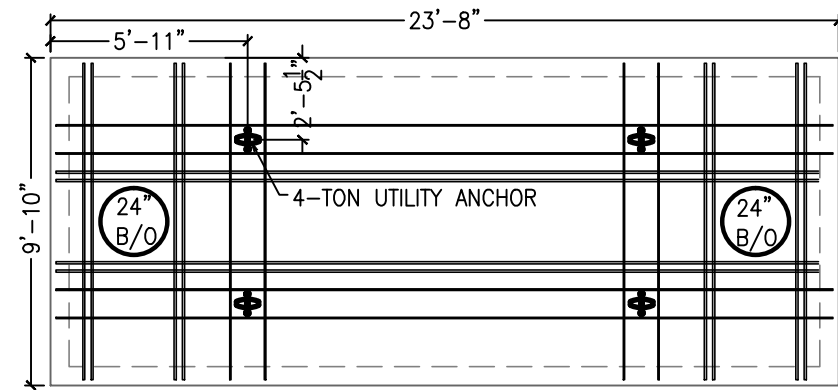
COLORADO PRECAST CONCRETE, Inc.

1820 E. HIGHWAY 402, LOVELAND, CO 80537
 (970) 669-0535 FAX (970) 669-0674
 www.coloprecast.com

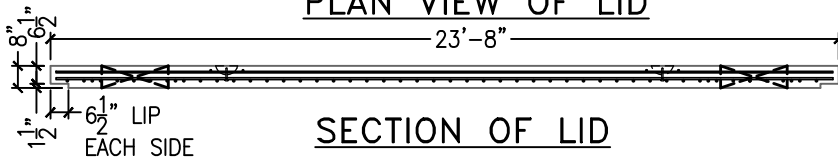


ITEM NAME:

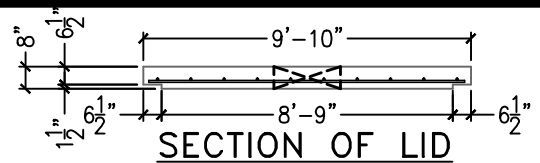
11,500 GALLON STORAGE VAULT



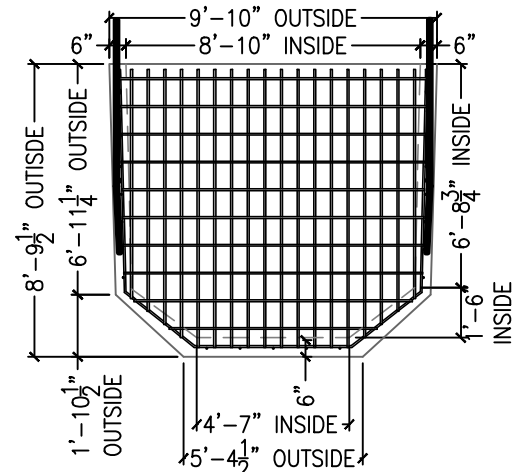
PLAN VIEW OF LID



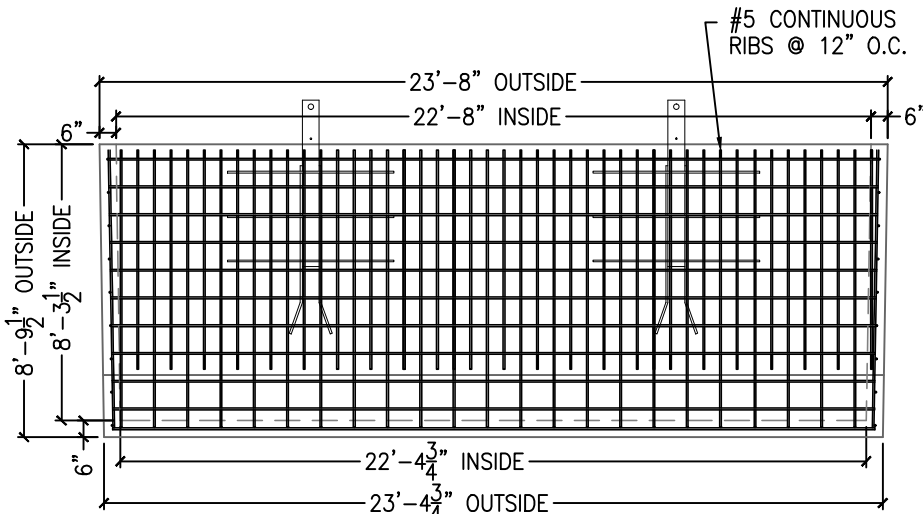
SECTION OF LID



SECTION OF LID



END VIEW OF VAULT



SIDE VIEW OF VAULT

LID REINFORCEMENT:

- LID TO BE 8" THICK
- SHORT BAR: #6 REBAR @ 6" O.C., 2 1/2" OFF BOTTOM OF LID
- LONG BAR #6 REBAR @ 12" O.C. ON TOP OF SHORT BAR
- (2) ADD'L #6 REBAR EACH SIDE OF OPENINGS @ MIN. 3" O.C.
- (1) ADD'L #4 REBAR EACH SIDE OF LIFTS, 1 1/2" OFF TOP OF LID

LONG WALLS:

- VERTICAL BARS: #5 @ 6" O.C. 1 1/2" OFF INSIDE WALL, INCLUDES #5 CONTINUOUS RIBS @ 12" O.C., AND (1) ADDITIONAL #5 BAR @ 6" BETWEEN RIBS

HORIZONTAL BARS:

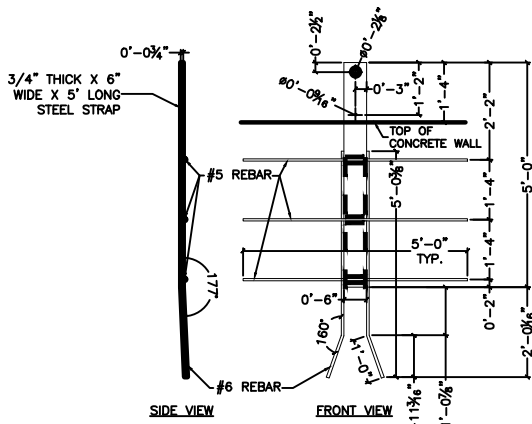
- #5 BAR @ 10" O.C. WELDED TO THE OUTSIDE OF VERTICAL BARS

FLOOR:

- #5 CONTINUOUS RIBS @ 12" O.C. 1 1/2" OFF TOP OF FLOOR
- #5 REBAR AT 12" O.C. LENGTHWISE

END WALLS:

- VERTICAL BARS: #6 BAR @ 6" O.C., 1 1/2" OFF INSIDE OF WALL
- HORIZONTAL BARS: #5 BAR @ 10" O.C., WELDED TO THE OUTSIDE OF VERTICAL BARS.



TANK LIFT DETAIL
LIFT TO BE TIED TO TANK CAGE

REBAR TO FLATBAR CONNECTION STARTING AT BOTTOM OF FLATBAR 5" FILLET WELDS WITH 5" OF SPACE BETWEEN EACH WELD
— INDICATES FULL FILLET WELD

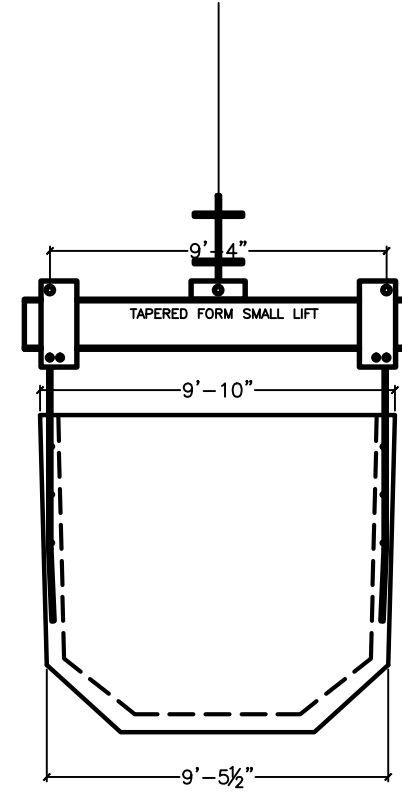
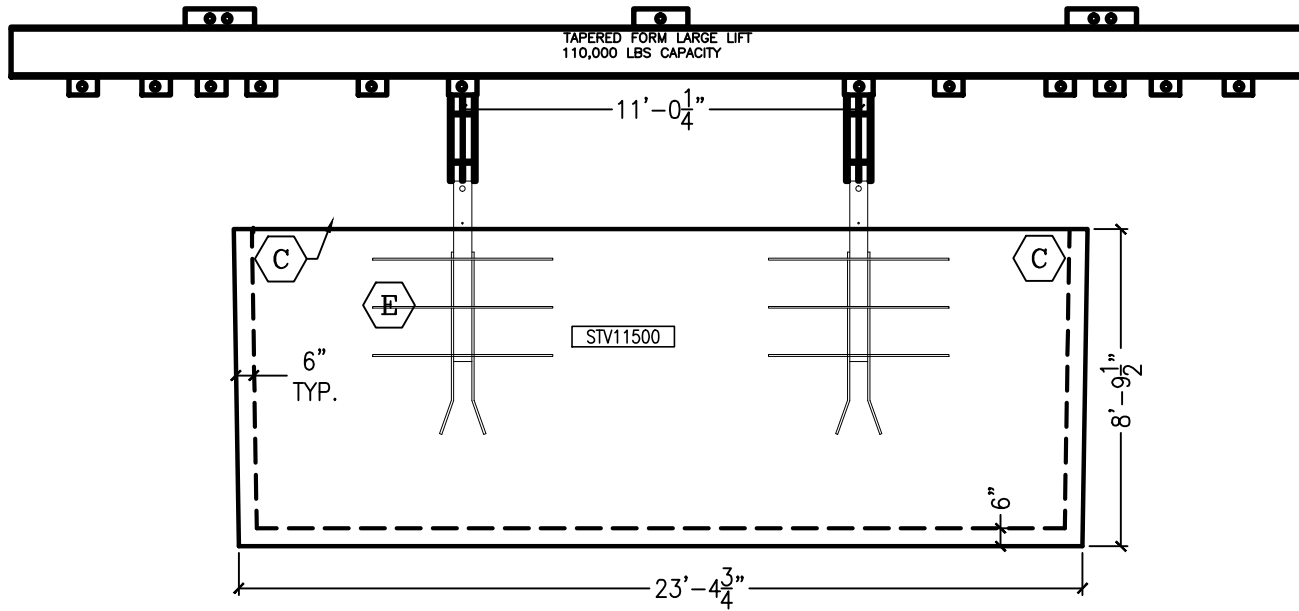
3/12/12

COLORADO PRECAST CONCRETE, Inc.
1820 E. HIGHWAY 402, LOVELAND, CO 80537
(970) 669-0535 FAX (970) 669-0674
www.coloprecast.com



ITEM NAME:

REINFORCEMENT FOR
11,500 GALLON STORAGE VAULT



WEIGHT/CONCRETE		
VAULT	52,701 LBS	13.01 CY

RIGGING VERIFIED BY: _____

USE LARGE TAPERED FORM SPREADER BAR AT 11'-10 1/4" HOLES WITH (2) SMALL TAPERED FORM SPREADER BARS WITH CLEVIS DIRECTLY TO FLAT PLATE LIFT IN TOP OF TANK WALL **TO BE VERIFIED BY CRANE OPERATOR PRIOR TO LIFTING**

3/12/12

COLORADO PRECAST CONCRETE, Inc.

1820 E. HIGHWAY 402, LOVELAND, CO 80537

(970) 669-0535 FAX (970) 669-0674

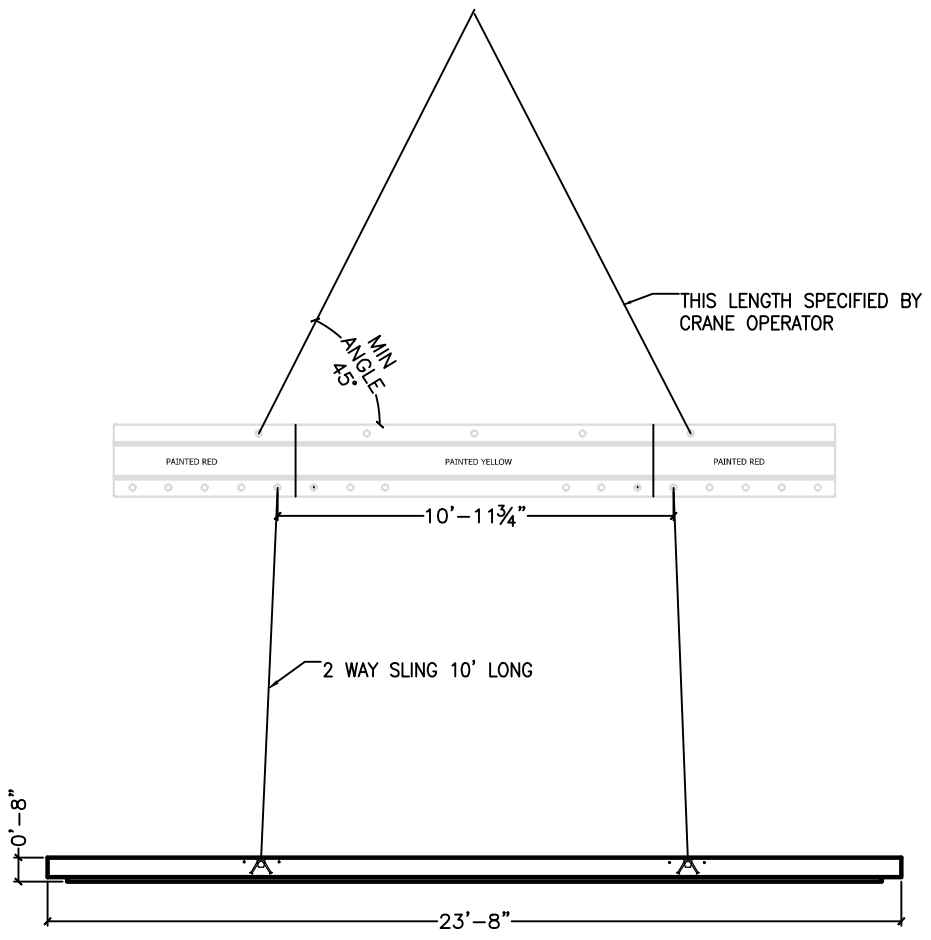
www.coloprecast.com



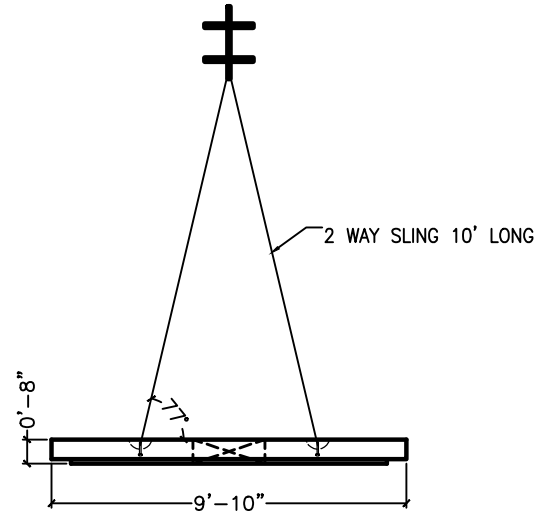
ITEM NAME:

REINFORCEMENT FOR
11,500 GALLON STORAGE VAULT

THIS DOCUMENT IS THE PROPERTY OF COLORADO PRECAST CONCRETE, INC. (C.P.C.) AND IS TO BE USED FOR REFERENCE ONLY. IT SHALL NOT BE REPRODUCED IN ANY WAY HARMFUL TO THE INTERESTS OF C.P.C.



WEIGHT/CONCRETE		
LID	22,024 LBS	5.44 CY



RIGGING VERIFIED BY: _____

USE YELLOW/RED SPREADER BAR AT 10'-11 3/4"
 HOLES WITH (2) 2 WAY SLINGS MIN 10' LONG
 **TO BE VERIFIED BY CRANE OPERATOR PRIOR
 TO LIFTING**

3/12/12

COLORADO PRECAST CONCRETE, Inc.

1820 E. HIGHWAY 402, LOVELAND, CO 80537
 (970) 669-0535 FAX (970) 669-0674
 www.coloprecast.com



ITEM NAME:

REINFORCEMENT FOR
 11,500 GALLON STORAGE VAULT

THIS DOCUMENT IS THE PROPERTY OF COLORADO PRECAST CONCRETE, INC. (C.P.C.) AND IS TO BE USED FOR REFERENCE ONLY. IT SHALL NOT BE REPRODUCED IN ANY WAY HARMFUL TO THE INTERESTS OF C.P.C.