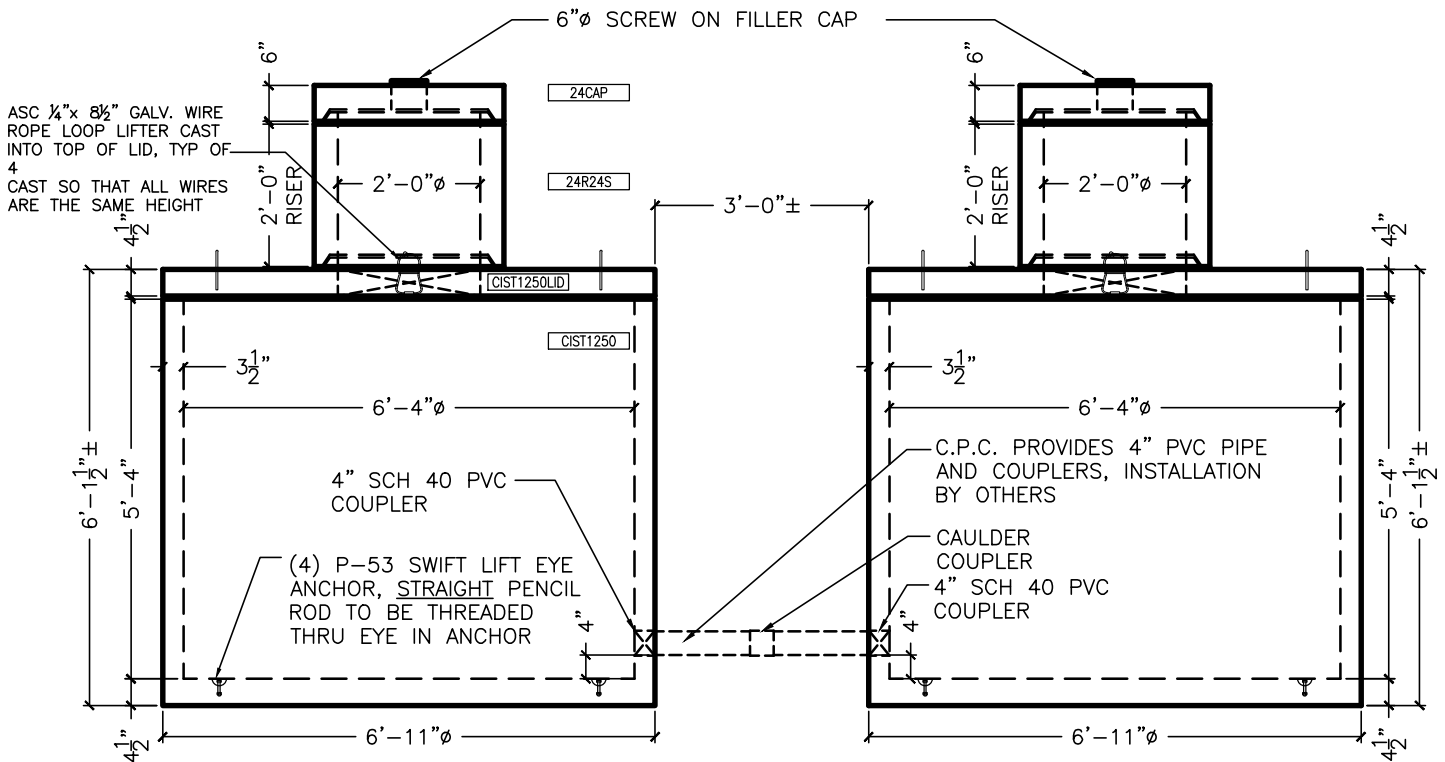


TOP VIEW



NOTES:

1. CISTERNS ARE MADE TO ORDER, THEREFORE, AT THE TIME OF ORDERING THE SPECIFIC LOCATIONS OF ANY ADDITIONAL COUPLERS OR GASKETS IS REQUIRED.
2. INSTALLATION OF TANKS AND ALL PIPE CONNECTIONS BY OTHERS
3. 2 TANKS ARE NECESSARY TO ACHIEVE 2500 GALLONS.
4. WALL THICKNESS IS 3-1/2"
5. MINIMUM HOLE SIZE: 8'-6"x20"±

REINFORCEMENT:
SEE PAGE 2

WEIGHT/CONCRETE (EACH UNIT)		
RISER LID	361 LBS	0.09 CY
RISER	733 LBS	0.18 CY
LID	1,937 LBS	0.48 CY
VAULT	6,970 LBS	1.72 CY
TOTAL	10,001 LBS	2.47 CY

NOTE:
IT IS THE RESPONSIBILITY OF THE CONTRACTOR TO VERIFY ALL DIMENSIONS AND SPECIFICATIONS

APPROVED BY _____ DATE _____

PART NO.	DESCRIPTION	QTY.
LIFTINSERT	MANHOLE LIFT INSERT	8
LIFTPEYE	P-53 1-TON SWIFT LIFT EYE ANCHOR	8
6PVCTP	6" PVC THREADED PLUG	2
6PVCFE	6" PVC FEMALE ADAPTER	2
4PVC40C	4" SCH 40 STOP COUPLING	2
PIPE4C	20'x4" SCH 40 PVC PIPE	1
RC4P	4x4 RUBBER COUPLING	1
LIFTWRLL14	1/4"x8 1/2" GALV. WIRE ROPE LIFT	8

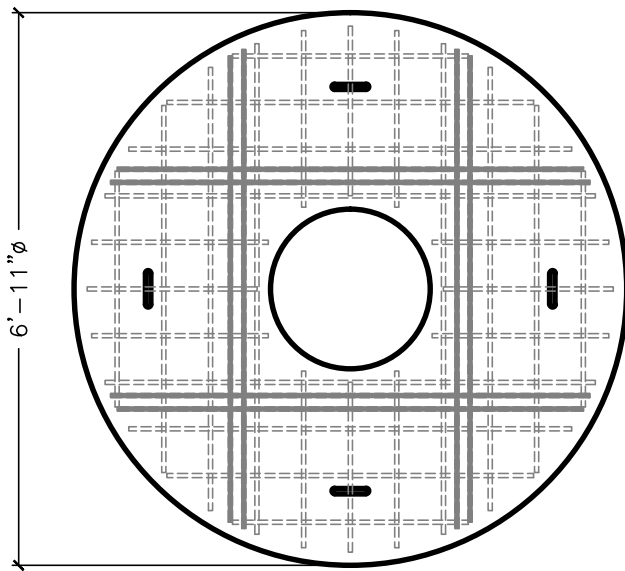
Q:\CATALOG-DRAWINGS\WATER\STORAGE VAULTS\2500 GAL CISTERN SYSTEM 8/7/2012 1:42 PM

COLORADO PRECAST CONCRETE, Inc.
1820 E. HIGHWAY 402, LOVELAND, CO 80537
(970) 669-0535 FAX (970) 669-0674
www.coloprecast.com

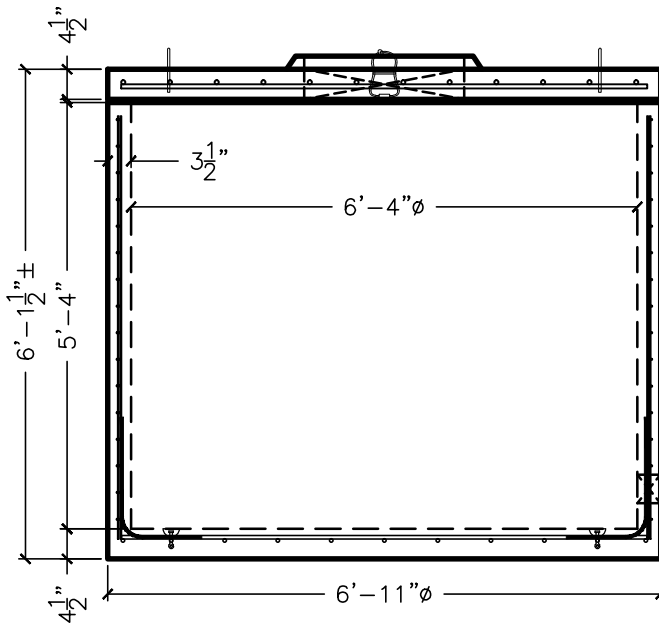


ITEM NAME:

2500 GALLON CISTERN SYSTEM



LID TOP VIEW



SIDE VIEW

REINFORCEMENT:

LID:

#5 REBAR @ 7" O.C.E.W., CENTERED VERTICALLY.

VAULT:

WALLS: (2) MATS OF 4x8 WWF, CENTERED.

FLOOR: #4 REBAR @ 8" O.C.E.W., 1" CLEAR OF TOP OF FLOOR.

USE (12) STANDARD HOOK 12" X 18" #4 REBAR EQUALLY SPACED TO TIE FLOOR CAGE TO WALL CAGE.

EDGE/BLOCKOUT CLEARANCE: 2" TYP.

▮ = ADD'L REBAR AS SHOWN, MIN. 1/2" CLR.

Q:\CATALOG-DRAWINGS\WATER\STORAGE VAULTS\2500 GAL CISTERN SYSTEM 8/7/2012 1:42 PM

COLORADO PRECAST CONCRETE, Inc.
 1820 E. HIGHWAY 402, LOVELAND, CO 80537
 (970) 669-0535 FAX (970) 669-0674
 www.coloprecast.com



ITEM NAME:

2500 GALLON CISTERN SYSTEM REBAR