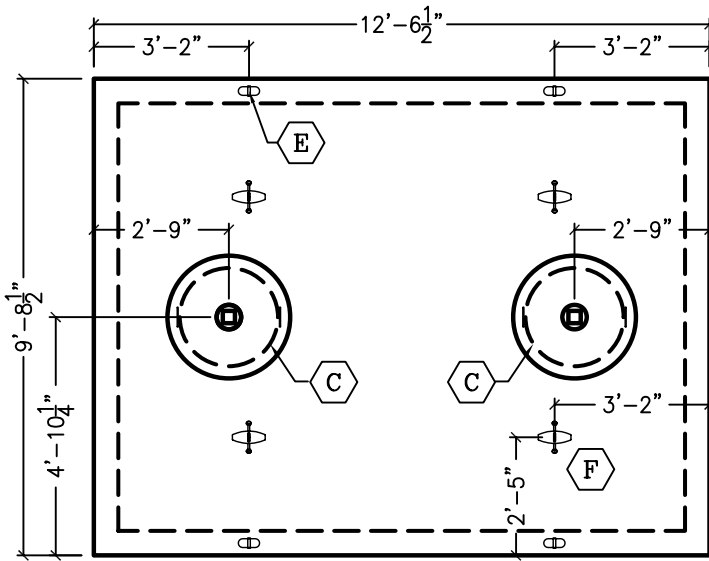
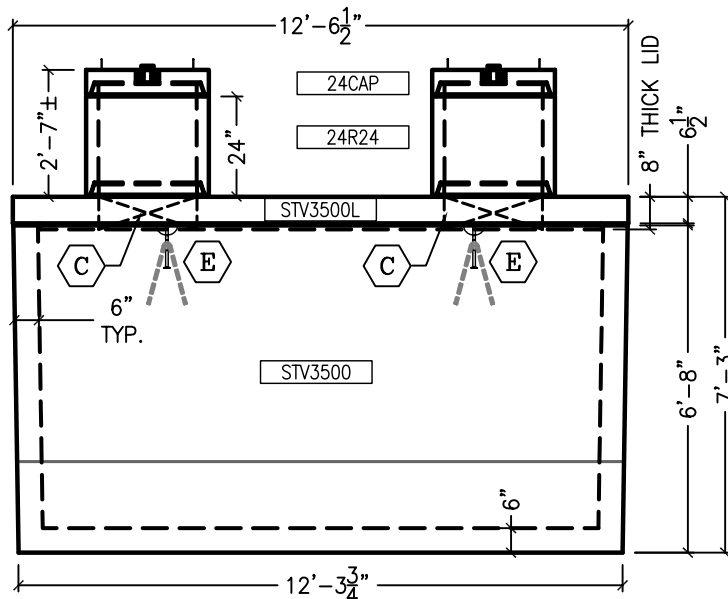


PART NO.	DESCRIPTION	QTY.
ANCHU4	4-TON UTILITY ANCHOR #6UA444	4
ERECTP92F6	6 TON P-92-F FORGED ERECTION ANCHOR	4
6PVCFE	6" PVC FEMALE ADAPTOR	2
6PVCTP	6" THREADED PLUG	2
LIFTWRL18	1/8"X6 1/2" GALV WIRE ROPE LIFTER	4

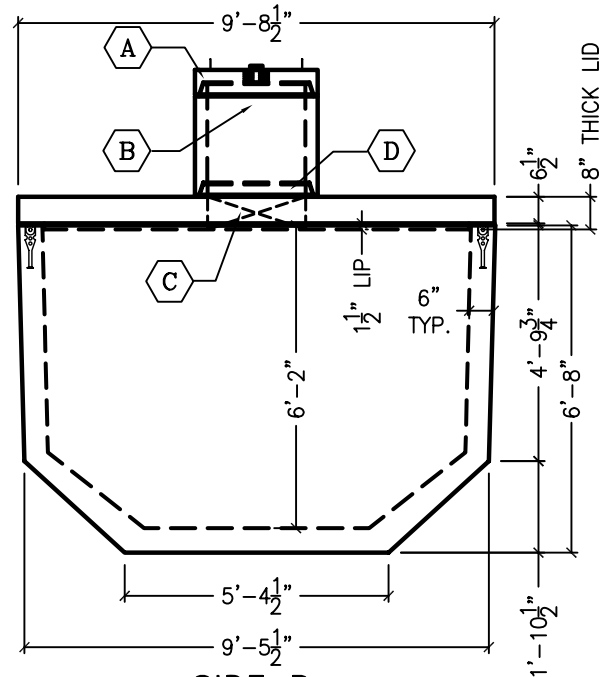


**TOP VIEW**

- A** 6"H CAP LID WITH 6" PVC SCREW ON FILLER CAP
- B** 24"Ø RISER MATERIAL, HEIGHT AS REQUIRED
- C** 24"Ø BLOCKOUT IN VAULT LID
- D** HEADER CAST ONTO TOP OF LID FOR 24" RISER
- E** P-92-F FLEET LIFT FORGED ERECTION ANCHOR WITH TENSION BAR CAST INOT TOP OF WALL
- F** 4-TON UTILITY ANCHOR #6UA444 CAST INTO TOP OF LID



**SIDE A**



**SIDE B**

NOTE:  
CISTERNS ARE MADE TO ORDER. THEREFORE, AT THE TIME OF ORDERING, PIPE SIZES AND LOCATIONS MUST BE SPECIFIED

ACTUAL CAPACITY:  
FULL: 4,393 GALLONS  
1' HEAD: 3,515 GALLONS

**WEIGHT/CONCRETE**

LID	11,149 LBS	2.75 CY
VAULT	25,964 LBS	6.41 CY
<b>TOTAL</b>	<b>37,103 LBS</b>	<b>9.16 CY</b>

04/01/09

**COLORADO PRECAST CONCRETE, Inc.**

1820 E. HIGHWAY 402, LOVELAND, CO 80537  
(970) 669-0535 FAX (970) 669-0674  
www.coloprecast.com



ITEM NAME:

**3500 GALLON LOW PROFILE  
STORAGE VAULT**