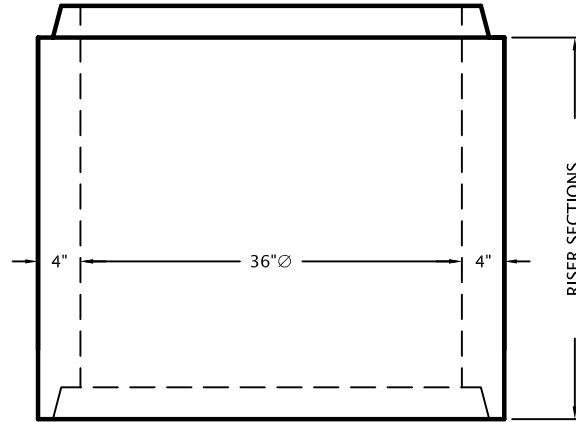
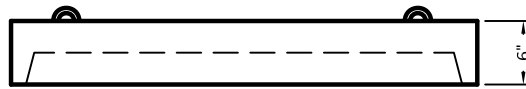
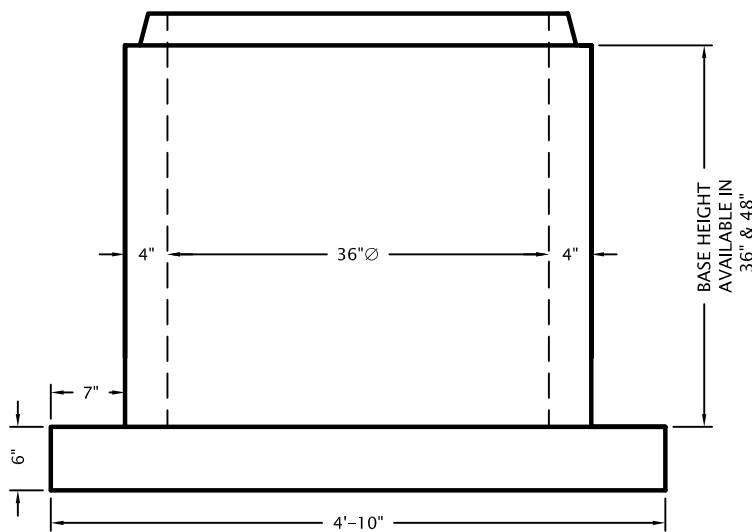


PLAN VIEW

CAP LIDS AVAILABLE AS SOLID OR WITH 20"Ø OPENING WITH PLUG OR A 24"Ø OPENING



RISER SECTIONS AVAILABLE IN 12", 18", 24", 36" & 48"



BASE HEIGHT AVAILABLE IN 36" & 48"

WEIGHTS (LBS)		
CAP	SOLID	759
	24" HOLE	534
RISERS	12"	502
	24"	1,004
	36"	1,506
BASES	36"	2,895
	48"	3,398

09/10/07

COLORADO PRECAST CONCRETE, Inc.
 1820 E. HIGHWAY 402, LOVELAND, CO 80537
 (970) 669-0535 FAX (970) 669-0674
 www.coloprecast.com



ITEM NAME:

36"Ø MANHOLE