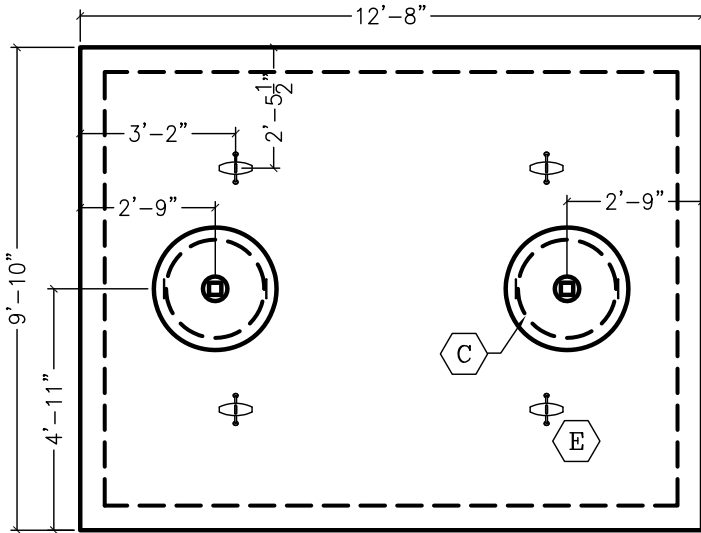
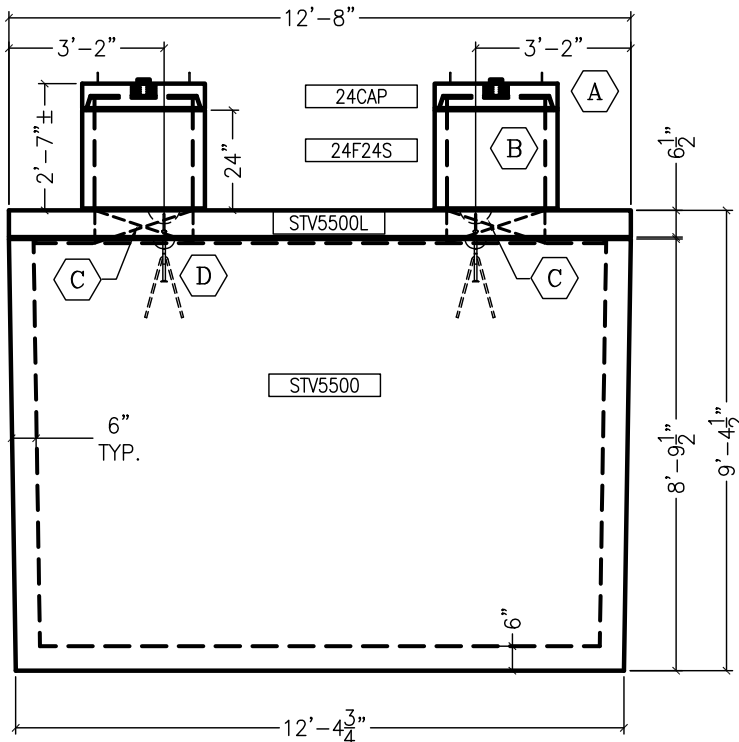


PART NO.	DESCRIPTION	QTY.
ANCHU4	4-TON UTILITY ANCHOR #6UA444	4
ERECTP92F6	6 TON P-92-F FORGED ERECTION ANCHOR	4
6PVCFE	6" PVC FEMALE ADAPTOR	2
6PVCTP	6" THREADED PLUG	2
LIFTWRL18	1/8"X6 1/2" GALV WIRE ROPE LIFTER	4

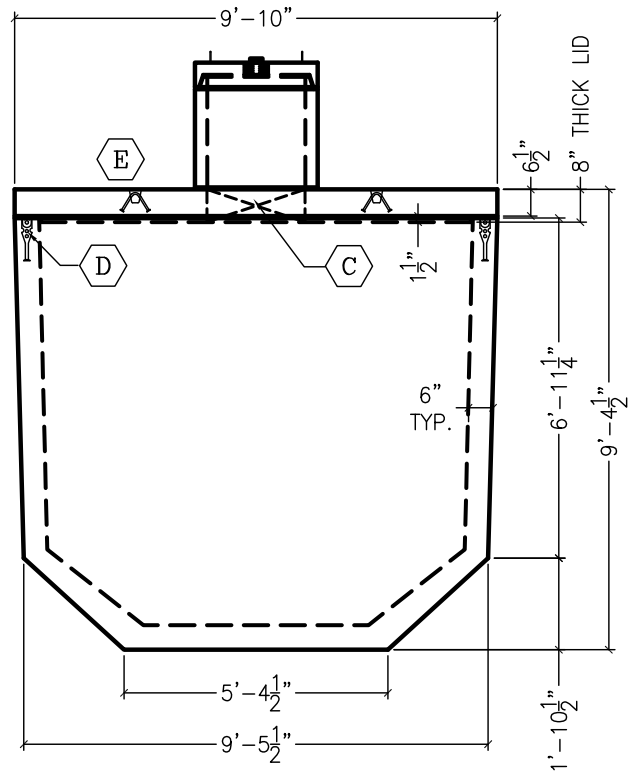


TOP VIEW

- A** 6"H CAP LID WITH 6" PVC SCREW ON FILLER CAP
- B** 24"Ø RISER MATERIAL, HEIGHT AS REQUIRED
- C** 24"Ø BLOCKOUT IN VAULT LID
- D** P-92-F 6-TON FLEET LIFT FORGED ERECTION ANCHOR WITH TENSION BAR CAST INTO TOP OF WALL
- E** 4-TON UTILITY ANCHOR #6UA444 CAST INTO TOP OF LID



SIDE VIEW



END VIEW

ACTUAL CAPACITY:
 FULL: 5922 GALLONS
 1' HEAD: 5154 GALLONS

	WEIGHT/CONCRETE	
LID	11,424 LBS	2.82 CY
VAULT	32,853 LBS	8.11 CY
TOTAL	44,277 LBS	10.93 CY

NOTES:
 CISTERNS ARE MADE TO ORDER. THEREFORE, AT THE TIME OF ORDERING, PIPE SIZES AND LOCATIONS MUST BE SPECIFIED FOR LOCATING GASKETS AND/OR BLOCKOUTS

04/17/09

COLORADO PRECAST CONCRETE, Inc.

1820 E. HIGHWAY 402, LOVELAND, CO 80537
 (970) 669-0535 FAX (970) 669-0674
 www.coloprecast.com



ITEM NAME:

5500 GALLON STORAGE VAULT