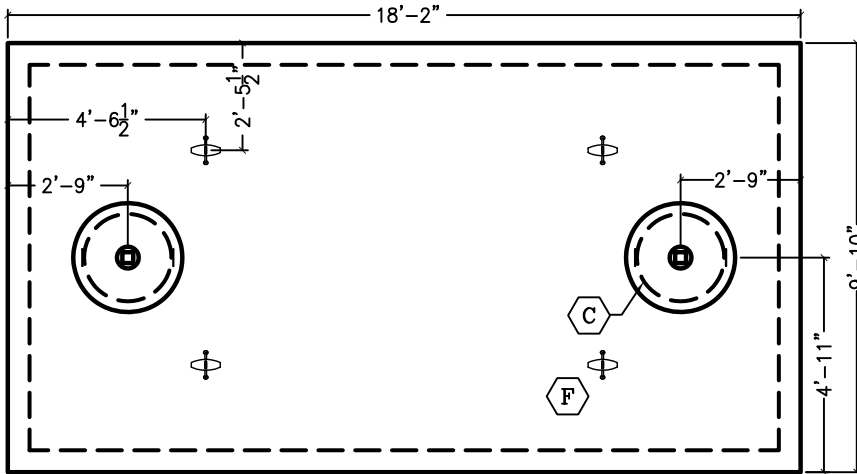
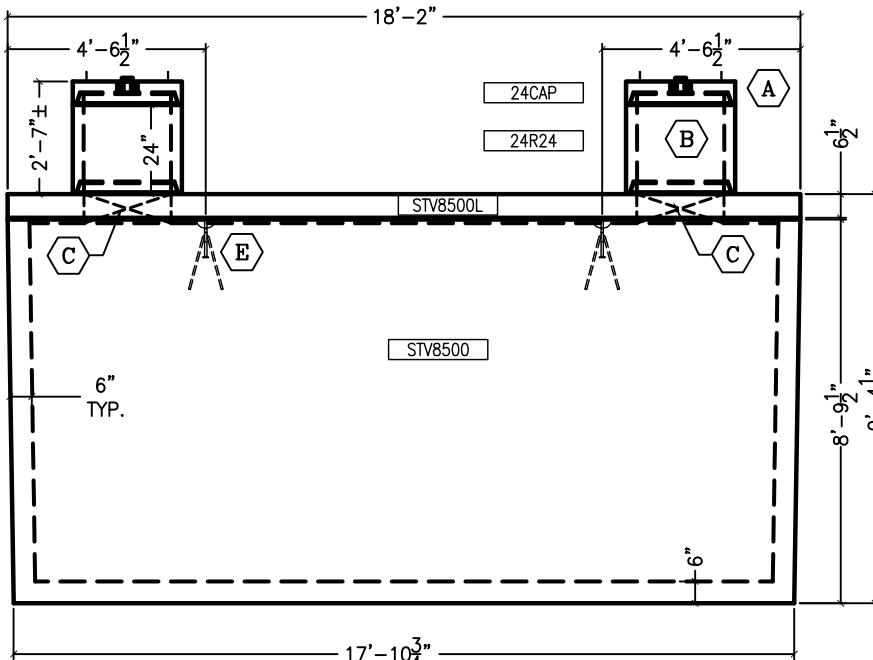


PART NO.	DESCRIPTION	QTY.
ANCHU4	4-TON UTILITY ANCHOR #6UA444	4
ERECTP92F6	6 TON P-92-E FORGED ERECTION ANCHOR	4
6PVCFE	6" PVC FEMALE ADAPTOR	2
6PVCTP	6" THREADED PLUG	2
LIFTWRL18	1/8"X6 1/2" GALV WIRE ROPE LIFTER	4

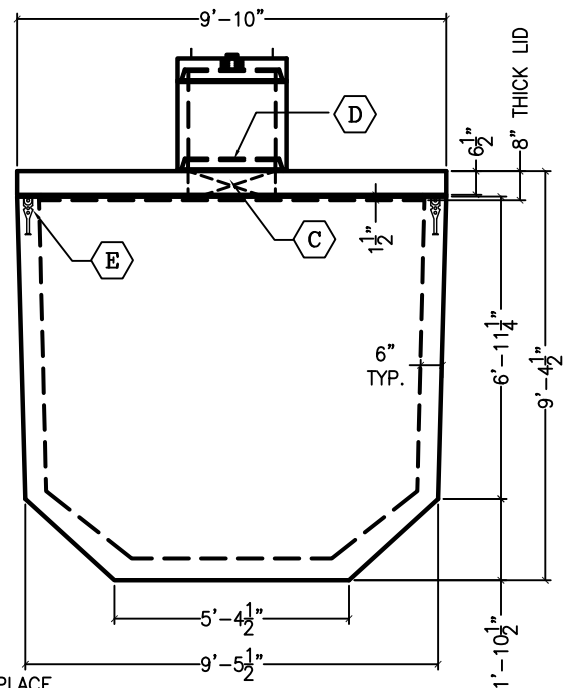


TOP VIEW

- A** 6" H CAP LID WITH 6" PVC SCREW ON FILLER CAP
- B** 24" Ø RISER MATERIAL, HEIGHT AS REQUIRED
- C** 24" Ø BLOCKOUT IN VAULT LID
- D** OPTIONAL HEADER CAST ONTO TOP OF LID FOR 24" RISER
- E** P-92-F FLEET LIFT FORGED ERECTION ANCHOR WITH TENSION BAR CAST INTO TOP OF WALL
- F** 4-TON UTILITY ANCHOR #6UA444 CAST INTO TOP OF LID



SIDE VIEW



END VIEW

ACTUAL CAPACITY:
 FULL: 8,745 GALLONS
 1' HEAD: 7,615 GALLONS

WEIGHT/CONCRETE		
LID	16,729 LBS	4.13 CY
VAULT	42,786 LBS	10.56 CY
TOTAL	59,516 LBS	14.70 CY

NOTES:
 VAULT TO HAVE FLOW FILL MATERIAL PLACE UNDER TAPERED SECTION OF WALLS MIN 1' UP THE SIDE OF THE TANK.

DESIGN PROPERTIES:
 CONCRETE STRENGTH= 4,000 PSI
 CONCRETE WEIGHT= 150PCF NORMAL WT
 STEEL STRENGTH= 60,000 PSI

DESIGN LOADS:
 AASHTO HS-10 FOR LIGHT TRAFFIC, MAX.
 COVER 3" ON TOP OF LID.

NOTES:
 CISTERNS ARE MADE TO ORDER. THEREFORE, AT THE TIME OF ORDERING, PIPE SIZES AND LOCATIONS MUST BE SPECIFIED FOR LOCATING GASKETS AND/OR BLOCKOUTS

04/23/12

COLORADO PRECAST CONCRETE, Inc.

1820 E. HIGHWAY 402, LOVELAND, CO 80537
 (970) 669-0535 FAX (970) 669-0674
 www.coloprecast.com



ITEM NAME:

8,500 GALLON STORAGE VAULT