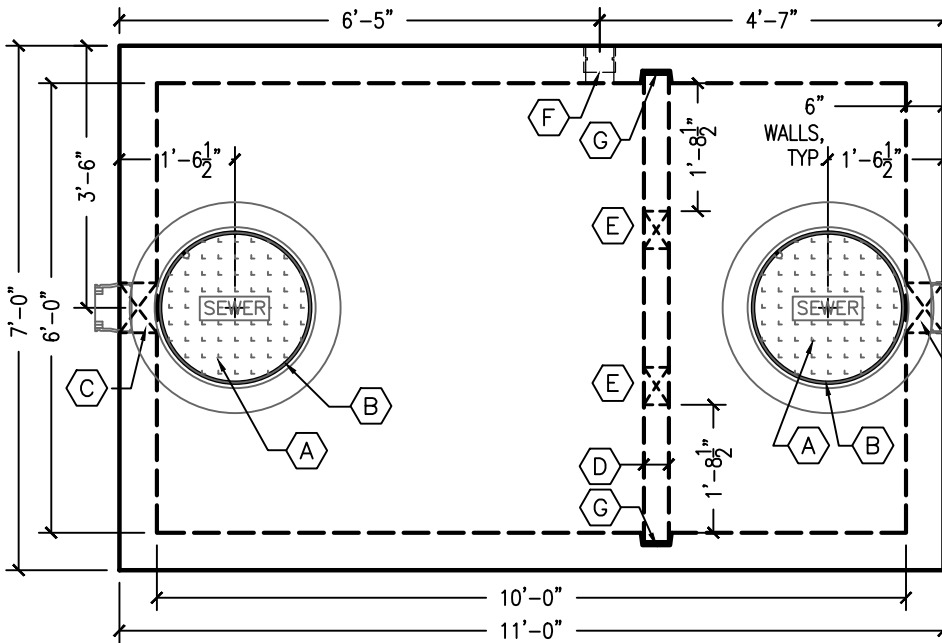
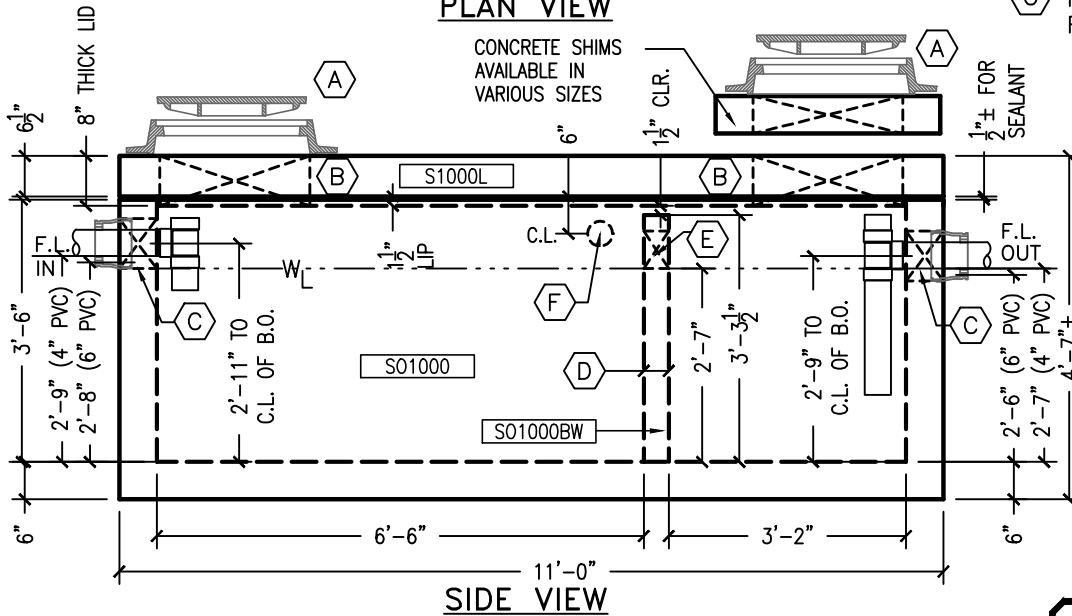


	4" PVC	6" PVC
ACTUAL CAPACITY	1197 GAL	1153 GAL

PART NO.	DESCRIPTION	QTY.
KOR02	KOR-N-SEAL S106-8SWP (4.2-5.5-6.4)	2
4PVC40C	4" SCH 40 COUPLING	1
RUB15ROLL	1 1/2" BUTYL MASTIC SEALANT ROLL	3
ANCHU4	4-TON UTILITY ANCHOR #6UA444	8
LIFTWRLL14	1/4"x8 1/2" GALV. WIRE ROPE LIFT	2
CIA1043RC	D&L A-1043 RING	2
CIA1161CSSAS	D&L A-1161 COVER STAMPED "SEWER"	2



PLAN VIEW



SIDE VIEW

PRODUCTION	ISSUED
PLANT SUPER	
REBAR	
WELDING	
BLDG 2	
BLDG 3	
BLDG 4	
EAST PAD	
QC	
FORKLIFT	
DISPATCH	
CM	
DATE:	

- (A) D&L A-1043 24"Ø CAST IRON RING & A-1161 COVER STAMPED "SEWER"
- (B) 24"Ø BLOCKOUT IN LID
- (C) 8"Ø B/O FOR KOR-N-SEAL S106-8SWP (4.2"-6.4" OD) FOR 4" OR 6" PVC
- (D) 4" THICK BAFFLE WALL
- (E) 6"x6" BLOCKOUT
- (F) 4"Ø SCH 40 PVC COUPLING CAST INTO VAULT WALL, COUPLER TO OUTSIDE FACE
- (G) NOTCH FOR BAFFLE ON INSIDE FACE OF VAULT WALL

LOAD RATINGS:
AASHTO HS20-44 RATED TO
2'-6" MAX. BURY

DESIGN PROPERTIES:
CONCRETE STRENGTH: 7,000 PSI
CONCRETE WEIGHT: 150 PCF
STEEL STRENGTH: 60,000 PSI
(GRADE 60)

DESIGN MANUALS
ACI 318-08
AISC LRFD 13th EDITION
AASHTO 17th EDITION 2002

- SECONDARY COMPARTMENT HAS VOLUME EQUAL TO APPROXIMATELY 1/3 OF THE TOTAL CAPACITY.
- (2) S106-8SWP KOR-N-SEAL BOOTS FURNISHED BY COLORADO PRECAST CONCRETE (C.P.C.).
- JOINT BETWEEN LID AND VAULT TO BE SEALED WITH 1 ROW 1-1/2" BUTYL MASTIC SEALANT PROVIDED BY C.P.C.
- BAFFLE WALL TO BE A SEPARATE POUR AND INSTALLED BY C.P.C. BEFORE DELIVERY.
- ALL PIPES AND FITTINGS TO BE PROVIDED BY OTHERS

	WEIGHT/CONCRETE	
LID	6,728 LBS	1.66 CY
BAFFLE	1,029 LBS	0.25 CY
VAULT	14,631 LBS	3.61 CY
TOTAL	22,387 LBS	5.53 CY

NOTE:
IT IS THE RESPONSIBILITY OF THE CONTRACTOR TO VERIFY ALL DIMENSIONS AND SPECIFICATIONS

APPROVED BY _____ DATE _____

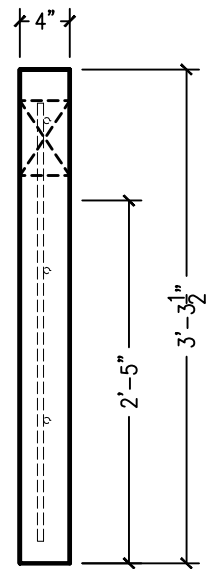
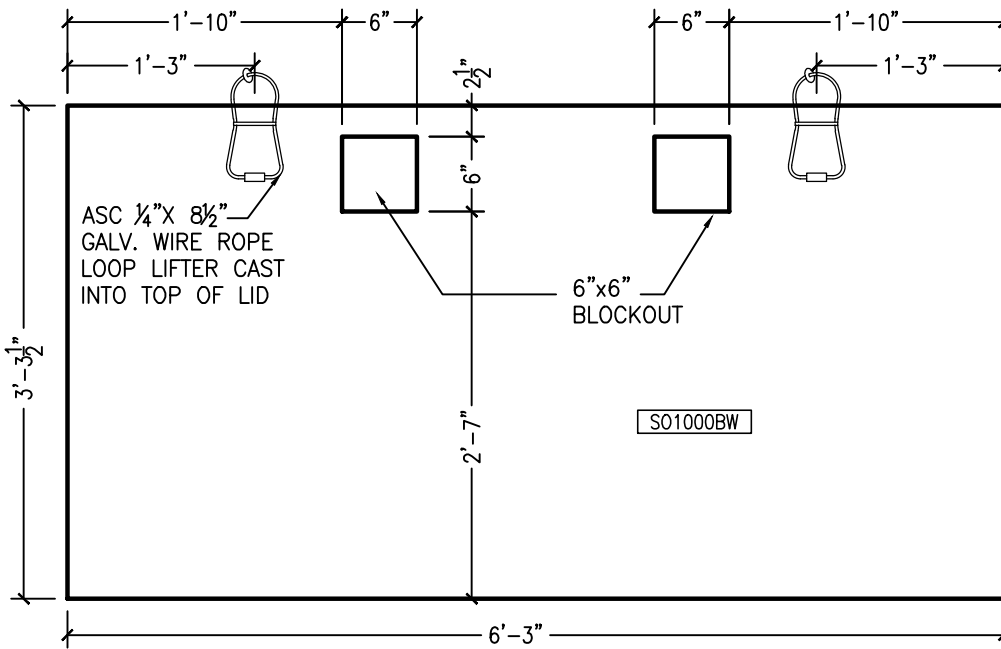
P:\cpcdrafting\CATALOG-DRAWINGS\SAND & OIL INTERCEPTORS\SO 1000 12/16/2011 4:12 PM

COLORADO PRECAST CONCRETE, Inc.
1820 E. HIGHWAY 402, LOVELAND, CO 80537
(970) 669-0535 FAX (970) 669-0674
www.coloprecast.com



ITEM NAME:

1,000 GALLON SAND OIL INTERCEPTOR



SECTION

BAFFLE IS Poured SEPARATELY AND PLACED IN VAULT PRIOR TO DELIVERY

REINFORCEMENT:
#4 REBAR @ 12"
O.C.E.W., CENTERED

WEIGHT/CONCRETE:
1,029 LBS/0.25 CY

	FLOOR/WALLS		LID		BAFFLE	
	DATE	QC	DATE	QC	DATE	QC
POUR DATE						
SCHEDULED DATE						
REINFORCEMENT						
MIX#						
LIFTS						
BLOCKOUTS						
GASKETS						
FORM OIL						
DIMENSIONS						
STEPS						
BLOCKOUTS						
GASKETS						
DIMENSIONS						
STEPS						
LIFTS						
BLOCKOUTS						
GASKETS						
COATING						
DIMENSIONS						

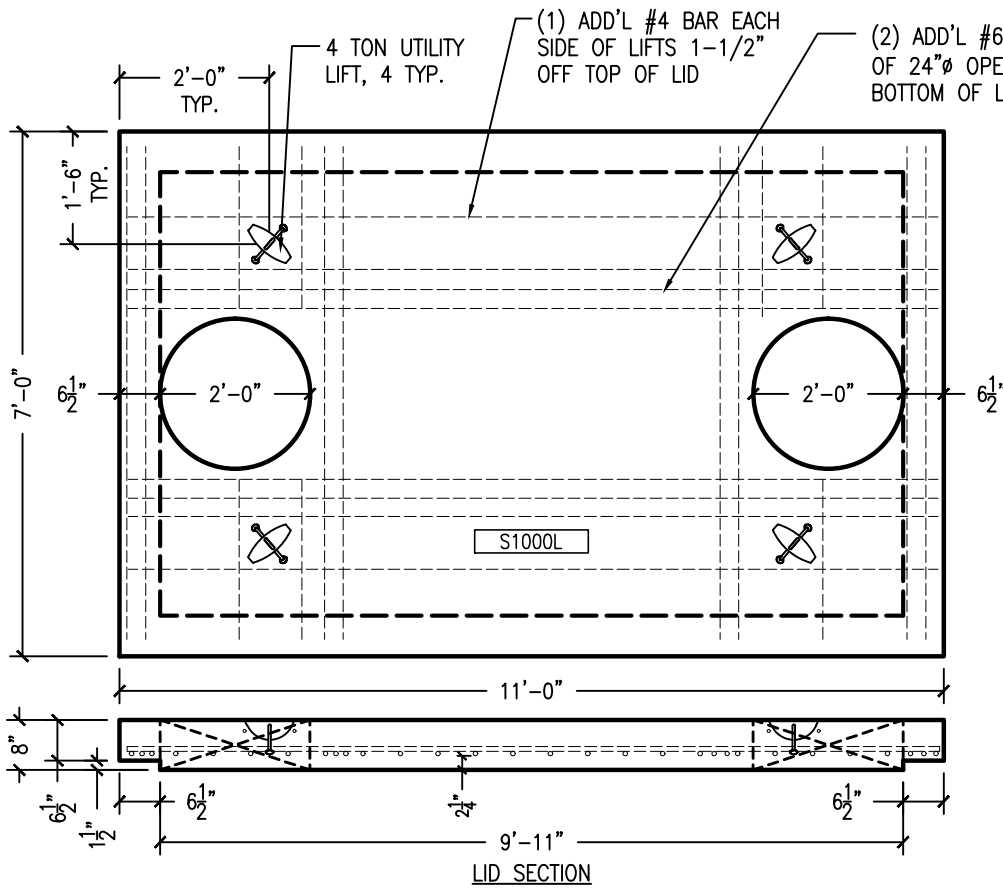
P:\cpcdrafting\CATALOG-DRAWINGS\SAND & OIL INTERCEPTORS\SO 1000 12/16/2011 4:12 PM

COLORADO PRECAST CONCRETE, Inc.
1820 E. HIGHWAY 402, LOVELAND, CO 80537
(970) 669-0535 FAX (970) 669-0674
www.coloprecast.com



ITEM NAME:

1,000 GALLON SAND OIL INTERCEPTOR



LID SECTION
LID DETAILS

REINFORCEMENT:

LID:
SHORT BARS: #6 REBAR @ 6" O.C., 2-1/4" OFF BOTTOM. LONG BARS: #4 REBAR @ 12" O.C. ON TOP OF SHORT BARS
(2) ADD'L #6 REBAR EACH SIDE OF ACCESS HOLES

WALLS:

VERTICAL:
#4 U-BAR AT 12" O.C., 1-1/2" OFF INSIDE OF WALL

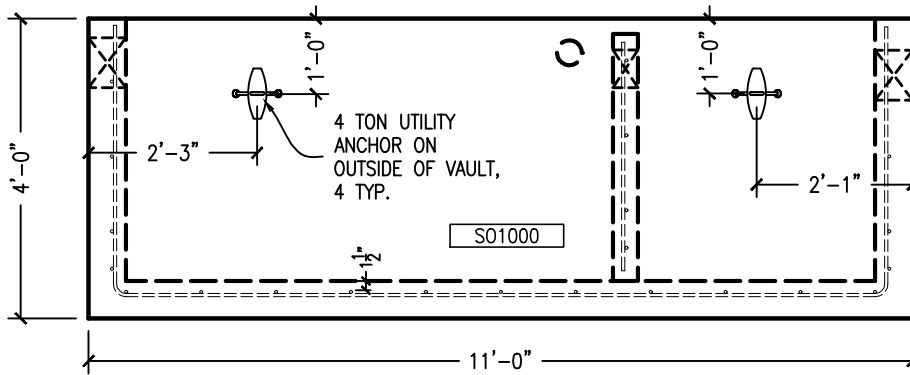
HORIZONTAL:
#4 U-BAR @ 12" O.C., OUTSIDE OF VERTICAL BAR

FLOOR:

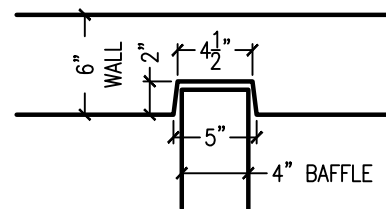
#4 U-BAR AT 12" O.C.E.W, SHORT BARS @ 1-1/2" OFF TOP OF FLOOR, LONG BARS BELOW SHORT BARS
U-BARS EXTEND INTO WALLS

BAFFLE:

#4 REBAR @ 12" O.C.E.W., CENTERED



VAULT LIFT LOCATION



NOTCH DETAIL

P:\cpcdrafting\CATALOG-DRAWINGS\SAND & OIL INTERCEPTORS\SO 1000 12/16/2011 4:13 PM

COLORADO PRECAST CONCRETE, Inc.
1820 E. HIGHWAY 402, LOVELAND, CO 80537
(970) 669-0535 FAX (970) 669-0674
www.coloprecast.com



ITEM NAME:

1,000 GALLON SAND OIL INTERCEPTOR