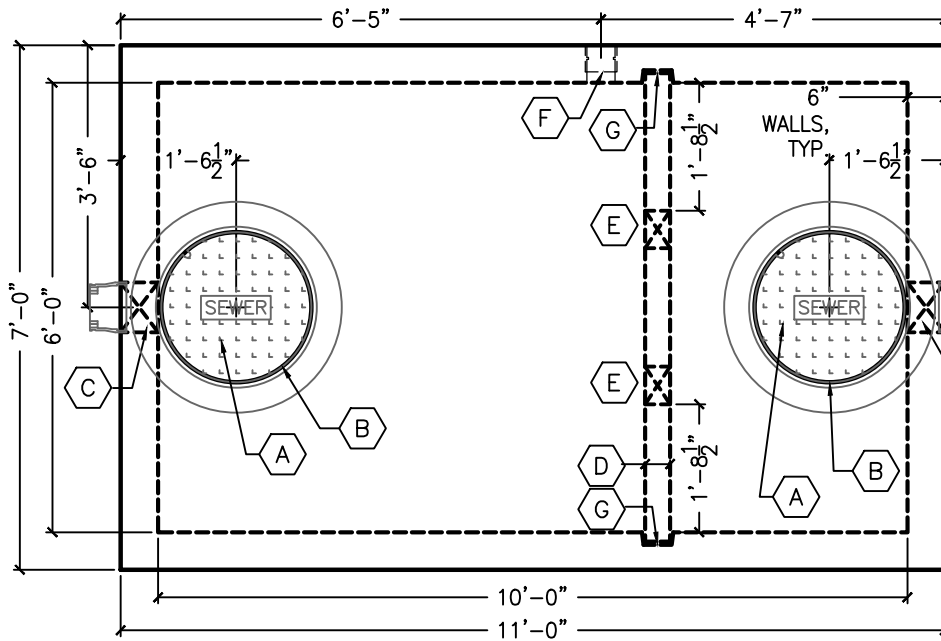
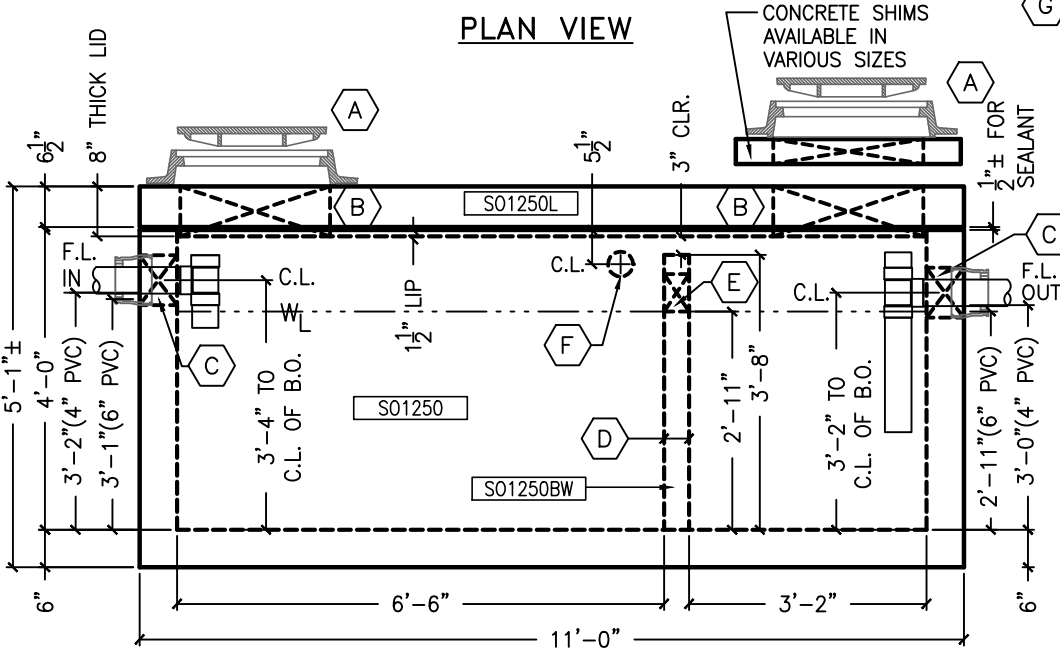


	4" PVC	6" PVC
ACTUAL CAPACITY	1302 GAL	1265 GAL

PART NO.	DESCRIPTION	QTY.
KOR02	KOR-N-SEAL S106-8SWP (4.2-5.5-6.4)	2
4PVC40C	4" SCH 40 COUPLING	1
RUB15ROLL	1 1/2" BUTYL MASTIC SEALANT ROLL	3
ANCHU4	4-TON UTILITY ANCHOR #6UA444	8
LIFTWRLL14	1/4"x8 1/2" GALV. WIRE ROPE LIFT	2
CIA1043RC	D&L A-1043 RING	2
CIA1161CSSAS	D&L A-1161 COVER STAMPED "SEWER"	2



PLAN VIEW



SIDE VIEW

1. SECONDARY COMPARTMENT HAS VOLUME EQUAL TO APPROXIMATELY 1/3 OF THE TOTAL CAPACITY.
2. (2) S106-8SWP KOR-N-SEAL BOOTS FURNISHED BY COLORADO PRECAST CONCRETE (C.P.C.).
3. JOINT BETWEEN LID AND VAULT TO BE SEALED WITH 1 ROW 1-1/2" BUTYL MASTIC SEALANT PROVIDED BY C.P.C.
4. BAFFLE WALL TO BE A SEPARATE POUR AND INSTALLED BY C.P.C. BEFORE DELIVERY.
5. ALL PIPES AND FITTINGS TO BE PROVIDED BY OTHERS

12/16/11

WEIGHT/CONCRETE

LID	6,723 LBS	1.66 CY
BAFFLE	1,134 LBS	0.28 CY
VAULT	15,876 LBS	3.92 CY
TOTAL	23,733 LBS	5.86 CY

NOTE:
IT IS THE RESPONSIBILITY OF THE CONTRACTOR TO VERIFY ALL DIMENSIONS AND SPECIFICATIONS

APPROVED BY _____ DATE _____

PRODUCTION	ISSUED
PLANT SUPER	
REBAR	
WELDING	
BLDG 2	
BLDG 3	
BLDG 4	
EAST PAD	
DISPATCH	
CM	
DATE:	

- A D&L A-1043 24"Ø CAST IRON RING & A-1161 COVER STAMPED "SEWER"
- B 24"Ø BLOCKOUT IN LID
- C 8"Ø B/O FOR KOR-N-SEAL GASKET FOR 4" OR 6" PVC
- D 4" THICK BAFFLE WALL
- E 6"x6" BLOCKOUT
- F 4"Ø SCH 40 PVC COUPLING CAST INTO VAULT WALL, COUPLER TO OUTSIDE FACE
- G NOTCH ON INSIDE FACE OF VAULT WALL FOR BAFFLE

LOAD RATINGS:
AASHTO HS20-44 RATED TO 2'-6" MAX. BURY

DESIGN PROPERTIES:
CONCRETE STRENGTH: 7,000 PSI
CONCRETE WEIGHT: 150 PCF
STEEL STRENGTH: 60,000 PSI (GRADE 60)

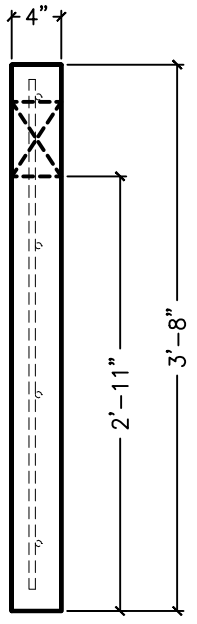
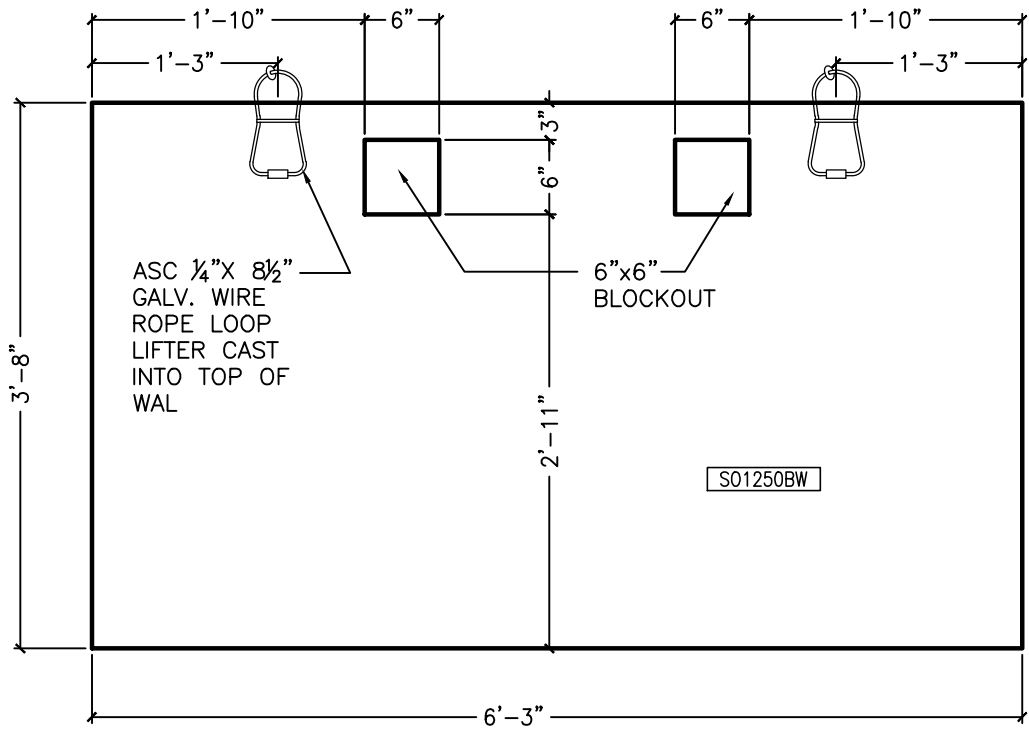
DESIGN MANUALS
ACI 318-08
AISC LRFD 13th EDITION
AASHTO 17th EDITION 2002

COLORADO PRECAST CONCRETE, Inc.
1820 E. HIGHWAY 402, LOVELAND, CO 80537
(970) 669-0535 FAX (970) 669-0674
www.coloprecast.com



ITEM NAME:

1250 GALLON SAND & OIL INTERCEPTOR



SECTION

BAFFLE IS Poured SEPARATELY AND PLACED IN VAULT PRIOR TO DELIVERY

REINFORCEMENT:
#4 REBAR @ 12"
O.C.E.W., CENTERED

WEIGHT/CONCRETE:
1,147 LBS/0.28 CY

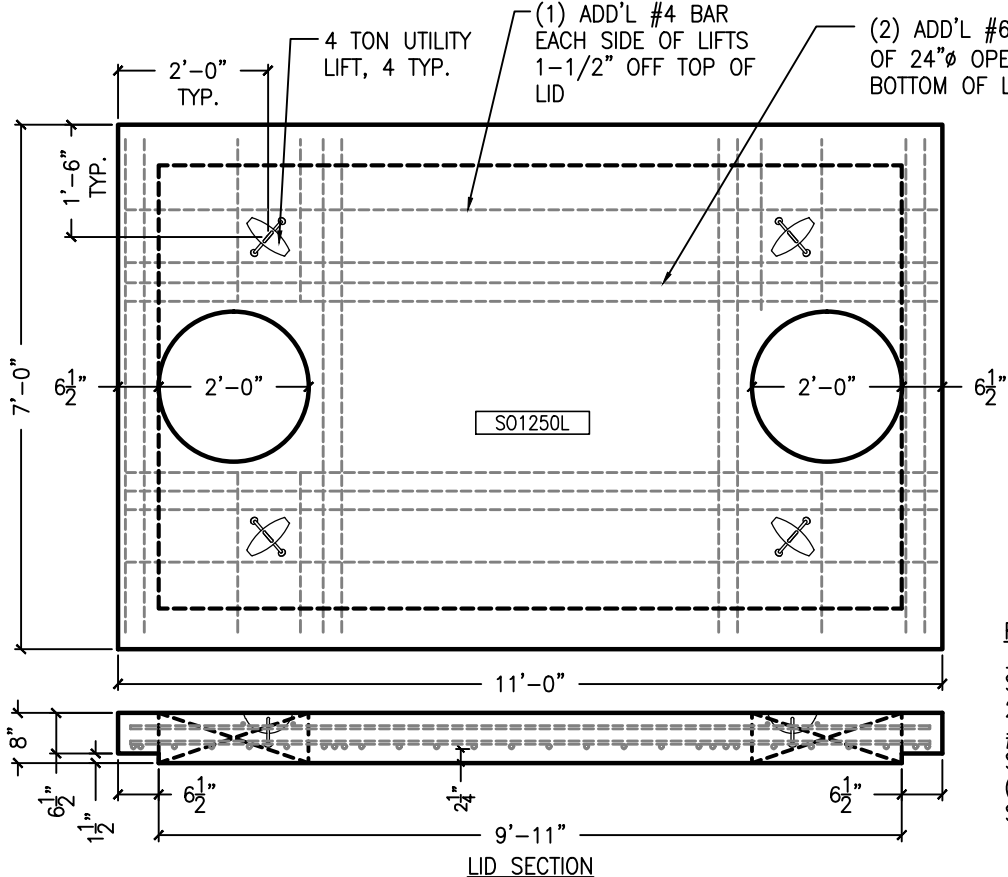
	ITEM NAME	FLOOR/WALLS		LID		BAFFLE	
		DATE	QC	DATE	QC	DATE	QC
PRE POUR	POUR DATE						
	SCHEDULED DATE						
	REINFORCEMENT						
	MIX#						
	LIFTS						
	BLOCKOUTS						
	GASKETS						
POST POUR	FORM OIL						
	DIMENSIONS						
	STEPS						
	BLOCKOUTS						
FINAL	GASKETS						
	DIMENSIONS						
	STEPS						
	LIFTS						
	BLOCKOUTS						
GASKETS							
COATING							
DIMENSIONS							

05/24/10

COLORADO PRECAST CONCRETE, Inc.
1820 E. HIGHWAY 402, LOVELAND, CO 80537
(970) 669-0535 FAX (970) 669-0674
www.coloprecast.com

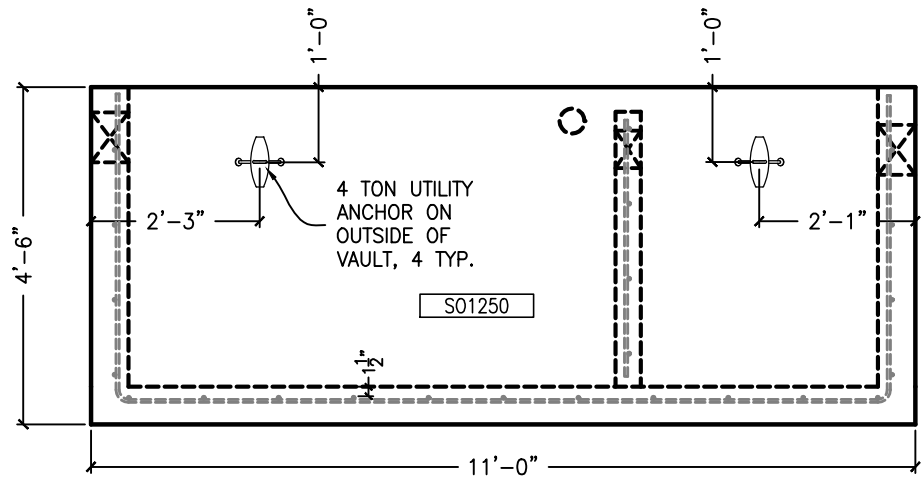


ITEM NAME:
1250 GALLON SAND & OIL INTERCEPTOR
BAFFLE DETAILS



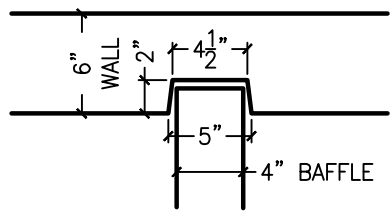
REINFORCEMENT:
LID:
 SHORT BARS: #6 REBAR @ 6" O.C., 2-1/4" OFF BOTTOM. LONG BARS: #4 REBAR @ 12" O.C. ON TOP OF SHORT BARS
 (2) ADD'L #6 REBAR EACH SIDE OF ACCESS HOLES

LID SECTION
LID DETAILS



WALLS:
VERTICAL:
 #4 U-BAR AT 12" O.C., 1-1/2" OFF INSIDE OF WALL
HORIZONTAL:
 #4 U-BAR @ 12" O.C., OUTSIDE OF VERTICAL BAR
BAFFLE:
 #4 REBAR @ 12" O.C.E.W., CENTERED
FLOOR:
 #4 U-BAR AT 12" O.C.E.W., SHORT BARS @ 1-1/2" OFF TOP OF FLOOR, LONG BARS BELOW SHORT BARS
 U-BARS EXTEND INTO WALLS

VAULT LIFT LOCATION



NOTCH DETAIL

05/24/10

COLORADO PRECAST CONCRETE, Inc.
 1820 E. HIGHWAY 402, LOVELAND, CO 80537
 (970) 669-0535 FAX (970) 669-0674
 www.coloprecast.com



ITEM NAME:
1250 GALLON SAND & OIL INTERCEPTOR
DETAILS