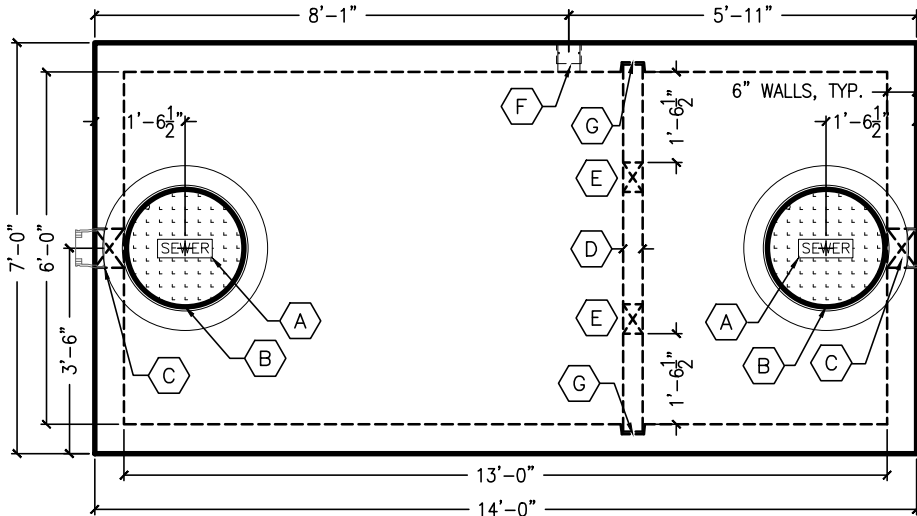


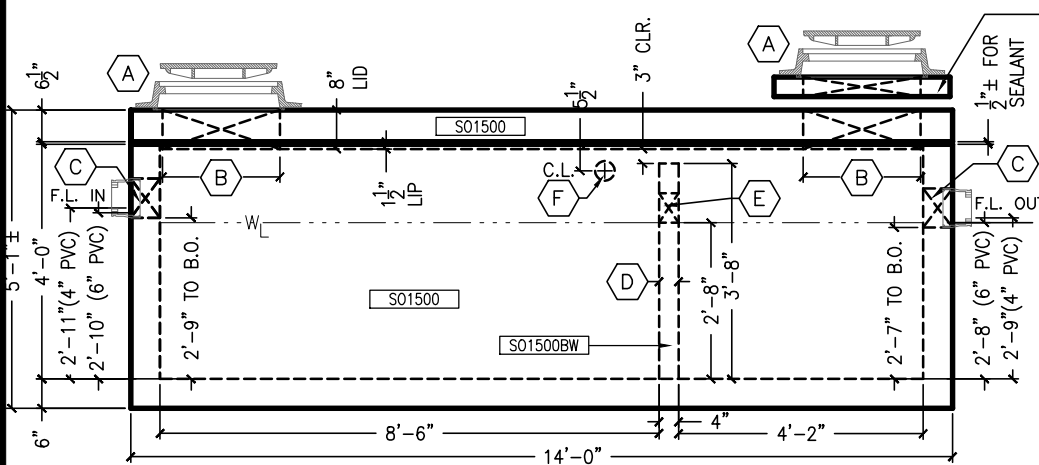
	4" PVC	6" PVC
ACTUAL CAPACITY	1563 GAL	1516 GAL

PART NO.	DESCRIPTION	QTY.
KOR02	KOR-N-SEAL S106-8SWP (4.2-5.5-6.4)	2
4PVC40C	4" SCH 40 COUPLING	1
RUB15ROLL	1 1/2" BUTYL MASTIC SEALANT ROLL	3
ANCHU4	4-TON UTILITY ANCHOR #6UA444	8
LIFTWRL14	1/4"x8 1/2" GALV. WIRE ROPE LIFT	2
CIA1043RC	D&L A-1043 RING	2
CIA1161CSSAS	D&L A-1161 COVER STAMPED "SEWER"	2



PLAN VIEW

- (A) D&L A-1043 24"Ø CAST IRON RING & A-1161 COVER STAMPED "SEWER"
- (B) 24"Ø BLOCKOUT IN LID
- (C) 8"Ø B/O FOR S106-8SWP (4.2"-6.4" OD) KOR-N-SEAL BOOT FOR 4" OR 6" PVC
- (D) 4" THICK BAFFLE WALL
- (E) 6"x6" BLOCKOUT IN BAFFLE
- (F) 4" SCH 40 PVC COUPLER CAST INTO VAULT WALL
- (G) NOTCH IN INSIDE FACE OF VAULT FOR BAFFLE



SIDE VIEW

CONCRETE SHIMS AVAILABLE IN VARIOUS SIZES

LOAD RATINGS:  
AASHTO HS20-44 RATED TO 2'-6" MAX. BURY.

DESIGN PROPERTIES:  
CONCRETE STRENGTH:7,000 PSI  
CONCRETE WEIGHT:150 PCF  
STEEL STRENGTH:60,000 PSI  
(GRADE 60)

DESIGN MANUALS  
ACI 318-08  
AISC LRFD 13th EDITION  
AASHTO 17th EDITION 2002

- SECONDARY COMPARTMENT HAS VOLUME EQUAL TO APPROXIMATELY 1/3 OF TOTAL CAPACITY.
- (2) S106-8SWP KOR-N-SEAL BOOTS FURNISHED BY COLORADO PRECAST CONCRETE (C.P.C.).
- JOINT BETWEEN LID AND VAULT TO BE SEALED WITH 1 ROW 1-1/2" BUTYL MASTIC SEALANT PROVIDED BY C.P.C.
- BAFFLE WALL TO BE A SEPARATE POUR AND INSTALLED BY C.P.C. BEFORE DELIVERY.

	WEIGHT/CONCRETE	
LID	8,789 LBS	2.17 CY
BAFFLE	1,134 LBS	0.28 CY
VAULT	19,238 LBS	4.75 CY
TOTAL	29,160 LBS	7.20 CY

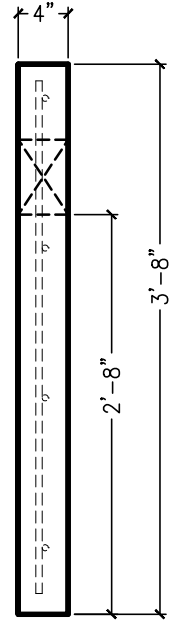
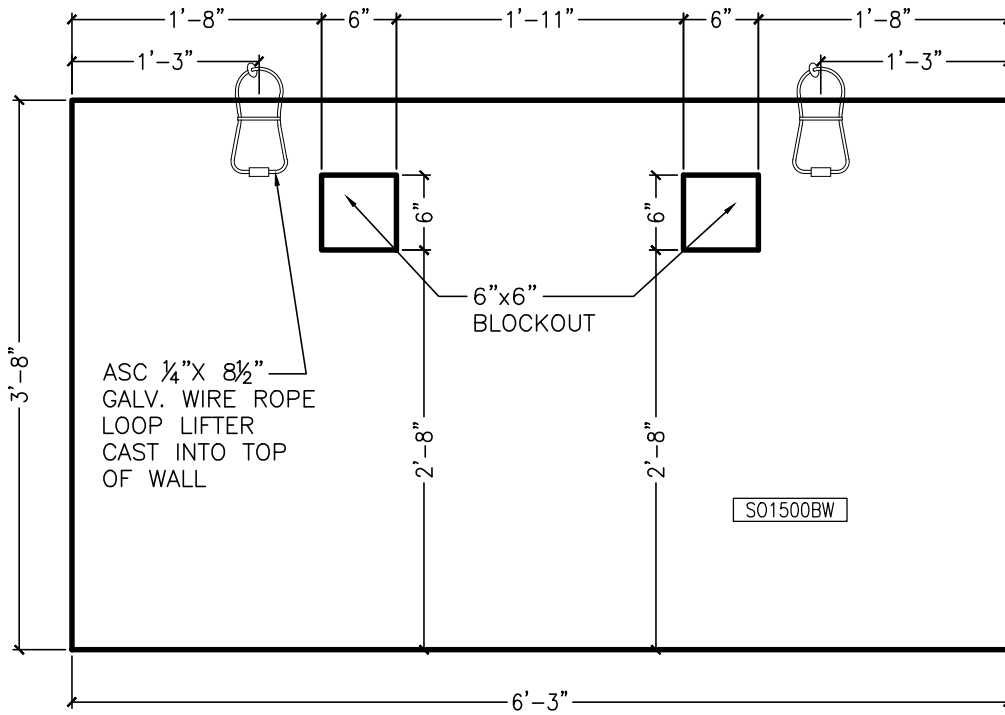
12/16/11

COLORADO PRECAST CONCRETE, Inc.  
1820 E. HIGHWAY 402, LOVELAND, CO 80537  
(970) 669-0535 FAX (970) 669-0674  
www.coloprecast.com



ITEM NAME:

1500 GALLON SAND AND OIL INTERCEPTOR



SIDE VIEW

BAFFLE IS POURED SEPARATELY  
AND PLACED IN VAULT PRIOR  
TO DELIVERY

REINFORCEMENT:  
#4 REBAR @ 12" O.C.E.W.,  
CENTERED

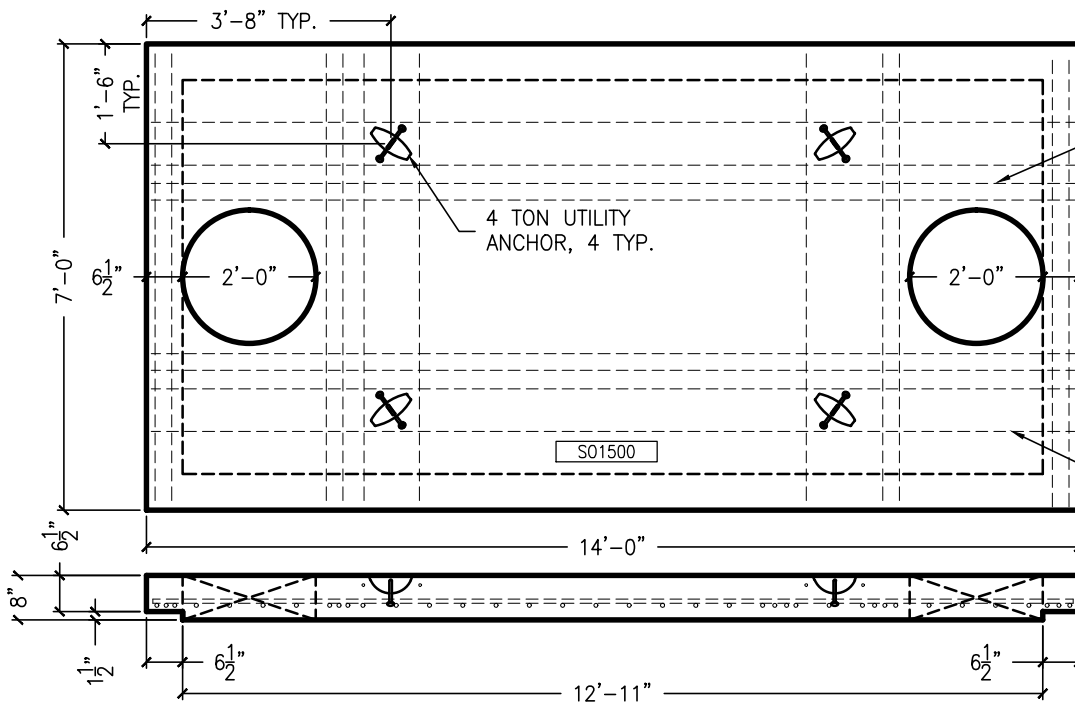
WEIGHT/CONCRETE:  
1,137 LBS/0.28 CY

05/24/10

COLORADO PRECAST CONCRETE, Inc.  
1820 E. HIGHWAY 402, LOVELAND, CO 80537  
(970) 669-0535 FAX (970) 669-0674  
www.coloprecast.com



ITEM NAME:  
**1500 GALLON SAND AND OIL INTERCEPTOR  
BAFFLE DETAILS**



LID SECTION  
LID DETAILS

(2) ADD'L #6 REBAR AROUND 24" Ø ACCESS HOLES ON BOTTOM MAT

(1) ADD'L #6 REBAR EA SIDE OF LIFT 1 1/2" OFF TOP OF LID

**REINFORCEMENT:**

**LID:**  
SHORT BARS: #6 REBAR @ 6" O.C., 2-1/4" OFF BOTTOM. LONG BARS: #4 REBAR @ 12" O.C. ON TOP OF SHORT BARS  
(2) ADD'L #6 REBAR EACH SIDE OF ACCESS HOLES

**WALLS:**

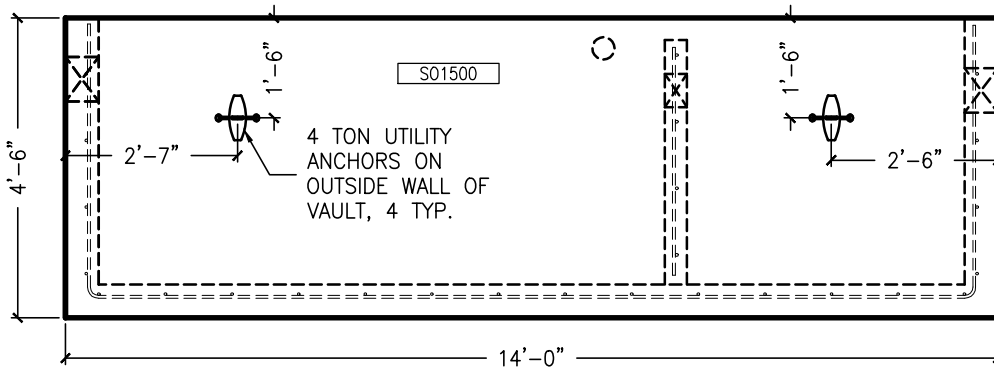
**VERTICAL:**  
#4 U-BAR AT 12" O.C., 1-1/2" OFF INSIDE OF WALL  
**HORIZONTAL:**  
#4 U-BAR @ 12" O.C., OUTSIDE OF VERTICAL BAR

**BAFFLE:**

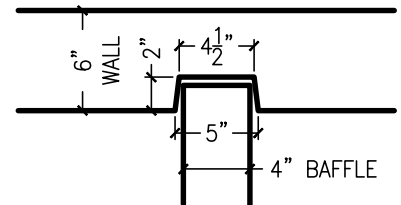
#4 REBAR @ 12" O.C.E.W., CENTERED

**FLOOR:**

#4 U-BAR AT 12" O.C.E.W., SHORT BARS @ 1-1/2" OFF TOP OF FLOOR, LONG BARS BELOW SHORT BARS  
U-BARS EXTEND INTO WALLS



VAULT LIFT DETAIL



NOTCH DETAIL

05/24/10

COLORADO PRECAST CONCRETE, Inc.  
1820 E. HIGHWAY 402, LOVELAND, CO 80537  
(970) 669-0535 FAX (970) 669-0674  
www.coloprecast.com



ITEM NAME:

1500 GALLON SAND AND OIL INTERCEPTOR  
BAFFLE DETAILS