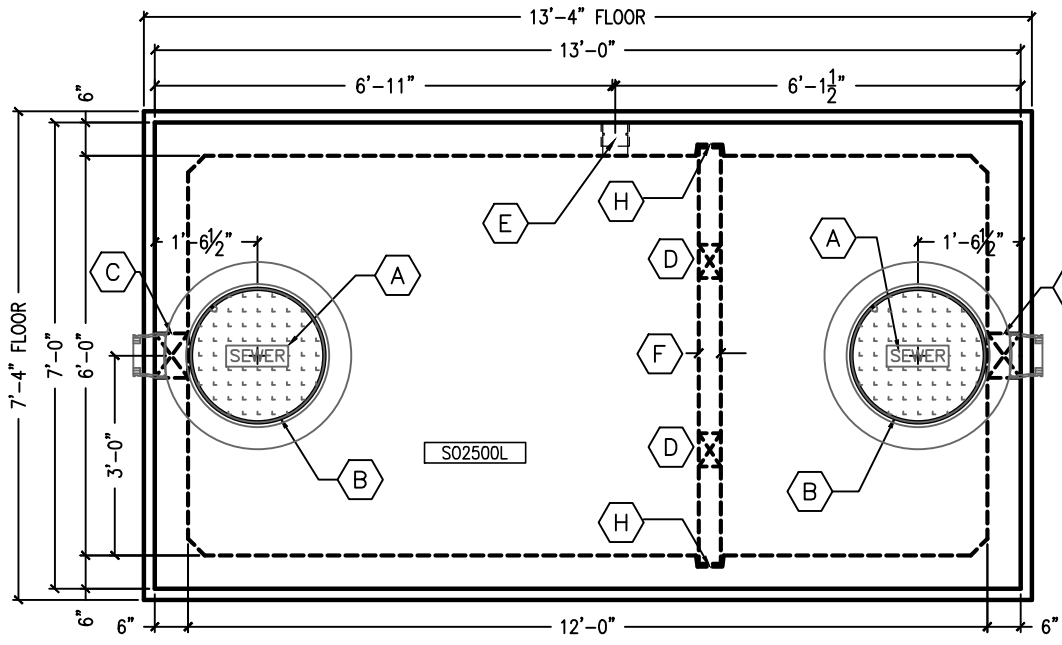


PART NO.	DESCRIPTION	QTY.
KOR02	KOR-N-SEAL S106-8SWP (4.2-5.5-6.4)	2
4PVC40C	4" SCH 40 COUPLING	1
RUB15ROLL	1 1/2" BUTYL MASTIC SEALANT ROLL	4
ANCHU4	4-TON UTILITY ANCHOR #6UA444	8
CIA1043RC	D&L A-1043 RING	2
CIA1161CSSAS	D&L A-1161 COVER STAMPED "SEWER"	2
RUBSF302853	SYKOFLEX WATER STOP x 3' ROLL	13
LIFTWRL14	1/4"x8 1/2" GALV. WIRE ROPE LIFT	2

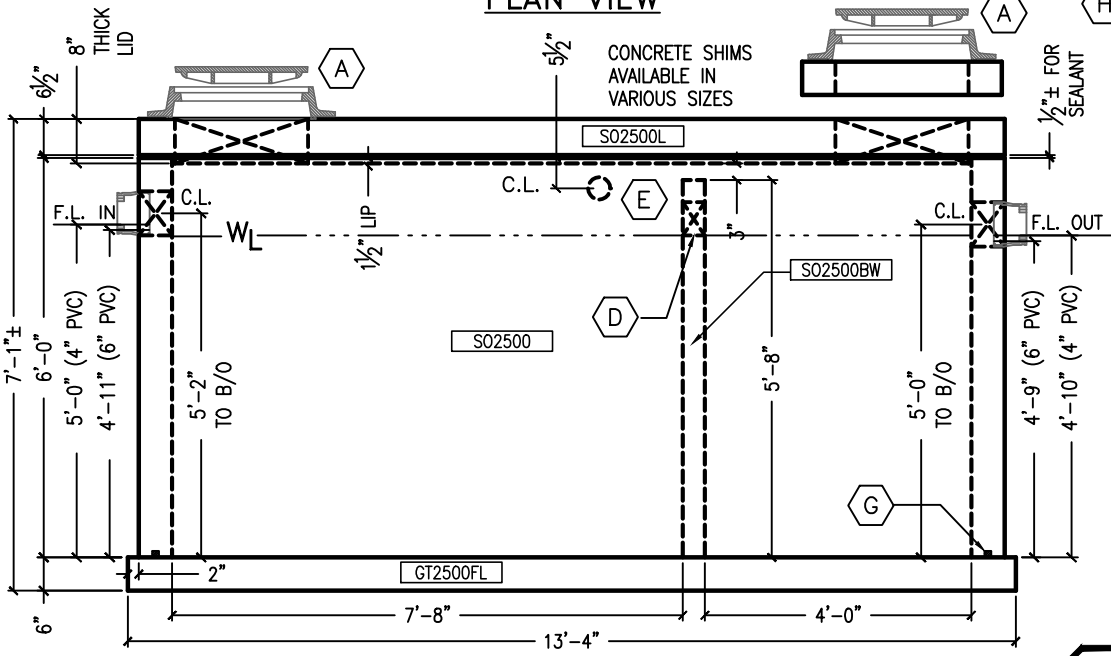
PRODUCTION	ISSUED
PLANT SUPER	
REBAR	
WELDING	
BLDG 2	
BLDG 3	
BLDG 4	
EAST PAD	
QC	
FORKLIFT	
DISPATCH	
CM	
DATE:	

	4" PVC	6" PVC
ACTUAL CAPACITY	2522 GAL	2478 GAL



PLAN VIEW

- A D&L A-1043 24"Ø CAST IRON RING & A-1161 COVER STAMPED "SEWER"
- B 24"Ø BLOCKOUT IN LID
- C 8"Ø B/O FOR S106-8SWP KOR-N-SEAL (4.2"-6.4" OD) GASKET FOR 4" OR 6" PVC
- D 6"x6" BLOCKOUT IN BAFFLE WALL
- E 4"Ø SCH 40 PVC COUPLING CAST INTO VAULT WALL, COUPLER TO OUTSIDE FACE
- F 4" THICK BAFFLE WALL
- G SYNKO-FLEX WATERSTOP AROUND PERIMETER OF FLOOR
- H NOTCH ON INSIDE FACE OF VAULT WALL FOR BAFFLE



GREASE INTERCEPTOR MEETS ASTM C 1613 06 SPECIFICATIONS

LOAD RATINGS:
AASHTO HS20-44 RATED WITH UP TO 2'-6" SOIL COVER

DESIGN PROPERTIES:
CONCRETE STRENGTH: 7,000 PSI
CONCRETE WEIGHT: 150 PCF
STEEL STRENGTH: 60,000 PSI (GRADE 60)

DESIGN MANUALS
ACI 318-08
AISC LRFD 13th EDITION
AASHTO 17th EDITION 2002

- SECONDARY COMPARTMENT HAS A VOLUME EQUAL TO APPROXIMATELY 1/3 OF TOTAL CAPACITY.
- (2) S106-8SWP KOR-N-SEAL BOOTS FURNISHED BY C.P.C.
- JOINT BETWEEN LID AND VAULT TO BE SEALED WITH 1 ROW OF 1-1/2" BUTYL MASTIC SEALANT PROVIDED BY C.P.C.
- BAFFLE WALL TO BE A SEPARATE POUR AND INSTALLED BY C.P.C. PRIOR TO DELIVERY.
- ALL PIPES AND FITTINGS TO BE PROVIDED BY OTHERS

	WEIGHT/CONCRETE	
LID	8,113 LBS	2.00 CY
BAFFLE	1,771 LBS	0.44 CY
WALLS	17,094 LBS	4.22 CY
FLOOR	7,333 LBS	1.81 CY
VAULT TOTAL	26,198 LBS	6.47 CY
TOTAL	34,311 LBS	8.47 CY

NOTE:
IT IS THE RESPONSIBILITY OF THE CONTRACTOR TO VERIFY ALL DIMENSIONS AND SPECIFICATIONS

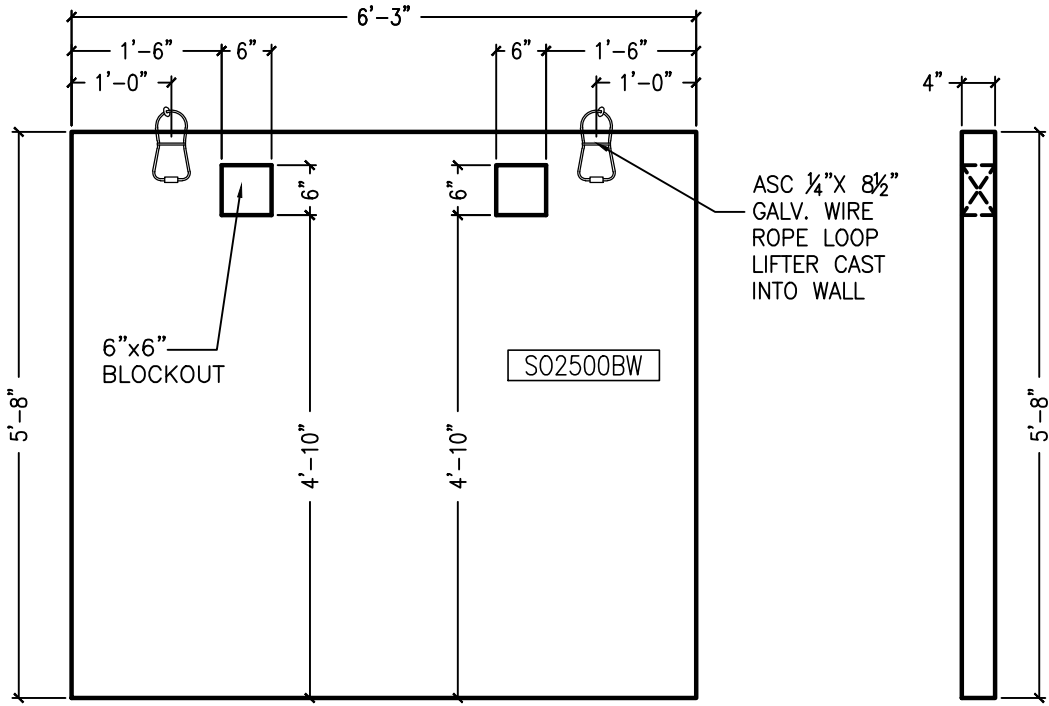
APPROVED BY _____ DATE _____

12/16/11

COLORADO PRECAST CONCRETE, Inc.
1820 E. HIGHWAY 402, LOVELAND, CO 80537
(970) 669-0535 FAX (970) 669-0674
www.coloprecast.com



ITEM NAME:
2500 GALLON SAND AND OIL INTERCEPTOR



SIDE VIEW

BAFFLE:
#4 REBAR @ 12" O.C.E.W., CENTERED IN
BAFFLE

BAFFLE IS CAST SEPARATELY FROM
THE VAULT

WEIGHT/CONCRETE
BAFFLE 1,771 LBS 0.44 CY

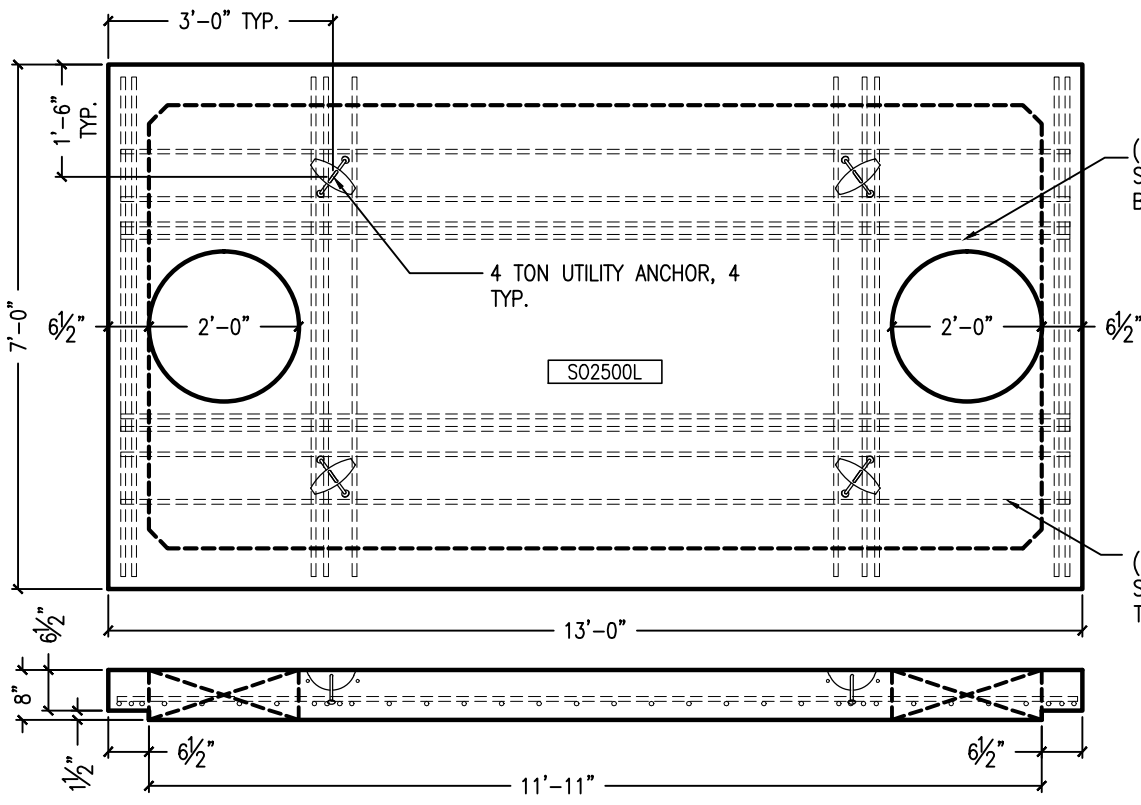
	FLOOR		WALLS		BAFFLE		LID	
	DATE	QC	DATE	QC	DATE	QC	DATE	QC
POUR DATE								
SCHEDULED DATE								
REINFORCEMENT								
MIX#								
LIFTS								
BLOCKOUTS								
GASKETS								
FORM OIL								
DIMENSIONS								
STEPS								
BLOCKOUTS								
GASKETS								
DIMENSIONS								
STEPS								
LIFTS								
BLOCKOUTS								
GASKETS								
COATING								
DIMENSIONS								
ANTICIP. SHIP DATE:								

05/24/10

COLORADO PRECAST CONCRETE, Inc.
1820 E. HIGHWAY 402, LOVELAND, CO 80537
(970) 669-0535 FAX (970) 669-0674
www.coloprecast.com



ITEM NAME:
**2500 GALLON SAND AND OIL INTERCEPTOR
BAFFLE**



LID DETAILS

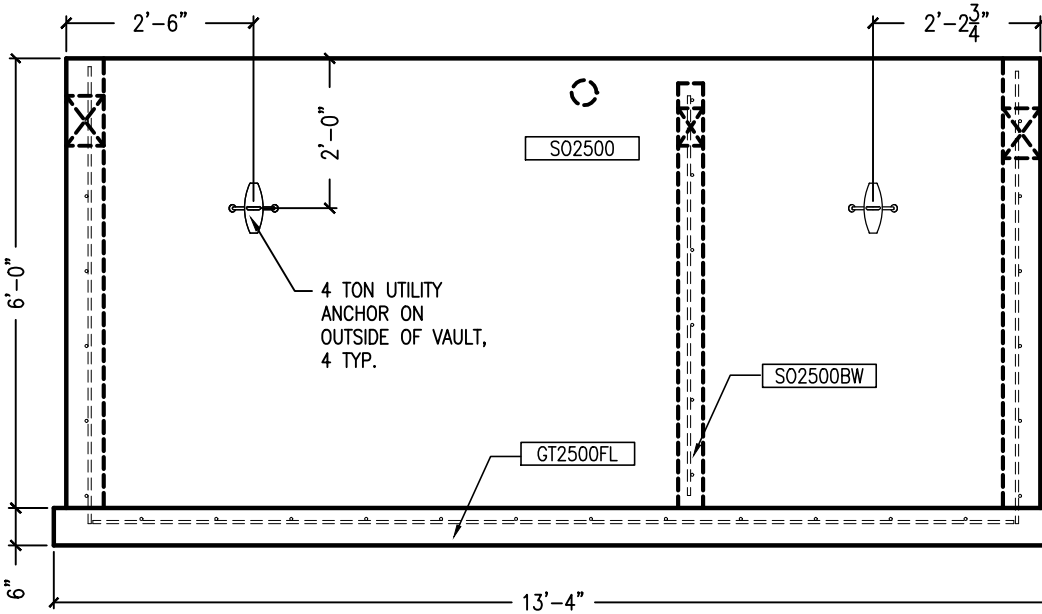
(2) ADD'L #6 REBAR EACH SIDE OF 24"Ø BLOCKOUTS IN BOTTOM MAT, MIN. 2" CLR.

(1) ADD'L #6 REBAR EACH SIDE OF LIFTS 1 1/2" OFF TOP OF LID

REINFORCEMENT:

LID:

SHORT BARS: #6 REBAR @ 6" O.C., 2-1/4" OFF BOTTOM.
 LONG BARS: #4 REBAR @ 12" O.C. ON TOP OF SHORT BARS
 (2) ADD'L #6 REBAR EACH SIDE OF ACCESS HOLES



VAULT LIFT DETAIL

WALLS:

TILT-UP REBAR

VERTICAL:

#4 REBAR AT 12" O.C., 2" OFF INSIDE OF WALL

HORIZONTAL:

#4 U-BAR @ 12" O.C., OUTSIDE OF VERTICAL BAR

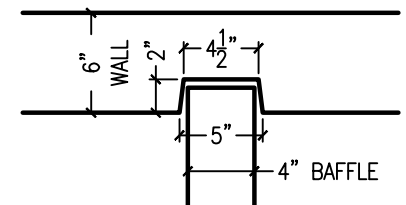
FLOOR:

#4 REBAR AT 12" O.C.E.W., SHORT BARS @ 1-1/2" OFF TOP OF FLOOR, LONG BARS BELOW SHORT BARS

20"X20" L-BAR AT ALL CORNERS (WALL TO FLOOR AND WALL TO WALL)

BAFFLE:

VERTICAL: #4 REBAR @ 12" O.C.E.W., CENTERED IN BAFFLE



NOTCH DETAIL

05/24/10

COLORADO PRECAST CONCRETE, Inc.
 1820 E. HIGHWAY 402, LOVELAND, CO 80537
 (970) 669-0535 FAX (970) 669-0674
 www.coloprecast.com



ITEM NAME:

**2500 GALLON SAND AND OIL INTERCEPTOR
 DETAILS**