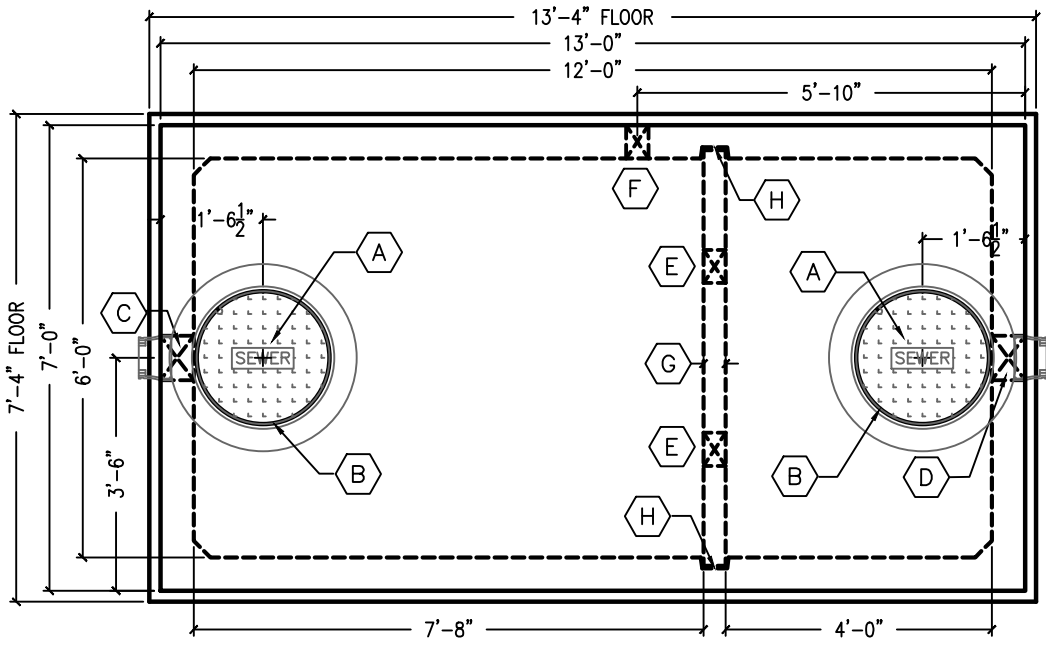
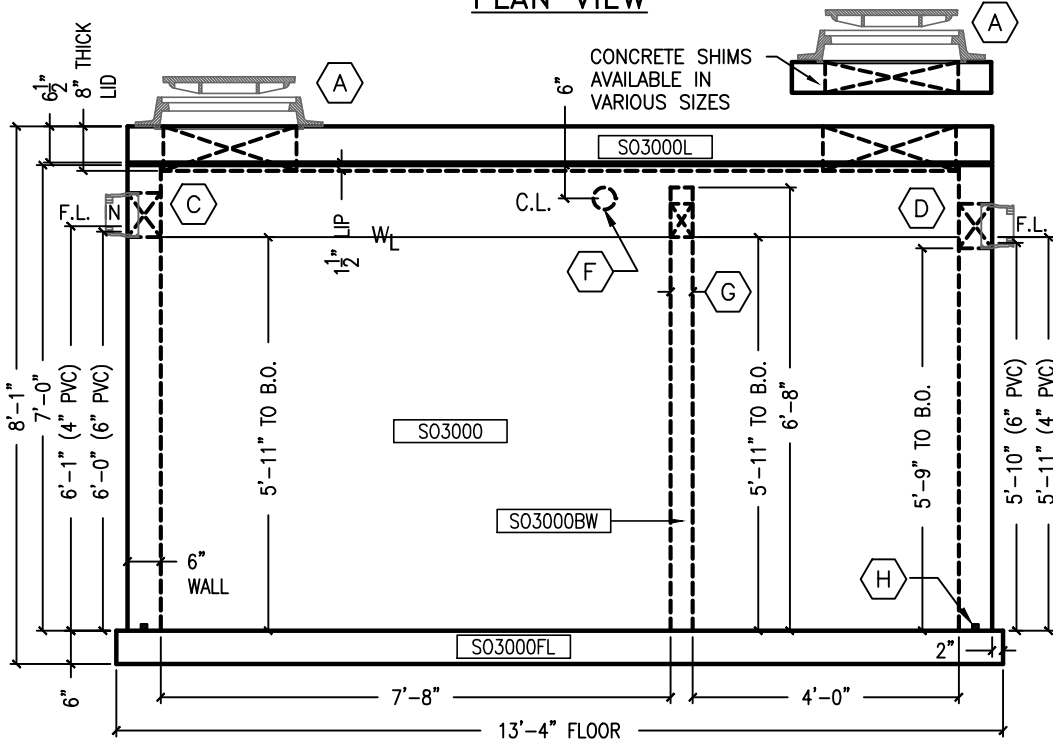


PART NO.	DESCRIPTION	QTY.
KOR02	KOR-N-SEAL S106-8SWP (4.2-5.5-6.4)	2
4PVC40C	4" SCH 40 COUPLING	1
RUB15ROLL	1 1/2" BUTYL MASTIC SEALANT ROLL	4
LIFTWRLL14	1/4"x8 1/2" GALV. WIRE ROPE LIFT	2
CIA1043RC	D&L A-1043 RING	2
CIA1161CSSAS	D&L A-1161 COVER STAMPED "SEWER"	2
RUBSF302853	SYKOFLEX WATER STOP x 3' ROLL	13
LIFTWRLL14	1/4"x8 1/2" GALV. WIRE ROPE LIFT	2



PLAN VIEW

- A D&L 24"Ø CAST IRON RING & COVER
- B 24"Ø BLOCKOUT IN LID
- C 8"Ø B/O FOR S106-8SWP (4.2"-6.4" OD) KOR-N-SEAL BOOT FOR 4" OR 6" PVC
- D 4" THICK BAFFLE WALL
- E 6"x6" BLOCKOUT IN BAFFLE
- F 4"Ø SCH 40 PVC COUPLING CAST INTO VAULT WALL
- G SYNKOFLEX WATERSTOP AROUND PERIMETER OF FLOOR
- H NOTCH IN INSIDE FACE OF VAULT WALL FOR BAFFLE



SECTION VIEW

GREASE INTERCEPTOR MEETS ASTM C 1613 06 SPECIFICATIONS

LOAD RATINGS:  
AASHTO HS20-44 RATED WITH UP TO 1'-6" SOIL COVER

DESIGN PROPERTIES:  
CONCRETE STRENGTH: 4,000 PSI  
CONCRETE WEIGHT: 150 PCF  
STEEL STRENGTH: 60,000 PSI (GRADE 60)

DESIGN MANUALS  
ACI 318-05  
AISC LRFD 3RD EDITION  
AASHTO 17th EDITON 2002

	4" PVC	6" PVC
ACTUAL CAPACITY	3,087 GAL	3,043 GAL

	WEIGHT/CONCRETE	
LID	8,086 LBS	2.00 CY
BAFFLE	2,083 LBS	0.51 CY
WALLS	19,943 LBS	4.92 CY
FLOOR	7,333 LBS	1.81 CY
VAULT TOTAL	29,359 LBS	7.24 CY
TOTAL	37,445 LBS	9.24 CY

- SECONDARY COMPARTMENT HAS VOLUME EQUAL TO APPROXIMATELY 1/3 OF TOTAL CAPACITY.
- JOINT BETWEEN LID AND VAULT TO BE SEALED WITH 1 ROW 1-1/2" BUTYL MASTIC SEALANT PROVIDED BY C.P.C.
- BAFFLE IS CAST SEPARATELY FROM VAULT.

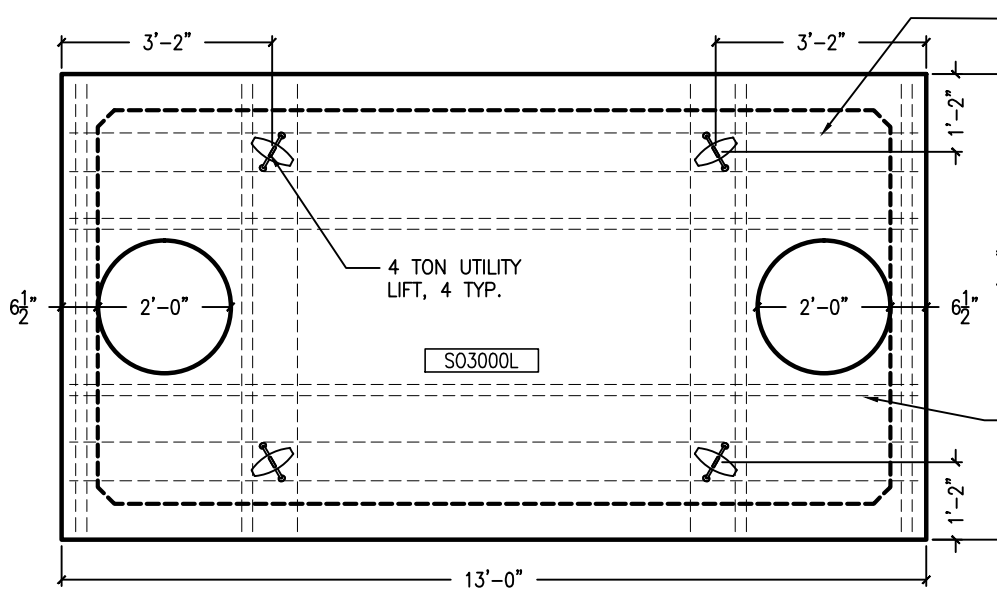
02/08/10

**COLORADO PRECAST CONCRETE, Inc.**  
1820 E. HIGHWAY 402, LOVELAND, CO 80537  
(970) 669-0535 FAX (970) 669-0674  
www.coloprecast.com



ITEM NAME:

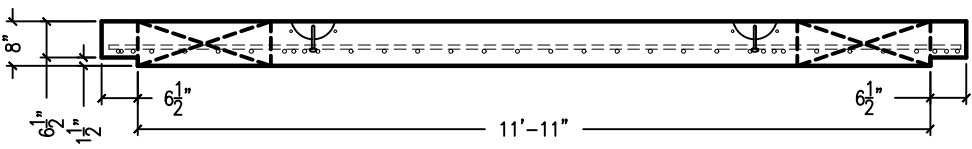
**3000 GALLON SAND & OIL INTERCEPTOR**



(1) ADD'L #4 BAR EACH SIDE OF LIFTS 1-1/2" OFF TOP OF LID

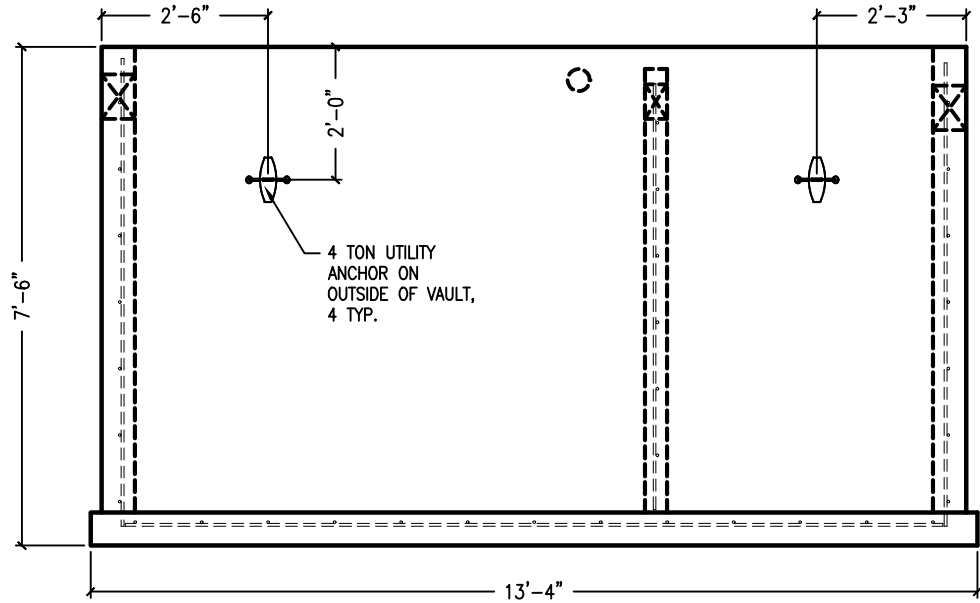
**REINFORCEMENT:**  
**LID:**  
 SHORT BARS: #6 REBAR @ 6" O.C., 2-1/4" OFF BOTTOM.  
 LONG BARS: #4 REBAR @ 12" O.C. ON TOP OF SHORT BARS

(2) ADD'L #6 BARS EA SIDE OF 24"Ø OPENING 2" OFF BOTTOM OF LID



**LID SECTION**  
**LID DETAILS**

**REINFORCEMENT:**  
**LID:**  
 SHORT BARS: #6 REBAR @ 6" O.C., 2-1/4" OFF BOTTOM.  
 LONG BARS: #4 REBAR @ 12" O.C. ON TOP OF SHORT BARS  
 (2) ADD'L #6 REBAR EACH SIDE OF ACCESS HOLES



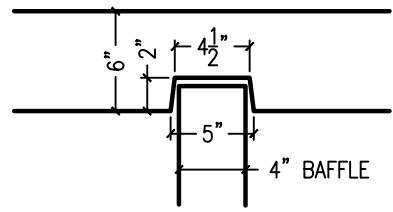
**VAULT DETAILS**

**WALLS:**  
**TILT-UP REBAR**  
**VERTICAL:**  
 #4 REBAR AT 12" O.C., 2" OFF INSIDE OF WALL  
**HORIZONTAL:**  
 #4 REBAR @ 12" O.C., OUTSIDE OF VERTICAL BAR

**FLOOR:**  
 #4 REBAR AT 12" O.C.E.W., SHORT BARS @ 1-1/2" OFF TOP OF FLOOR, LONG BARS BELOW SHORT BARS

20"X20" L-BAR AT ALL CORNERS (WALL TO FLOOR AND WALL TO WALL)

**BAFFLE:**  
 #4 REBAR @ 12" O.C.E.W., CENTERED



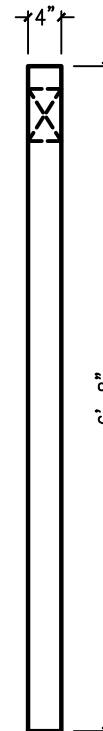
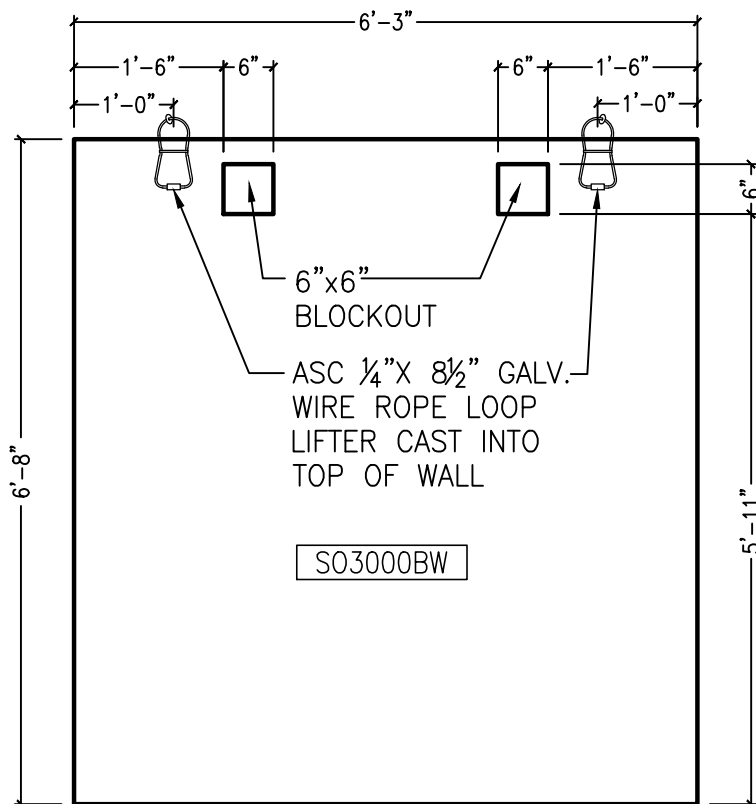
**NOTCH DETAIL**

02/08/10

**COLORADO PRECAST CONCRETE, Inc.**  
 1820 E. HIGHWAY 402, LOVELAND, CO 80537  
 (970) 669-0535 FAX (970) 669-0674  
 www.coloprecast.com



ITEM NAME:  
**3000 GALLON SAND & OIL INTERCEPTOR**  
**DETAILS**



SIDE VIEW

BAFFLE:  
REBAR @ 12" O.C.E.W.,  
CENTERED

BAFFLE IS CAST SEPARATELY  
FROM VAULT

	WEIGHT/CONCRETE	
BAFFLE	2,083 LBS	0.51 CY

02/08/10

**COLORADO PRECAST CONCRETE, Inc.**  
1820 E. HIGHWAY 402, LOVELAND, CO 80537  
(970) 669-0535 FAX (970) 669-0674  
www.coloprecast.com



ITEM NAME:

**3000 GALLON SAND & OIL INTERCEPTOR  
BAFFLE**