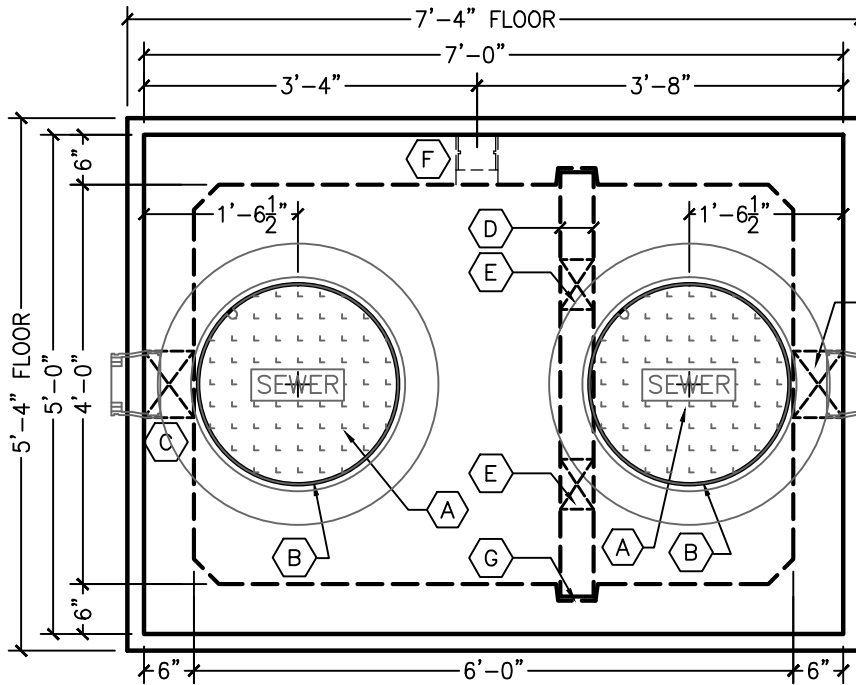


WEIGHT/CONCRETE		
LID	2,648 LBS	0.65 CY
BAFFLE	691 LBS	0.17 CY
WALLS	5,719 LBS	1.41 CY
FLOOR	2,933 LBS	0.72 CY
VAULT TOTAL	8,625 LBS	2.14 CY
TOTAL	11,991 LBS	2.96 CY

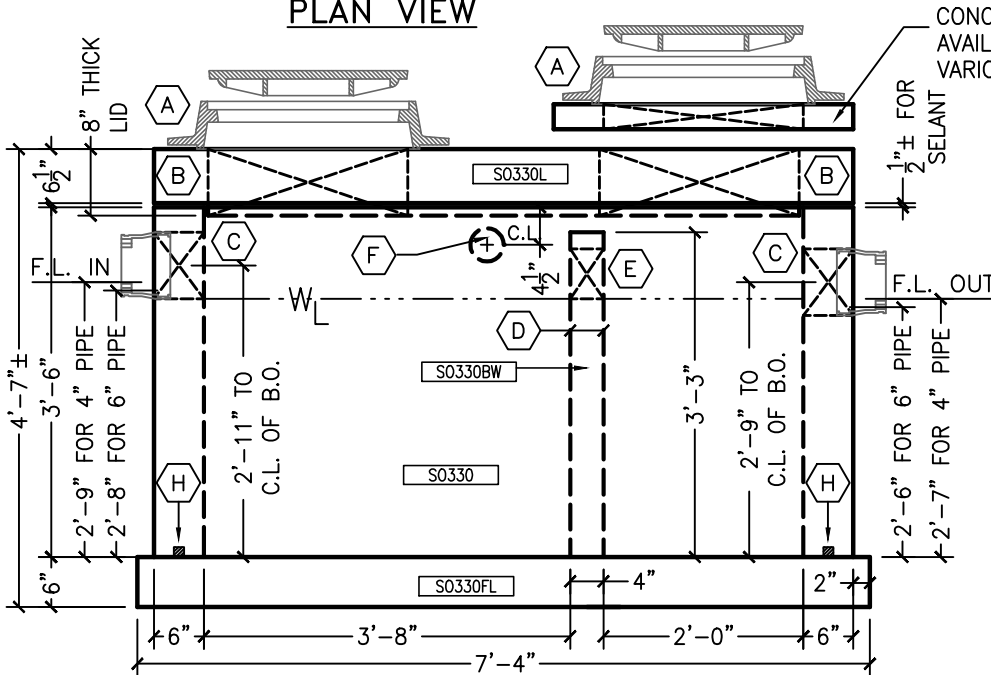
PART NO.	DESCRIPTION	QTY.
KOR02	KOR-N-SEAL S106-8SWP (4.2-5.5-6.4)	2
4PVC40C	4" SCH 40 COUPLING	1
RUB15ROLL	1 1/2" BUTYL MASTIC SEALANT ROLL	3
ANCHU4	4-TON UTILITY ANCHOR #6UA444	8
LIFTWRLL14	1/4"x8 1/2" GALV. WIRE ROPE LIFT	2
CIA1043RC	D&L A-1043 RING	2
CIA1161CSSAS	D&L A-1161 COVER STAMPED "SEWER"	2
RUBSF302853	SYNKO-FLEX WATER STOP x 36" STRIPS	6



PLAN VIEW

- A D&L A-1043 24"Ø CAST IRON RING & A-1161 COVER STAMPED "SEWER"
- B 24"Ø BLOCKOUT IN LID
- C 8"Ø BLOCKOUT FOR KOR-N-SEAL GASKET S106-8SWP (4.2"-6.4") FOR 4" OR 6" PVC
- D 4" THICK BAFFLE WALL
- E 6"x6" BLOCKOUT IN BAFFLE
- F 4"Ø SCH 40 PVC COUPLING CAST INTO VAULT WALL, COUPLER TO OUTSIDE FACE
- G NOTCH ON INSIDE FACE OF WALL FOR BAFFLE
- H SYNKOFLEX WATERSTOP AROUND PERIMETER WALL AT FLOOR

PRODUCTION	ISSUED
PLANT SUPER	
REBAR	
WELDING	
BLDG 2	
BLDG 3	
BLDG 4	
EAST PAD	
QC	
FORKLIFT	
DISPATCH	
CM	
DATE:	



SECTION VIEW

- SECONDARY COMPARTMENT HAS VOLUME EQUAL TO APPROXIMATELY 1/3 OF TOTAL CAPACITY.
- JOINT BETWEEN LID AND VAULT TO BE SEALED WITH 1 ROW OF 1-1/2" BUTYL MASTIC SEALANT PROVIDED BY C.P.C.
- BAFFLE IS FORMED SEPARATELY FROM THE VAULT

	4" PVC	6" PVC
ACTUAL CAPACITY	433 GAL	419 GAL

CONCRETE SHIMS AVAILABLE IN VARIOUS HEIGHTS

LOAD RATINGS:
AASHTO HS20-44 RATED TO 5' MAX. BURY

DESIGN PROPERTIES:
CONCRETE STRENGTH: 7,000 PSI
CONCRETE WEIGHT: 150 PCF
STEEL STRENGTH: 60,000 PSI (GRADE 60)

DESIGN MANUALS
ACI 318-08
AISC LRFD 13th EDITION
AASHTO 17th EDITION 2002

NOTE:
IT IS THE RESPONSIBILITY OF THE CONTRACTOR TO VERIFY ALL DIMENSIONS AND SPECIFICATIONS

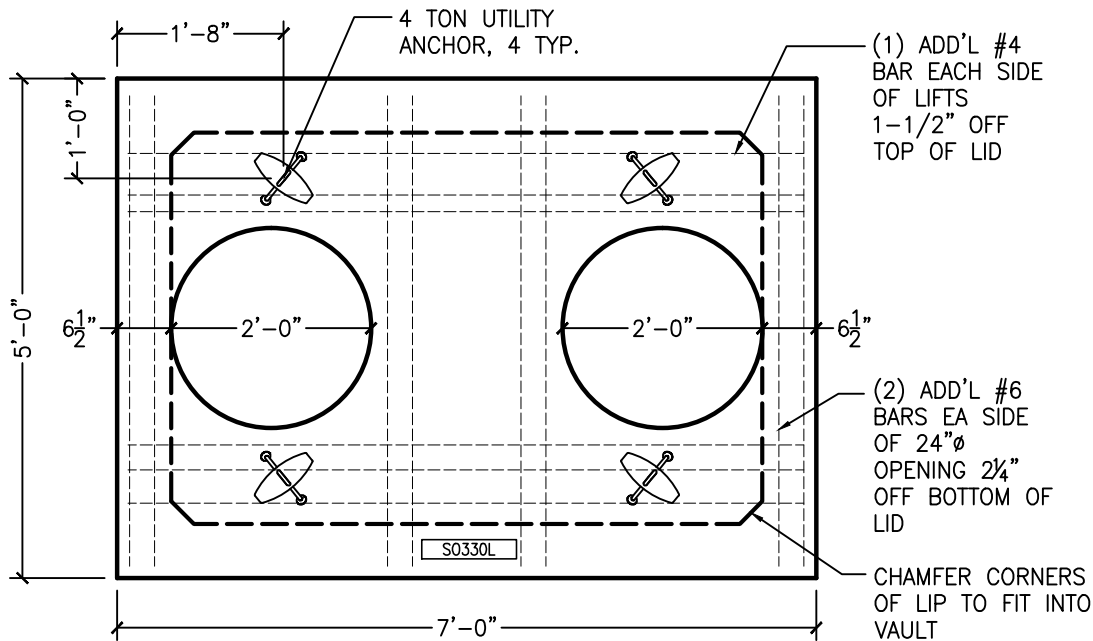
APPROVED BY: _____ DATE: _____

COLORADO PRECAST CONCRETE, Inc.
1820 E. HIGHWAY 402, LOVELAND, CO 80537
(970) 669-0535 FAX (970) 669-0674
www.coloprecast.com



ITEM NAME:

330 GALLON SAND & OIL INTERCEPTOR



REINFORCEMENT:

LID:

SHORT BARS: #6 REBAR @ 6" O.C., 2-1/4" OFF BOTTOM.

LONG BARS: #4 REBAR @ 12" O.C. ON TOP OF SHORT BARS

(2) ADD'L #6 REBAR EACH SIDE OF ACCESS HOLES

WALLS:

VERTICAL:

#4 U-BAR AT 12" O.C., 2" OFF INSIDE OF WALL

HORIZONTAL:

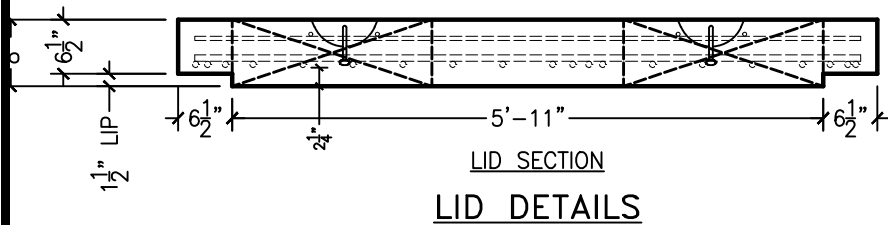
#4 U-BAR @ 12" O.C., OUTSIDE OF VERTICAL BAR

BAFFLE:

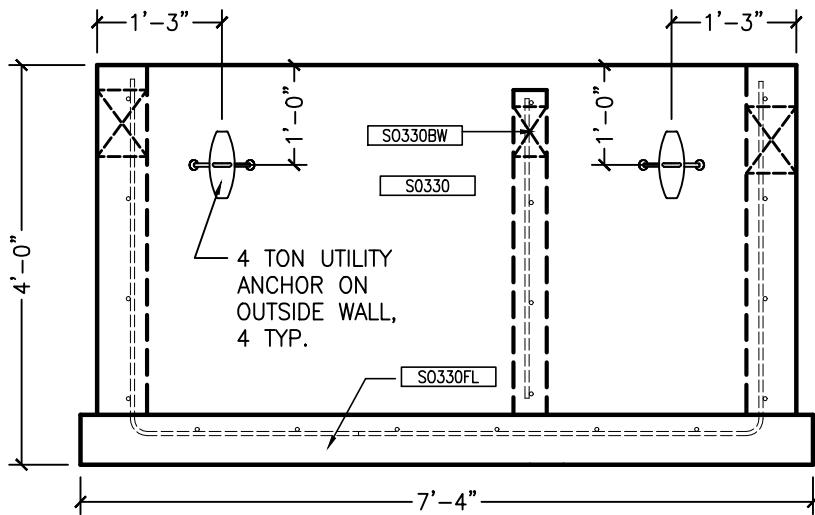
VERTICAL: #4 REBAR @ 12" O.C., HORIZONTAL: #4 REBAR @ 12" O.C.

FLOOR:

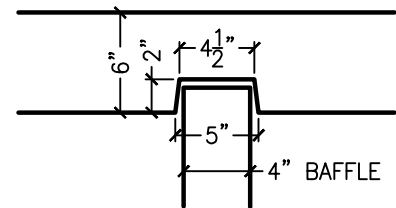
#4 U-BAR AT 12" O.C.E.W, SHORT BARS @ 1-1/2" OFF TOP OF FLOOR, LONG BARS BELOW SHORT BARS



LID DETAILS



VAULT DETAIL



NOTCH DETAIL

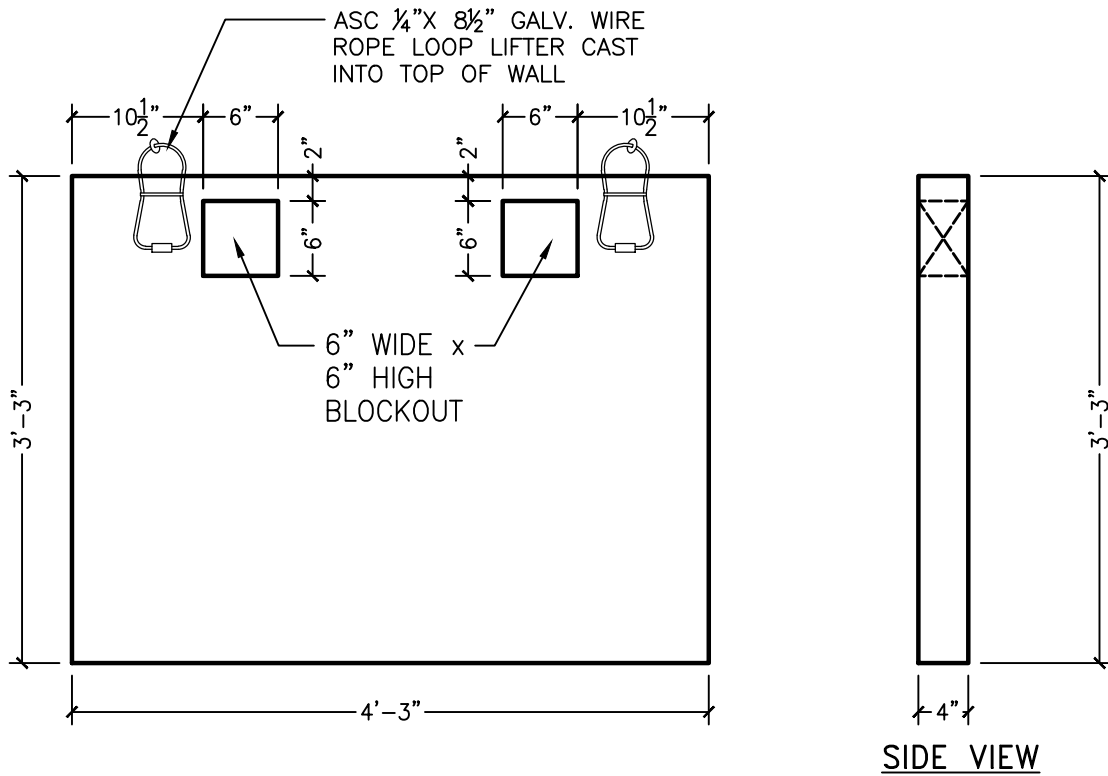
05/27/10

COLORADO PRECAST CONCRETE, Inc.
 1820 E. HIGHWAY 402, LOVELAND, CO 80537
 (970) 669-0535 FAX (970) 669-0674
 www.coloprecast.com



ITEM NAME:

**330 GALLON SAND & OIL INTERCEPTOR
 DETAILS**



BAFFLE:

VERTICAL: #4 REBAR @ 12" O.C.
 HORIZONTAL: #4 REBAR @ 12" O.C.

BAFFLE IS CAST SEPARATELY FROM THE VAULT

WEIGHT/CONCRETE:
 691 LBS / 0.17 CY

	ITEM NAME		FLOOR		WALLS		BAFFLE		LID	
	DATE	QC	DATE	QC	DATE	QC	DATE	QC	DATE	QC
PRE POUR	POUR DATE									
	SCHEDULED DATE									
	REINFORCEMENT									
	MIX#									
	LIFTS									
	BLOCKOUTS									
	GASKETS									
POST POUR	FORM OIL									
	DIMENSIONS									
	STEPS									
	BLOCKOUTS									
FINAL	GASKETS									
	FORM OIL									
	DIMENSIONS									
	COATING									
	DIMENSIONS									
	ANTICIP. SHIP DATE:									

05/27/10

COLORADO PRECAST CONCRETE, Inc.
 1820 E. HIGHWAY 402, LOVELAND, CO 80537
 (970) 669-0535 FAX (970) 669-0674
 www.coloprecast.com



ITEM NAME:
**330 GALLON SAND & OIL INTERCEPTOR
 BAFFLE WALL**