

SIDE VIEW

REINFORCEMENT:
 #4 REBAR @ 12" O.C.E.W., CENTERED IN BAFFLE
 BAFFLE IS CAST SEPARATELY FROM VAULT

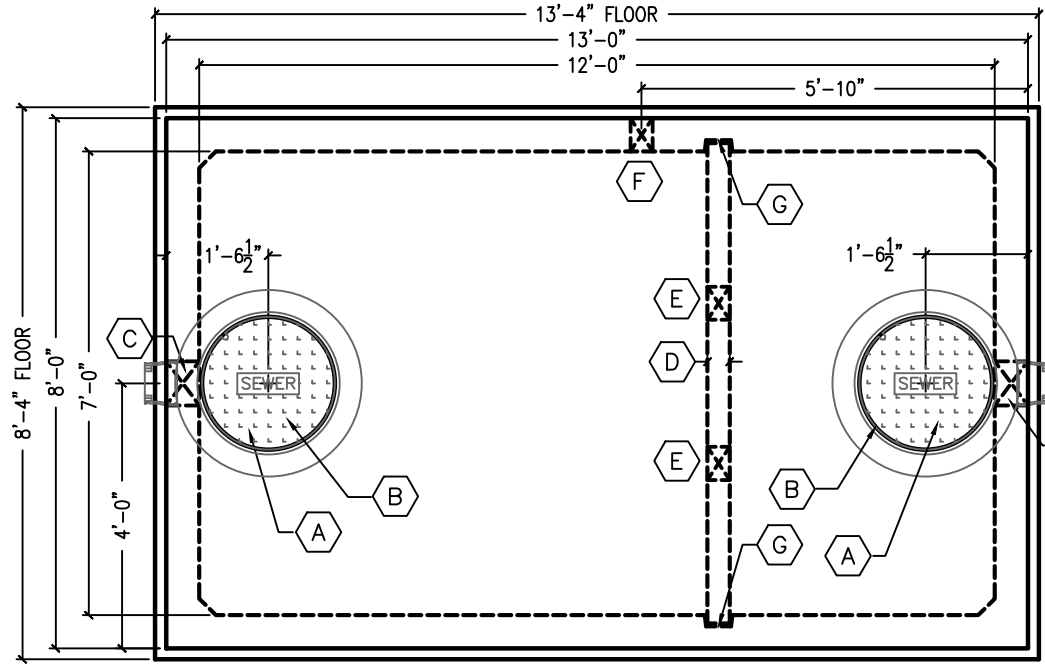
	WEIGHT/CONCRETE	
BAFFLE	2,417 LBS	5.22 CY

02/08/10

COLORADO PRECAST CONCRETE, Inc.
 1820 E. HIGHWAY 402, LOVELAND, CO 80537
 (970) 669-0535 FAX (970) 669-0674
 www.coloprecast.com

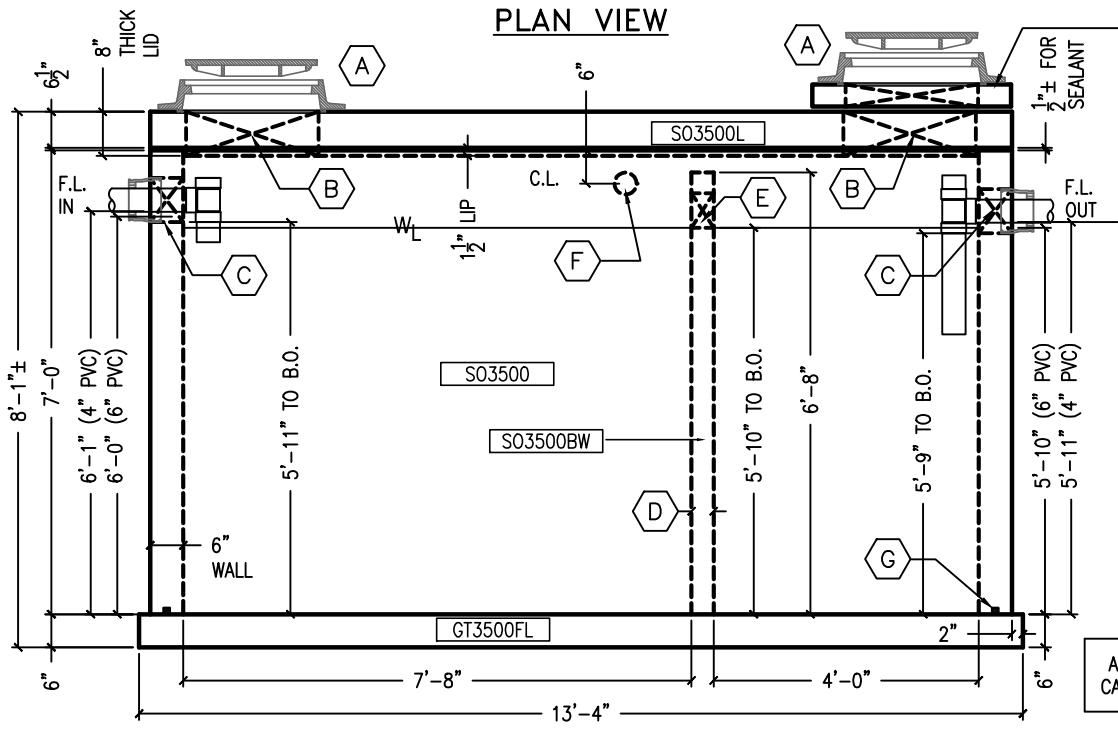
ITEM NAME:
**3500 GALLON SAND & OIL INTERCEPTOR
 BAFFLE**

PART NO.	DESCRIPTION	QTY.
KOR02	KOR-N-SEAL S106-8SWP (4.2-5.5-6.4)	2
4PVC40C	4" SCH 40 COUPLING	1
RUB15ROLL	1 1/2" BUTYL MASTIC SEALANT ROLL	5
LIFTWRLL14	1/4"x8 1/2" GALV. WIRE ROPE LIFT	2
CIA1043RC	D&L A-1043 RING	2
CIA1161CSSAS	D&L A-1161 COVER STAMPED "SEWER"	2
RUBSF302853	SYKOFLEX WATER STOP x 3' ROLL	14
LIFTWRLL14	1/4"x8 1/2" GALV. WIRE ROPE LIFT	2



- (A) D&L A-1043 24"Ø CAST IRON RING & A-1161 COVER STAMPED "SEWER"
- (B) 24"Ø BLOCKOUT IN LID
- (C) 8"Ø B/O FOR S106-8SWP (4.2"-6.4" OD) KOR-N-SEAL BOOT FOR 4" OR 6" PVC
- (D) 4" THICK BAFFLE WALL
- (E) 6"x6" BLOCKOUT
- (F) 4"Ø SCH 40 PVC COUPLING CAST INTO VAULT WALL
- (G) SYKOFLEX WATERSTOP AROUND PERIMETER OF FLOOR

PLAN VIEW



CONCRETE SHIMS AVAILABLE IN VARIOUS SIZES

LOAD RATINGS:
AASHTO HS20-44 RATED WITH UP TO 1'-6" SOIL COVER

DESIGN PROPERTIES:
CONCRETE STRENGTH: 4,000 PSI
CONCRETE WEIGHT: 150 PCF
STEEL STRENGTH: 60,000 PSI (GRADE 60)

DESIGN MANUALS
ACI 318-05
AISC LRFD 3RD EDITION
AASHTO 17th EDITON 2002

	4" PVC	6" PVC
ACTUAL CAPACITY	3603 GAL	3552 GAL

	WEIGHT/CONCRETE	
LID	9,365 LBS	2.31 CY
BAFFLE	2,417 LBS	5.22 CY
WALLS	21,131 LBS	0.60 CY
FLOOR	8,333 LBS	2.06 CY
VAULT TOTAL	31,881 LBS	7.87 CY
TOTAL	41,246 LBS	10.18 CY

- SECONDARY COMPARTMENT HAS VOLUME EQUAL TO APPROXIMATELY 1/3 OF TOTAL CAPACITY.
- (2) S106-8SWP KOR-N-SEAL BOOTS TO BE FURNISHED BY COLORADO PRECAST CONCRETE (C.P.C.).
- JOINT BETWEEN LID AND VAULT TO BE SEALED WITH 1 ROW 1-1/2" BUTYL MASTIC SEALANT PROVIDED BY C.P.C.
- BAFFLE IS FORMED SEPARATELY

SIDE VIEW

02/08/10

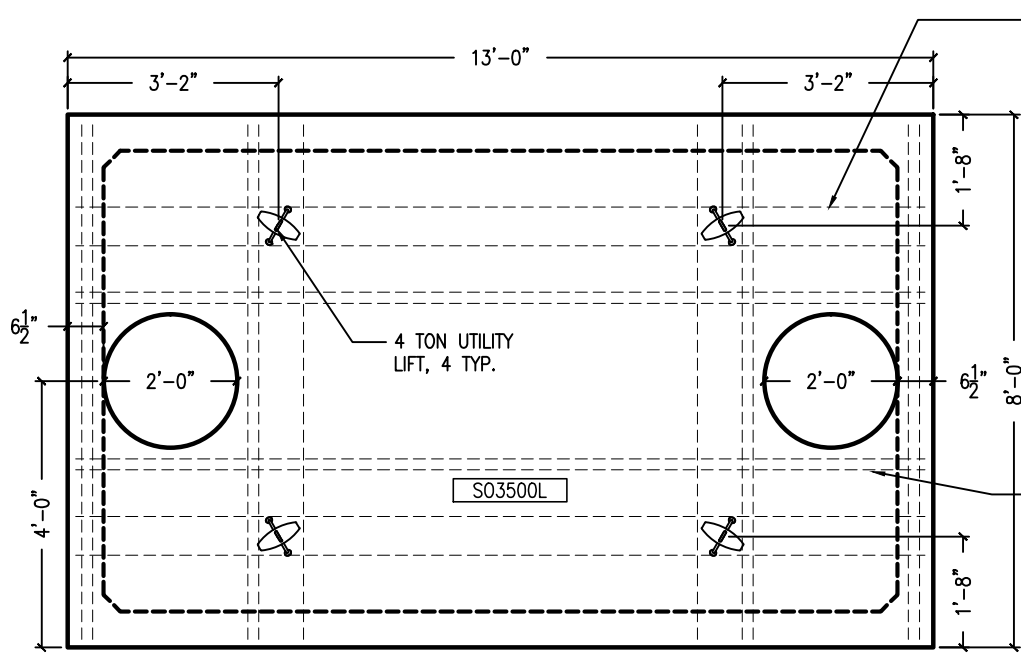
COLORADO PRECAST CONCRETE, Inc.
 1820 E. HIGHWAY 402, LOVELAND, CO 80537
 (970) 669-0535 FAX (970) 669-0674
 www.coloprecast.com

ITEM NAME:
3500 GALLON SAND & OIL INTERCEPTOR

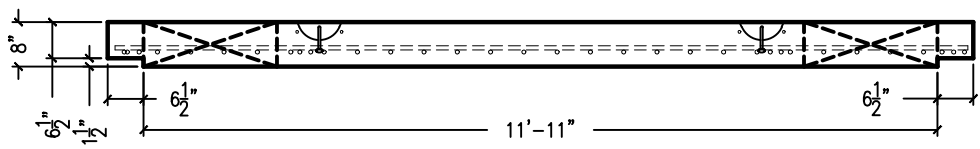
(1) ADD'L #4 BAR
EACH SIDE OF LIFTS
1-1/2" OFF TOP OF
LID

REINFORCEMENT:
LID:
SHORT BARS: #6 REBAR @
6" O.C., 2-1/4" OFF BOTTOM.
LONG BARS: #4 REBAR @
12" O.C. ON TOP OF SHORT
BARS

(2) ADD'L #6 BARS EA SIDE
OF 24"Ø OPENING 2" OFF
BOTTOM OF LID



REINFORCEMENT:
LID:
SHORT BARS: #6 REBAR @
6" O.C., 2-1/4" OFF BOTTOM.
LONG BARS: #4 REBAR @ 12"
O.C. ON TOP OF SHORT BARS
(2) ADD'L #6 REBAR EACH
SIDE OF ACCESS HOLES



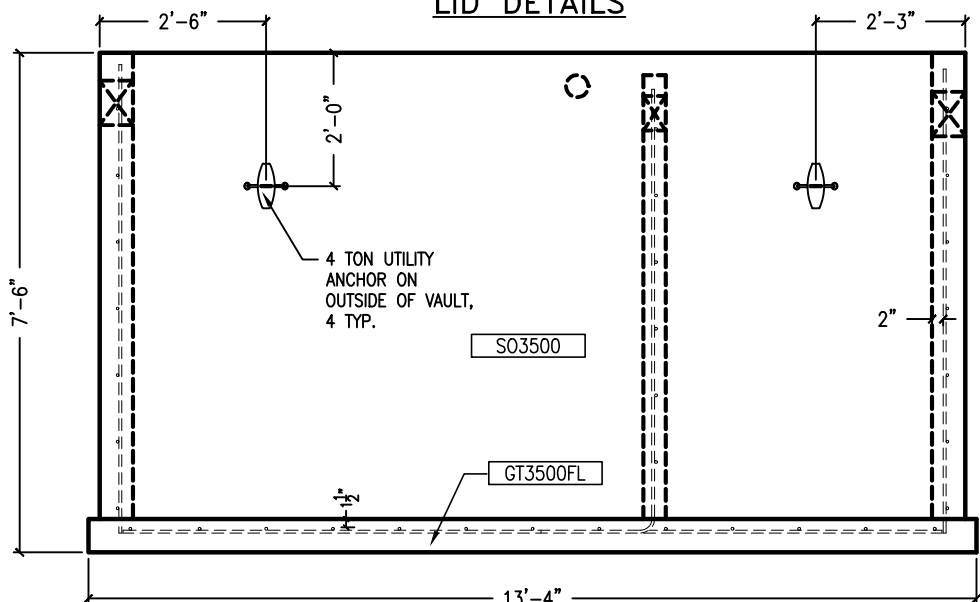
LID SECTION
LID DETAILS

WALLS:
TILT-UP REBAR
VERTICAL:
#4 REBAR AT 12" O.C., @ 2" OFF
INSIDE OF WALL
HORIZONTAL:
#4 REBAR @ 12" O.C.,
OUTSIDE OF VERTICAL BAR

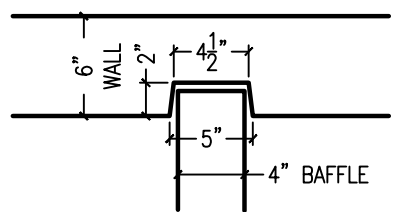
FLOOR:
#4 REBAR AT 12" O.C.E.W,
SHORT BARS @ 1-1/2" OFF
TOP OF FLOOR, LONG BARS
BELOW SHORT BARS

20"X20" L-BAR AT ALL CORNERS (WALL
TO FLOOR AND WALL TO WALL)

BAFFLE:
VERTICAL: #4 L-BAR @ 12" O.C.,
L-BAR EXTENDS INTO FLOOR
HORIZONTAL: #4 U-BAR @ 12"
O.C., U-BAR EXTENDS INTO WALLS



LIFT DETAILS



NOTCH DETAIL

02/08/10

COLORADO PRECAST CONCRETE, Inc.
1820 E. HIGHWAY 402, LOVELAND, CO 80537
(970) 669-0535 FAX (970) 669-0674
www.coloprecast.com



ITEM NAME:
**3500 GALLON SAND & OIL INTERCEPTOR
DETAILS**