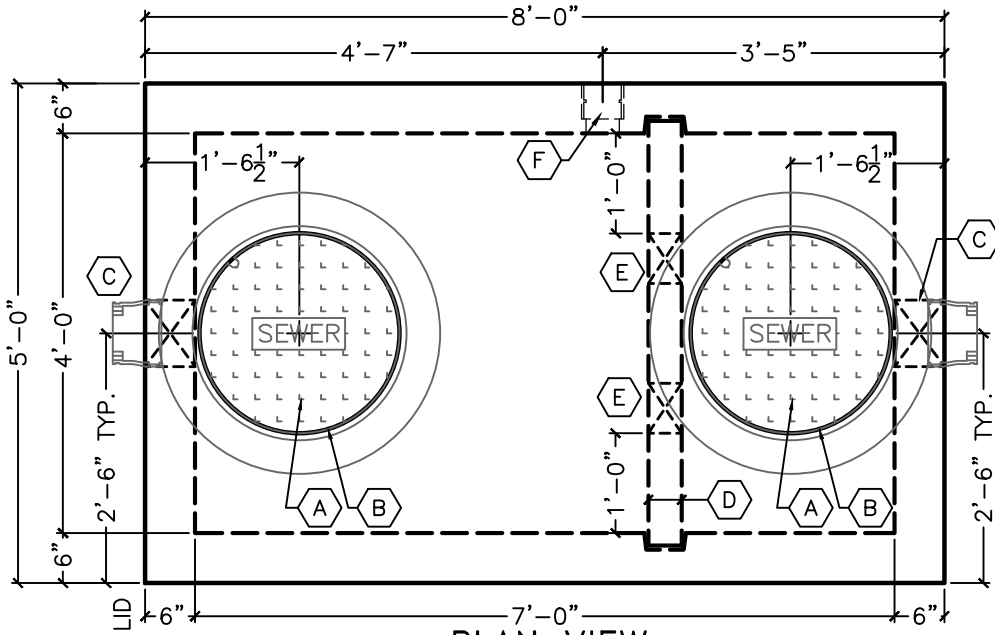
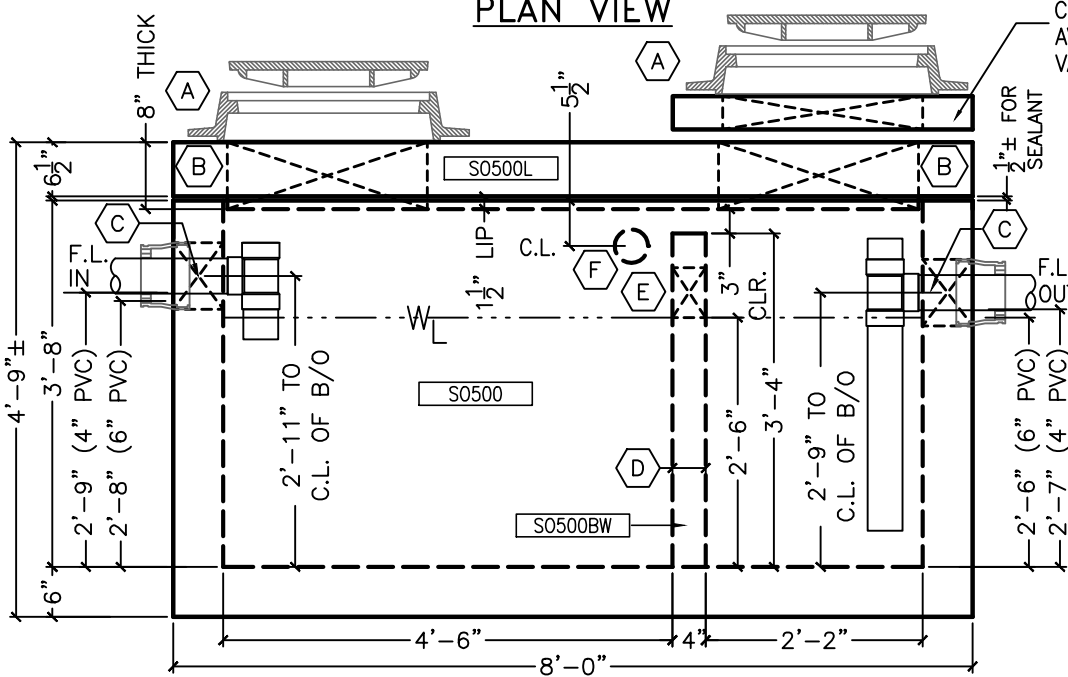


	4" PVC	6" PVC
ACTUAL CAPACITY	515 GAL	499 GAL

PART NO.	DESCRIPTION	QTY.
KOR02	KOR-N-SEAL S106-8SWP (4.2-5.5-6.4)	2
4PVC40C	4" SCH 40 COUPLING	1
RUB15ROLL	1 1/2" BUTYL MASTIC SEALANT ROLL	3
ANCHU4	4-TON UTILITY ANCHOR #6UA444	8
LIFTWRLL14	1/4"x8 1/2" GALV. WIRE ROPE LIFT	2
CIA1043RC	D&L A-1043 RING	2
CIA1161CSSAS	D&L A-1161 COVER STAMPED "SEWER"	2



PLAN VIEW



SIDE VIEW

LOAD RATINGS:
AASHTO HS20-44 RATED TO
5' MAX. BURY

DESIGN PROPERTIES:
CONCRETE STRENGTH: 7,000 PSI
CONCRETE WEIGHT: 150 PCF
STEEL STRENGTH: 60,000 PSI
(GRADE 60)

DESIGN MANUALS
ACI 318-08
AISC LRFD 13th EDITION
AASHTO 17th EDITION 2002

PRODUCTION	ISSUED
PLANT SUPER	
REBAR	
WELDING	
BLDG 2	
BLDG 3	
BLDG 4	
EAST PAD	
QC	
FORKLIFT	
DISPATCH	
CM	
DATE:	

CONCRETE SHIMS
AVAILABLE IN
VARIOUS SIZES

- (A) D&L A-1043 24"Ø CAST IRON RING & A-1161 COVER STAMPED "SEWER"
- (B) 24"Ø BLOCKOUT IN LID
- (C) 8"Ø BLOCKOUT FOR KOR-N-SEAL GASKET S106-8SWP (4.2"-6.4") FOR 4" OR 6" PVC
- (D) 4" THICK BAFFLE WALL
- (E) 6"x6" BLOCKOUT IN BAFFLE
- (F) 4"Ø SCH 40 PVC COUPLING CAST INTO VAULT WALL
- (G) NOTCH ON INSIDE FACE OF WALL FOR BAFFLE

- SECONDARY COMPARTMENT HAS A VOLUME EQUAL TO APPROXIMATELY 1/3 OF TOTAL CAPACITY.
- (2) S106-8SWP KOR-N-SEAL BOOTS FURNISHED BY C.P.C.
- JOINT BETWEEN LID AND VAULT TO BE SEALED WITH 1 ROW OF 1-1/2" BUTYL MASTIC SEALANT PROVIDED BY C.P.C.
- BAFFLE WALL TO BE A SEPARATE POUR AND INSTALLED BY C.P.C. PRIOR TO DELIVERY.
- ALL PIPES AND FITTINGS TO BE PROVIDED BY OTHERS

	WEIGHT/CONCRETE	
LID	3,119 LBS	0.77 CY
BAFFLE	689 LBS	0.17 CY
VAULT	9,518 LBS	2.35 CY
TOTAL	13,325 LBS	3.29 CY

NOTE:
IT IS THE RESPONSIBILITY OF THE
CONTRACTOR TO VERIFY ALL
DIMENSIONS AND SPECIFICATIONS

APPROVED BY

DATE

12/16/11

COLORADO PRECAST CONCRETE, Inc.

1820 E. HIGHWAY 402, LOVELAND, CO 80537
(970) 669-0535 FAX (970) 669-0674
www.coloprecast.com

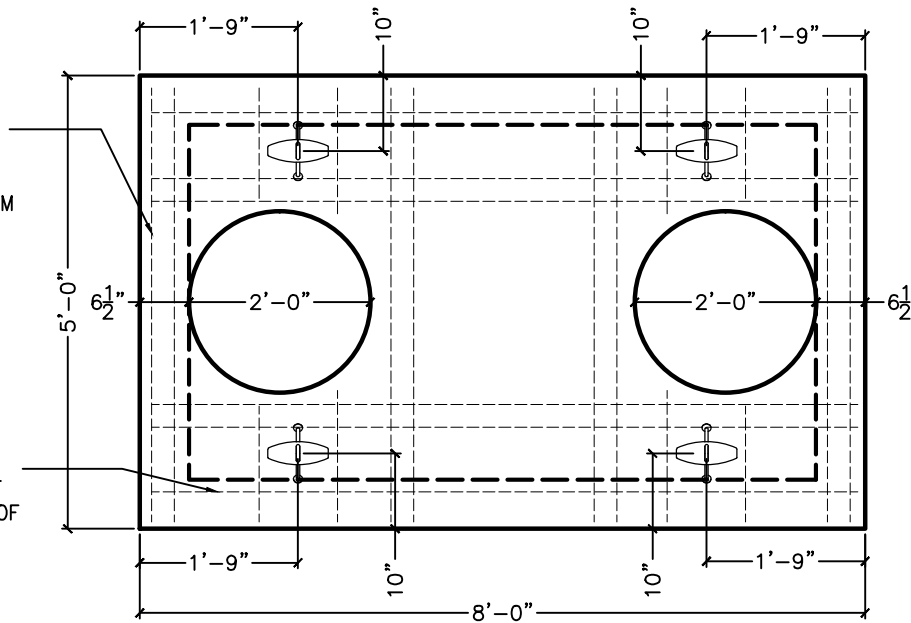


ITEM NAME:

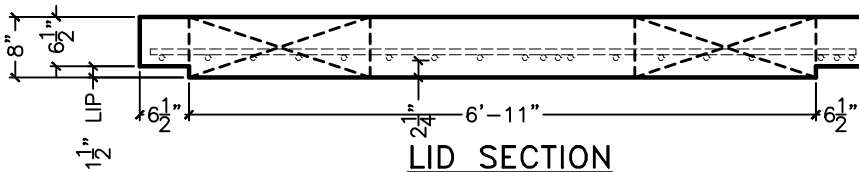
500 GALLON SAND & OIL INTERCEPTOR

ADD'L #6 REBAR
EACH SIDE OF
OPENING
1-1/2" OFF BOTTOM

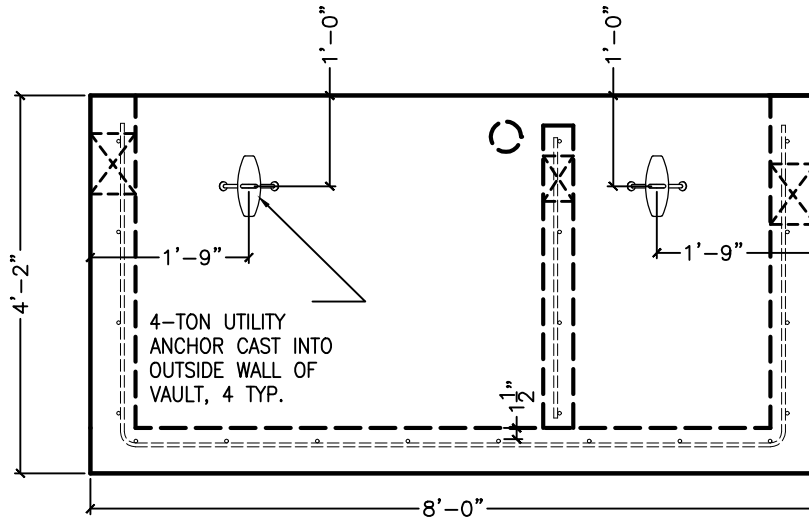
ADD'L #6 REBAR
EACH SIDE OF LIFT
1-1/2" OFF TOP OF
LID



LID PLAN VIEW



LID SECTION



VAULT LIFT LOCATION

REINFORCEMENT:

LID:

SHORT BARS: #6 REBAR @
6" O.C., 2-1/4" OFF BOTTOM.
LONG BARS: #4 REBAR @
12" O.C. ON TOP OF SHORT
BARS
(2) ADD'L #6 REBAR EACH
SIDE OF ACCESS HOLES

WALLS:

VERTICAL:

#4 U-BAR AT 12" O.C.,
1-1/2" OFF INSIDE OF WALL

HORIZONTAL:

#4 U-BAR @ 12" O.C.,
OUTSIDE OF VERTICAL BAR

FLOOR:

#4 U-BAR AT 12" O.C.E.W.,
SHORT BARS @ 1-1/2" OFF
TOP OF FLOOR, LONG BARS
BELOW SHORT BARS
U-BARS EXTEND INTO WALLS

BAFFLE:

#4 REBAR @ 12" O.C.E.W.,
CENTERED

02/08/10

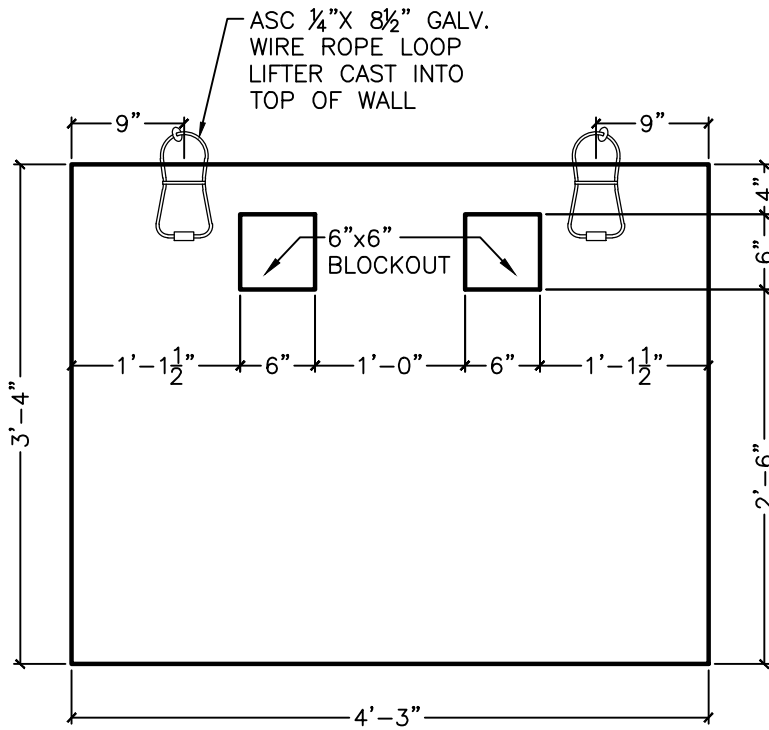
COLORADO PRECAST CONCRETE, Inc.

1820 E. HIGHWAY 402, LOVELAND, CO 80537
(970) 669-0535 FAX (970) 669-0674
www.coloprecast.com

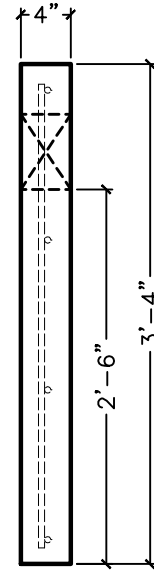


ITEM NAME:

**500 GALLON SAND & OIL INTERCEPTOR
REINFORCEMENT DETAILS**



ASC 1/4" X 8 1/2" GALV.
WIRE ROPE LOOP
LIFTER CAST INTO
TOP OF WALL



SECTION VIEW

BAFFLE IS POURED SEPARATELY
AND PLACED IN VAULT PRIOR
TO DELIVERY

WEIGHT/CONCRETE:
699 LBS / 0.17 CY

REINFORCEMENT:
#4 REBAR @ 12" O.C.E.W.,
CENTERED

02/08/10

COLORADO PRECAST CONCRETE, Inc.
1820 E. HIGHWAY 402, LOVELAND, CO 80537
(970) 669-0535 FAX (970) 669-0674
www.coloprecast.com



ITEM NAME:

**500 GALLON SAND & OIL INTERCEPTOR
BAFFLE DETAILS**