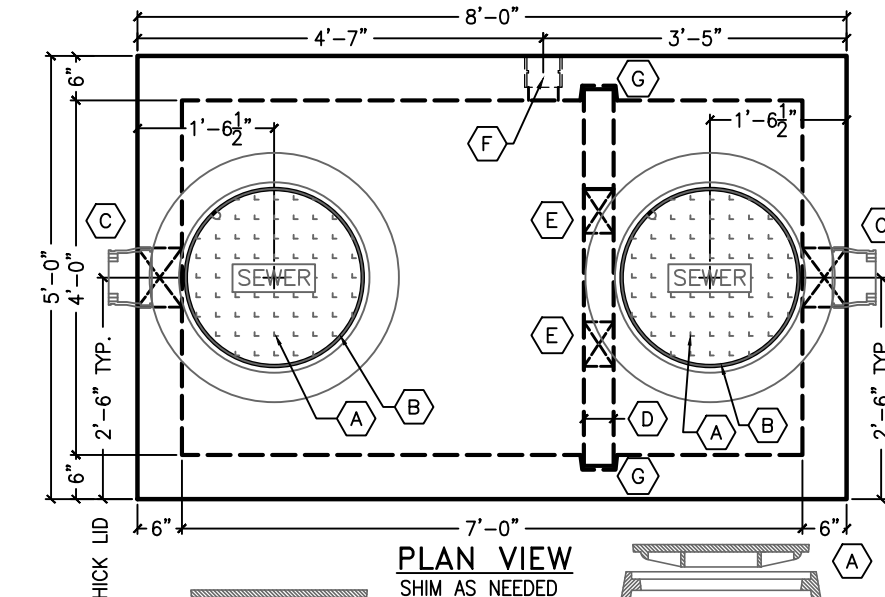
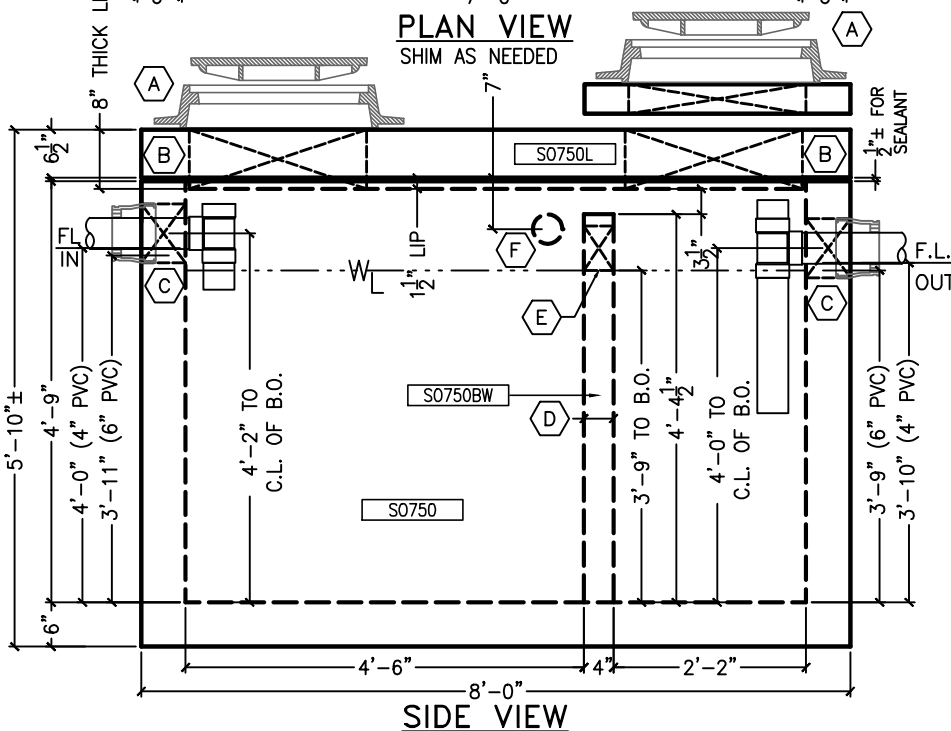


PART NO.	DESCRIPTION	QTY.
KOR02	KOR-N-SEAL S106-8SWP (4.2-5.5-6.4)	2
4PVC40C	4" SCH 40 COUPLING	1
RUB15ROLL	1 1/2" BUTYL MASTIC SEALANT ROLL	3
ANCHU4	4-TON UTILITY ANCHOR #6UA444	8
LIFTWRL14	1/4"x8 1/2" GALV. WIRE ROPE LIFT	2
CIA1043RC	D&L A-1043 RING	2
CIA1161CSSAS	D&L A-1161 COVER STAMPED "SEWER"	2



- (A) D&L A-1043 24"Ø CAST IRON RING & A-1161 COVER STAMPED "SEWER"
- (B) 24"Ø BLOCKOUT IN LID
- (C) 8"Ø BLOCKOUT FOR S106-8SWP (4.2"-6.4" OD) KOR-N-SEAL BOOT FOR 4" OR 6" PVC
- (D) 4" THICK BAFFLE
- (E) 6"x6" BLOCKOUT
- (F) 4"Ø SCH 40 PVC COUPLING CAST INTO VAULT WALL
- (G) NOTCH FOR BAFFLE IN WALL OF VAULT

PRODUCTION	ISSUED
PLANT SUPER	
REBAR	
WELDING	
BLDG 2	
BLDG 3	
BLDG 4	
EAST PAD	
QC	
FORKLIFT	
DISPATCH	
DATE:	



LOAD RATINGS:
AASHTO HS20-44 RATED TO
5' MAX. BURY

DESIGN PROPERTIES:
CONCRETE STRENGTH=7,000 PSI
CONCRETE WEIGHT=150 PCF
STEEL STRENGTH=60,000 PSI
(GRADE 60)

DESIGN MANUALS
ACI 318-08
AISC LRFD 13th EDITION
AASHTO 17th EDITION 2002

	4" PVC	6" PVC
ACTUAL CAPACITY	765 GAL	748 GAL

- SECONDARY COMPARTMENT HAS A VOLUME EQUAL TO APPROXIMATELY 1/3 OF TOTAL CAPACITY.
- (2) S106-8SWP KOR-N-SEAL BOOTS FURNISHED BY C.P.C.
- JOINT BETWEEN LID AND VAULT TO BE SEALED WITH 1 ROW OF 1-1/2" BUTYL MASTIC SEALANT PROVIDED BY C.P.C.
- BAFFLE WALL TO BE A SEPARATE POUR AND INSTALLED BY C.P.C. PRIOR TO DELIVERY.
- ALL PIPES AND FITTINGS TO BE PROVIDED BY OTHERS

	WEIGHT/CONCRETE	
LID	3,119 LBS	0.77 CY
BAFFLE	891 LBS	0.22 CY
VAULT	11,544 LBS	2.85 CY
TOTAL	15,554 LBS	3.84 CY

01/26/12

COLORADO PRECAST CONCRETE, Inc.
1820 E. HIGHWAY 402, LOVELAND, CO 80537
(970) 669-0535 FAX (970) 669-0674
www.coloprecast.com

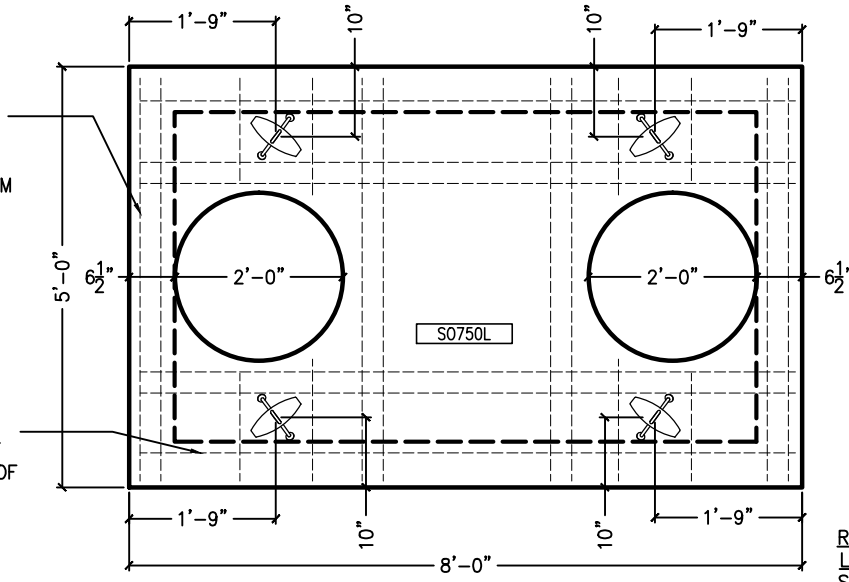


ITEM NAME:

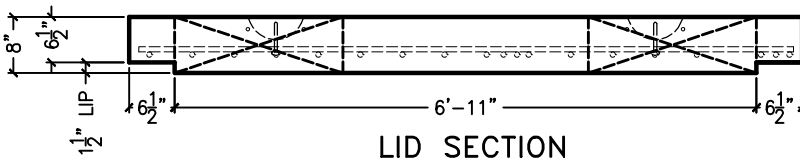
750 GALLON SAND & OIL INTERCEPTOR

ADD'L #6 REBAR
EACH SIDE OF
OPENING
1-1/2" OFF BOTTOM

ADD'L #6 REBAR
EACH SIDE OF LIFT
1-1/2" OFF TOP OF
LID



LID PLAN VIEW



LID SECTION

REINFORCEMENT:

LID:
SHORT BARS: #6 REBAR @ 6" O.C.,
2-1/4" OFF BOTTOM. LONG BARS:
#4 REBAR @ 12" O.C. ON TOP OF
SHORT BARS
**(2) ADD'L #6 REBAR EACH
SIDE OF ACCESS HOLES**

WALLS:

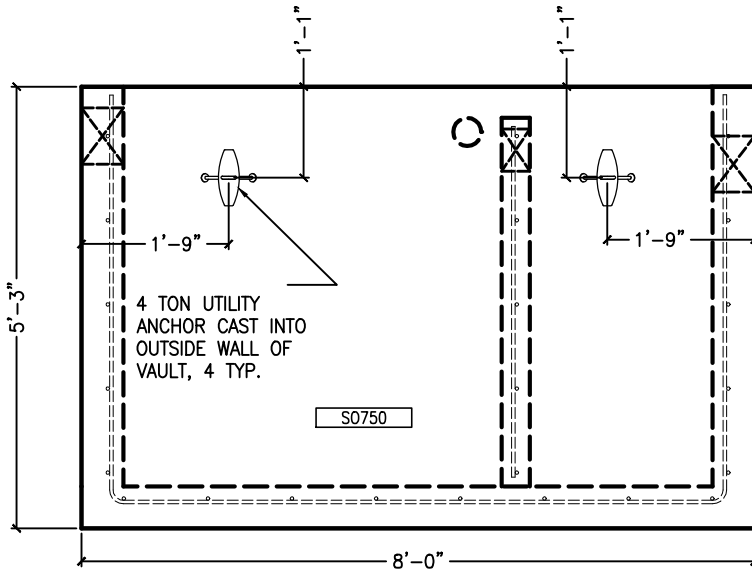
VERTICAL:
#4 U-BAR AT 12" O.C., 1-1/2"
OFF INSIDE OF WALL
HORIZONTAL:
#4 U-BAR @ 12" O.C., OUTSIDE
OF VERTICAL BAR

BAFFLE:

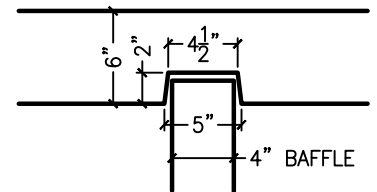
#4 REBAR @ 12" O.C.E.W.,
CENTERED

FLOOR:

#4 U-BAR AT 12" O.C.E.W.,
SHORT BARS @ 1-1/2" OFF
TOP OF FLOOR, LONG BARS
BELOW SHORT BARS
U-BARS EXTEND INTO WALLS



VAULT LIFT LOCATION



NOTCH DETAIL

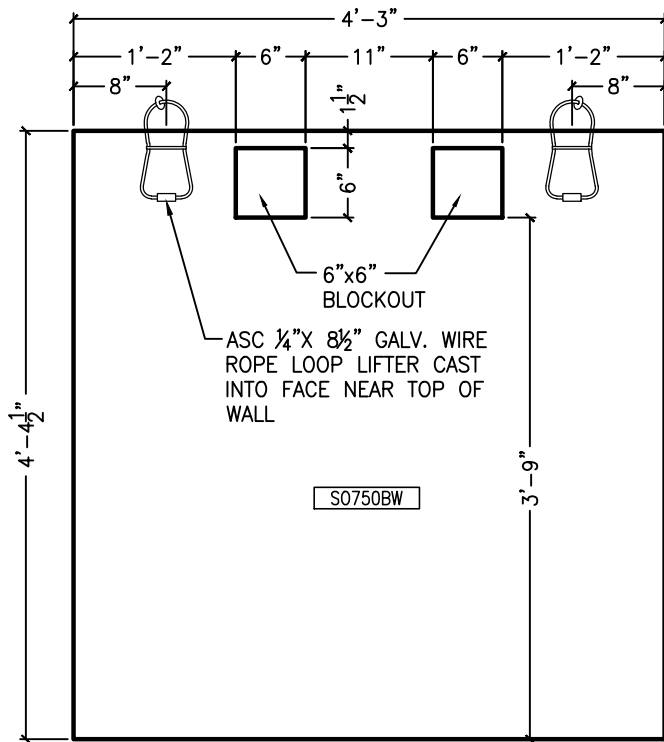
01/26/12

COLORADO PRECAST CONCRETE, Inc.
1820 E. HIGHWAY 402, LOVELAND, CO 80537
(970) 669-0535 FAX (970) 669-0674
www.coloprecast.com

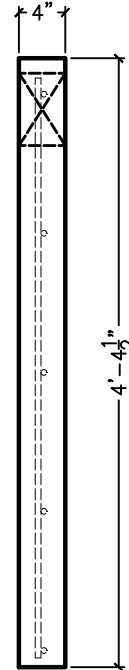


ITEM NAME:

**750 SAND & OIL INTERCEPTOR
REINFORCEMENT**



BAFFLE



SECTION VIEW

BAFFLE IS Poured SEPARATELY AND PLACED IN VAULT PRIOR TO DELIVERY

REINFORCEMENT:
#4 REBAR @ 12" O.C.E.W.,
CENTERED

WEIGHT/CONCRETE:
911 LBS / 0.22 CY

	ITEM NAME		WALLS/FLOOR		BAFFLE		LID	
	DATE	QC	DATE	QC	DATE	QC	DATE	QC
PRE POUR	POUR DATE							
	SCHEDULED DATE							
	REINFORCEMENT							
	MIX#							
	LIFTS							
	BLOCKOUTS							
	GASKETS							
POST POUR	FORM OIL							
	DIMENSIONS							
	STEPS							
	BLOCKOUTS							
FINAL	GASKETS							
	DIMENSIONS							
	STEPS							
	LIFTS							
	BLOCKOUTS							
	GASKETS							
COATING								
DIMENSIONS								

05/27/10

COLORADO PRECAST CONCRETE, Inc.
1820 E. HIGHWAY 402, LOVELAND, CO 80537
(970) 669-0535 FAX (970) 669-0674
www.coloprecast.com



ITEM NAME:

**750 SAND & OIL INTERCEPTOR
BAFFLE DETAILS**