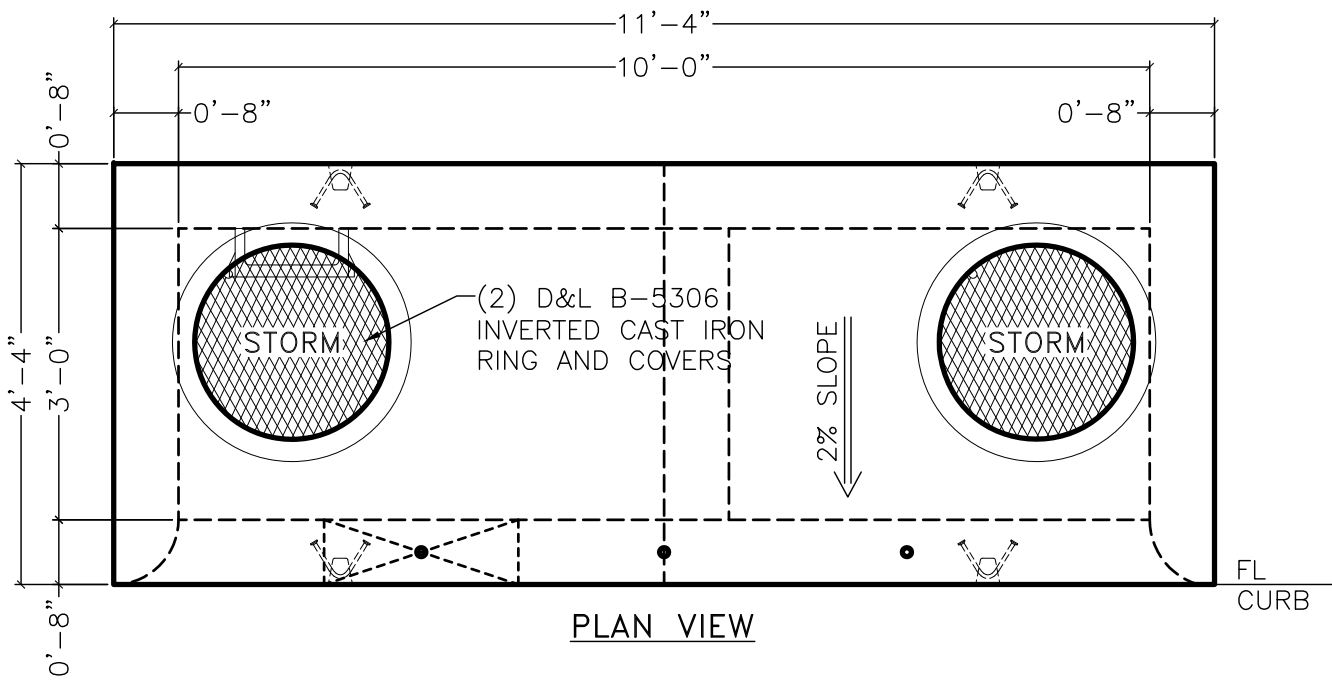
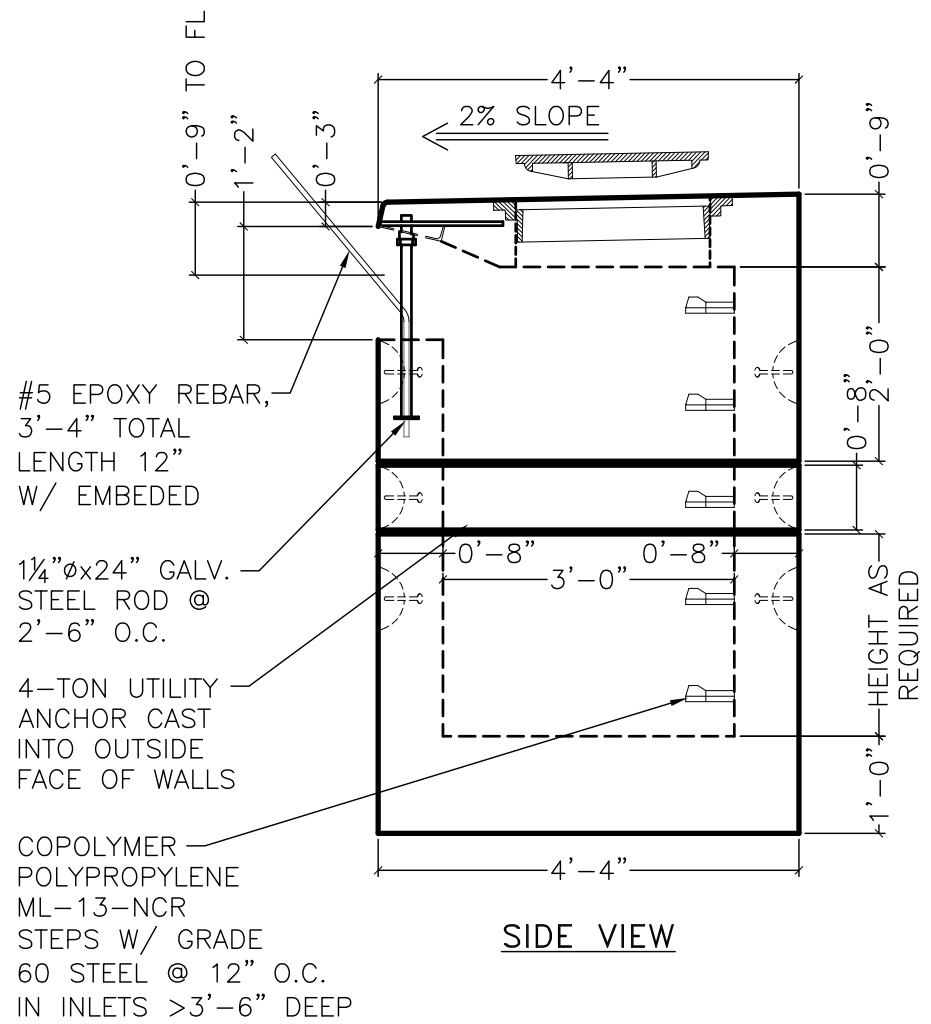
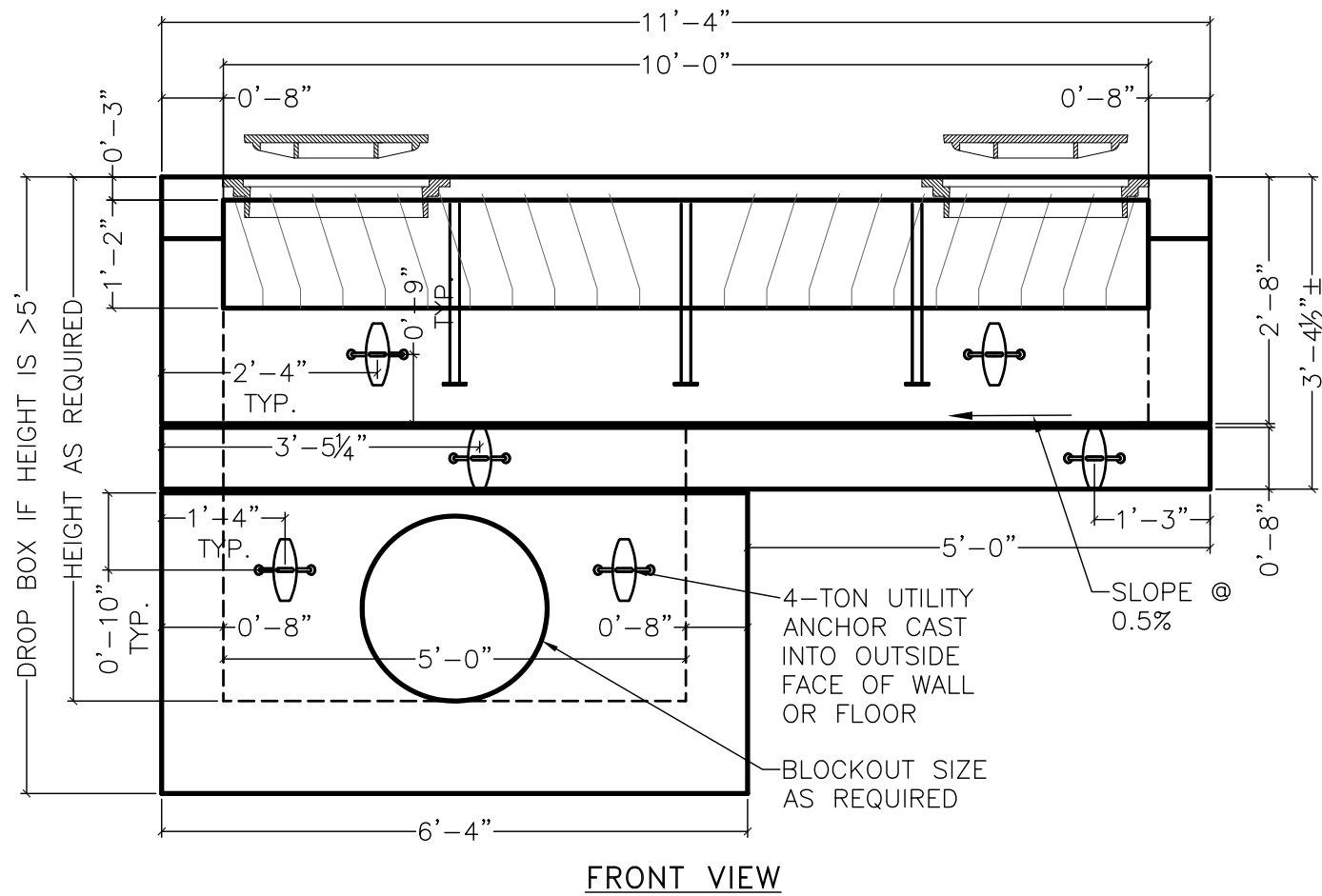
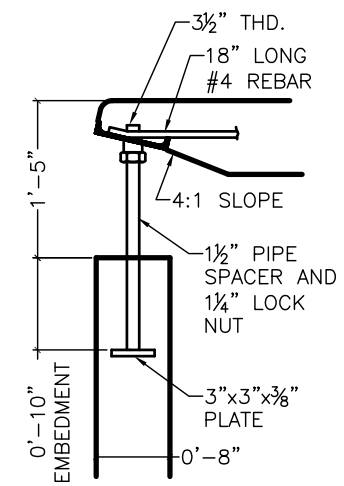


PART NO.	DESCRIPTION	QTY.
CIB5306R	D&L B-5306 INVERTED RING	1
CIA1043CSTAX	D&L A-1043 COVER "STORM" XH APH	1
STEPDRILL	AMERICAN STEP ML-13-NCR STEPS	5
ANCHU4	4-TON UTILITY ANCHOR #6UA444	12



REINFORCEMENT: (EPOXY COATED)  
 INLET TOP  
 LID:  
 SHORT: #5 @ 5½" O.C., LONG #4 @ 8" O.C. 2" OFF BOTTOM OF LID.  
 WALLS: VERTICAL #4 @ 11" O.C. 3" CLEAR OF INSIDE FACE OF WALL, HORIZONTAL #4 @ 9" O.C.  
 BASE:  
 WALLS: VERTICAL #4 @ 6" O.C. 3" OFF INSIDE FACE OF WALL, HORIZONTAL #4 @ 9" O.C.  
 FLOOR: #4 U-BAR @ 6" O.C.E.W., LONG BARS 3" OFF BOTTOM OF FLOOR.  
 SWEEPER FLOOR:  
 #4 @ 11" O.C.E.W. 3" OFF BOTTOM.  
 (2) ADD'L #6 REBAR HOOPS AROUND ACCESS IN LID.  
 ADD'L #4 REBAR HOOP AROUND BLOCKOUTS 2" CLEAR OF EDGE.



WEIGHT / CONCRETE:  
 UPPER PORTION: 14,192 LBS / 3.50 CY  
 LOWER PORTION: 8,400 LBS / 2.07 CY  
 SWEEPER FLOOR: 3,411 LBS / 0.84 CY  
 EACH ADD'L FT: 1,867 LBS / 0.46 CY

NOTE:  
 IT IS THE RESPONSIBILITY OF THE CONTRACTOR TO VERIFY ALL DIMENSIONS AND SPECIFICATIONS

APPROVED BY \_\_\_\_\_ DATE \_\_\_\_\_

Q:\CATALOG-DRAWINGS\CDOT STANDARDS\10 FT TYPE R-CDOT 8/17/2011 4:17 PM

COLORADO PRECAST CONCRETE, Inc.

1820 E. HIGHWAY 402., LOVELAND, CO 80537  
 (970) 669-0535 FAX (970) 669-0674

www.coloprecast.com

ITEM NAME:

M-604-12 10' TYPE R INLET WITH DROP BOX

THIS DOCUMENT IS THE PROPERTY OF COLORADO PRECAST CONCRETE, INC. (C.P.C.) AND IS TO BE USED FOR REFERENCE ONLY. IT SHALL NOT BE REPRODUCED IN ANY WAY HARMFUL TO THE INTERESTS OF C.P.C.