

WEIGHT

3' BOTTOM SECTION = 895 LBS

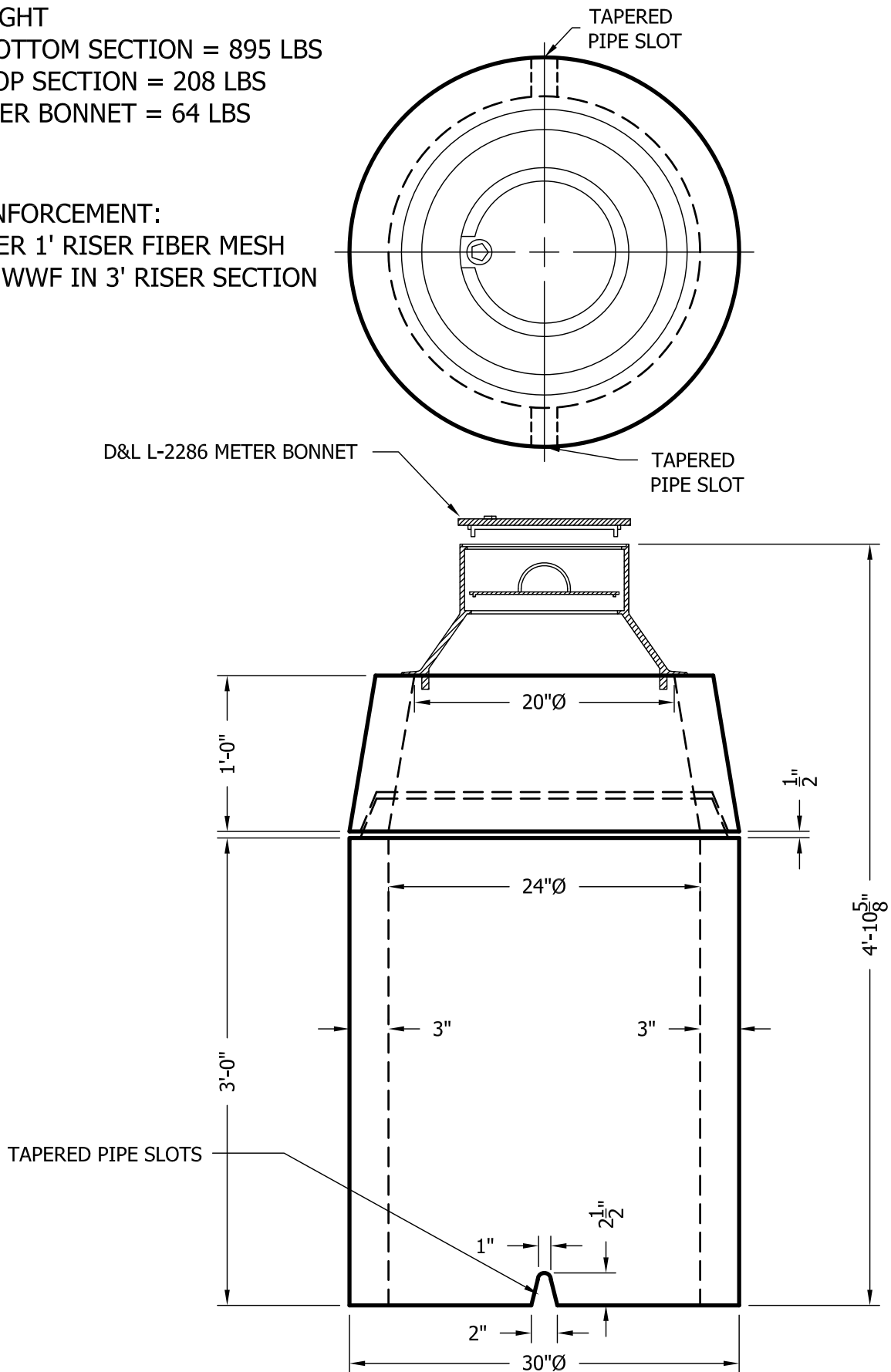
1' TOP SECTION = 208 LBS

METER BONNET = 64 LBS

REINFORCEMENT:

UPPER 1' RISER FIBER MESH

3X8 WWF IN 3' RISER SECTION



COLORADO PRECAST CONCRETE, Inc.

1820 S.E. 14TH ST., LOVELAND, CO 80537

(970) 669-0535 FAX (970) 669-0674

www.coloprecast.com



3/3/06



ITEM NAME:

24"Ø METER PIT